



Circuit Breaker/Switchgear Renewal Parts Catalog

(Low, Medium, and High Voltage)



GE Support Services



GE Support Services

**For your parts needs,
call the GE Parts contact shown below:**

**For more information contact your authorized
GE sales representative or GE distributor.**

**Visit the GE Support Services website at:
www.gess.ge.com**

GE Circuit Breaker/Switchgear Renewal Parts

GE Support Services

...dedicated to providing product support for GE parts and components and GE mature products. Trained sales and marketing specialists are ready to assist you with any product information inquiry. A \$25 million parts inventory insures the best possible service levels to you and your customer, and if we don't have the part in stock, our extensive database assists in locating the product you need or provides substitute items available immediately.

The following pages contain all presently available Switchgear parts that GE Support Services provides. Please contact your local GE distributor or a GE Sales representative regarding any questions you may have regarding all other GE renewal parts and components.

Features	Benefits
Extensive Inventory	—Fill all your parts needs immediately from an extensive stock inventory of over 12,000 items
In-house Parts Experts	—Our experts can assist with product identification, cost, and availability
24-hour Emergency Service	—Available seven days a week
Nationwide Communications Systems	—Tracks orders from entry to shipment so we can locate the parts you need and speed up the shipping process
Automated Warehouse	—Electronic linkage guarantees superior service on all stock and provides reliable, same-day/overnight delivery
Sourcing of Obsolete Parts	—With access to GE prints, GE Support Services can provide you with obsolete factory items
Full Factory Warranties	—Honor all warranties on parts sold through GE Support Services
Repair and Exchange Programs	—Choose from our repair-and-return option or our exchange plan for electronic boards for significant savings
Catalog Information	—Technical publications, catalogs, and price sheets

GE Support Services is your GE source for:

- Power Distribution Parts
 - Circuit Breaker
 - Switchgear
 - Transformer
 - Oil Cutouts
- Industrial Control Parts & Devices
- Drive Parts & Components
- Motor Parts
 - AC (Small, Medium & Large)
 - DC (Small, Medium & Large)
- Power Generation Parts
 - Turbine (Frames 3-2, 5-1 and 5-2)
 - GE Flame Tracker
- Specialty Products
 - Environmental Systems
 - GE Fanuc (Series 1, 1jr, 3 and 5)
 - GE Micro Switch Push Buttons
 - GE Push Buttons (CR103/104 & 080)
 - GE Starters/Contactors (CR700)
 - Molded Case Circuit Breakers (TEL, TEMPL, TFL)
 - Motor Starter Kits
 - Photoelectric Controls (357505/7511)
 - Power Fuses (9F60, 9F62)
 - Switches (QMR & SB)
 - Transportation (Switching Locomotive Parts)
 - Watt-hour Meters & Instruments



GE Circuit Breaker/Switchgear Renewal Parts Catalog

Contents

Low Voltage Circuit Breaker Parts

1. AK-15/25 and AKR-30S Series Circuit Breakers1
2. AKR-30 and AK/AKR-50 Series Circuit Breakers13
3. AKS-50 and AK/AKR-75/100 Series Circuit Breakers37
4. Programmers and Related Parts67

Medium Voltage Circuit Breaker/Switchgear Parts

5. Power/Vac Vacuum Circuit Breaker/Switchgear73
ML-17 and ML-18 Mechanism
6. Magne Blast (Type AM) and GE/Vac Circuit Breakers/Switchgear87
7. Vertical Lift Metal-Clad Switchgear Parts103
M-26 and M-36

High Voltage Circuit Breaker Parts

8. Oil Distribution Circuit Breakers (14.4 to 25.8 kV)109
9. Vacuum Distribution Circuit Breakers (14.4 to 25.8 kV)113
10. Single Tank Oil Circuit Breakers (14.4 to 72.5 kV)117
11. Three Tank Oil Circuit Breakers (14.4 to 72.5 kV)123
12. Three Tank Oil Circuit Breakers (115 to 242 kV)129
13. Air Transmission Circuit Breakers (115 to 550 kV)141

Specialty Breaker Parts

14. DC Breakers147
MC-5 and MC-6; AG-7
15. Station Breakers171
16. Network Protectors203

Conversions/ Modifications/Other

17. Trip Device Conversion Kits219
18. AK/AKR Asbestos Free Arc Quencher Replacement Kits225
19. Other Factory Conversions and Upgrades227
20. Oil Cutouts229

WavePro™ 800-2000 Ampere Power Circuit Breakers

21. Back Frame Assembly and Components238
22. Front Frame Assemblies and Components242
23. Standard Parts and Assemblies243
24. Accessories248
25. Trip Units252

WavePro™ 3200-5000 Ampere Power Circuit Breakers

26. Back Frame Assembly and Components254
27. Front Frame Assembly and Components256
28. Standard Parts and Assemblies257
29. Accessories260
30. Trip Units, Rating Plugs, Target Modules265



GE Circuit Breaker/Switchgear Renewal Parts



Type AK / AKR Low Voltage Power Circuit Breakers

Included in this Section

AKR low-voltage power circuit breakers are intended for use in commercial, industrial and utility applications. Designed for severe duty, AKR breakers are serviceable and suitable for mains, feeders and applications such as motor starting, capacitor switching/generator protection and resistance welding. They are fully rated; that is, the short time rating in most cases is equal to the short circuit rating providing the greatest opportunity for selectivity with downstream devices. The breakers are maintainable and meet ANSI Standard C37.13 and C37.16, as well as applicable UL Standards. There are five frame sizes from 800–4000 amperes with short circuit interrupting ratings to 200 kA symmetrical short circuit without fuses.

AK-2/2A-15

AK/AKU-25

AKR/AKRU-30S

Equipment Identification and Nomenclature Guide

- Equipment Serial Number, Breaker Type, Closing Voltage/Frequency, and Connection Diagram Number (e.g. “B”) are most important for identification purposes.
- Breaker Nameplate is located to the left of the escutcheon on the breaker, and the Electrical Closing Mechanism Nameplate is located on the right of the escutcheon.

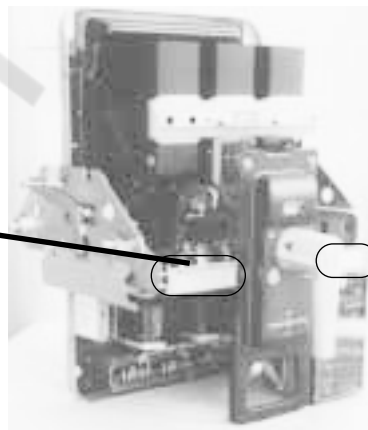
Example: **AK** _ - **10** **D** - **2** **5** _

Code	General Type	Code	Trip Device Type	Code	Mounting Type	Code	Frame Size in Amperes	
AK	Old style LVPC8	2	EC	Blank	Drawout AKD Switchgear	①	AC	DC
AKR	New Style LVPC8	3 ^②	Power Sensor	A	Drawout AKD-5/6 Switchgear	25	600	600
AKRU	Integrally fused version of AKR-30S	4 ^②	ECS	B	Drawout AKR OEM Substructure	30S	800	—
AKU	Integrally fused version of AK-25	5 ^②	SST	D	Drawout AKD-8 Switchgear and OEM Substructure	① Suffix D is affixed to AKR designations to identify non-automatic DC models. e.g. AKR-NB-30D		
		6 ^②	MicroVersa Trip	S	Stationary			
		7 ^②	MicroVersa Trip™ RMS-9					
		8	Epic MicroVersa Trip™					
		9	PowerLeader MVT+, MVTM					
		10	PowerLeader MVT+, MVTM with RMS9C Trip Units					
		N	Non-Automatic					

② Discontinued

GENERAL ELECTRIC		LOW VOLTAGE POWER CIRCUIT BREAKER	
S/N 0343A7383-004-001 ID			
TYPE AK-10D-25			
AMP FRAME SIZE			
MAXIMUM VOLTS AC	RMS SYMMETRICAL RATINGS - KA		
	INST TRIP	W/O INST TRIP	SHORT TIME
635	65	65	65
508	65	65	65
254	65	65	65
635 VOLTS MAX			
50/60 HERTZ			
3 POLES			
INSTR BOOK GE186150		RENEWAL PARTS BULL GEF4149H	
OUTLINE 139C4977		CODE DATE PO48=	
NP266668		PLAINVILLE CONN. MADE IN U.S.A.	

Breaker Nameplate



GENERAL ELECTRIC		ELECTRICAL CLOSING MECHANISM	
CLOSING VOLTAGE			
120	VOLTS	60	CYCLES
OPERATING RANGE			
104	TO	127	VOLTS
CONNECTION 183B7128-G125			
DIAGRAM			
MADE IN U.S.A.		PLAINVILLE CONN. NP266192	

Electrical Closing Mechanism Nameplate

Figure 1: AK-2/2A-15 and AK/AKU-25 Power Circuit Breaker Nameplate Data



2 Low Voltage Circuit Breaker Parts

Table 1–1, AK–2/2A–15, AK/AKU–25 and AKR/AKRU–30S Power Circuit Breaker

Fig. Ref.	Ref. No.	Description	Catalog Number				
			AK–2/2A–15	AK–25	AKU–25	AKR–30S	AKRU–30S
1A	1A/B	Anti–Pump Relay “W” & “Y” – R Connection Diagram	Table 1B				
1A, 1B	2	Arc Quencher / Chute – AC	293B288G1		293B288G2		
1A, 1B	3	Arc Quencher Clamp / Retainer	269C273G2				
NI	–	Auxiliary Switch (Electroswitch) – 2A & 2B	184L701AUG12				
1H	4	Auxiliary Switch (Electroswitch) – 5A & 5B	184L701AUG13				
1E	5	Back Frame (Complete)	N/A		184L700BFG23		
1C	6	Back Plate	107D7564P1		107D7564P2		
1C	7	Barrier between Phases	295B460P1		N/A		
1G	8	Bell Alarm Assembly	Table 1J				
NI	–	Bell Alarm Lockout Device	184L701BAG1				
1A	9	Closing Push Button Switch (includes insulator, mtg. hardware, and label)	622C529G1				
1A	10	Closing Relay “X”	Table 1B				
1B	11	Closing Solenoid Coil – Complete	Table 1B				
1B	12	Contact Finger	192A9669P1				
NI	–	Control Relay	N/A		Table 1C		
NI	–	Control Relay Mounting	N/A		343L747G74		
1C, 1D	13	Crossbar Assembly	269C277G1				
1A	14	Cut–off Switch Assembly	N/A		622C505G1		
NI	–	Electrical Lockout Device for UNDV Device – AKD – 5	N/A		101C7842G1		
NI	–	Electrical Lockout Device for UNDV Device – Non AKD – 5	N/A		695C186G5		
1A	15	Escutcheon	Table 1D				
NI	–	Flux Shift Trip Device	N/A		323A6138G2	343L747G9	343L747G33
1F	16	Front Frame and Mechanism, Electric Breaker	N/A		184L700FMG26		
1F	16	Front Frame and Mechanism, Electric w/ Handle	184L700FMG27		N/A		
1F	18	Front Frame and Mechanism, Manual Breaker	N/A		184L700FMG25		
NI	–	Fuse Adapter	N/A		669D843G1	N/A	425D445G1
NI	–	Fuse Mounting and OFLO – AKD	N/A		184L700FLG3	N/A	184L700FLG5
NI	–	Fuse Mounting and OFLO – AKD– 5	N/A		184L700FLG4	N/A	184L700FLG5
NI	–	Fuses	N/A		Table 1P	N/A	Table 1P
1A	19	Handle (Operating / Charging)	669D807P1		286A8096G3		
1C	20	Insulation (under lower stud)	193A1873P1				
NI	–	Insulation for Stud, Arc Quencher Clamp	148A1926P4				
NI	–	Insulation for Upper Stud, Front	269C260G2				
1C	21	Insulation for Upper Stud, Rear	269C260G1				
NI	–	Lifting Device / Breaker Spreader	673D0500050201		0569B0595P001		
1B	22	Link and Bushing for Auxiliary Switch	846C0865G2		846C0865G2		
NI	–	Link Assembly (order with shaft asm.)	101C7891G2		101C7891G2		
1C	23	Lower Stud Assembly (not used on AK–3/3A)	N/A		269C258G1	286A8711G1	
NI	–	Lubricant (red) / Grease for Drawout Breaker	282A2048P9				
1B	24	Magnet / Armature Assembly (must supply control voltage when ordering)	622C521G3		N/A		
1K	25	Maintenance Closing Handle	286A8863G1				
1A	26	Manual Trip Button	269C268P1				
NI	–	Movable Contact Pivot Pin (center pole)	269C280P1				
NI	–	Movable Contact Pivot Pin (outside pole)	269C280P2				
1D	27	Movable Contact Spring	412A208P1				

NI: Not illustrated in section.

N/A: Not applicable.

Table 1-1, AK-2/2A-15, AK/AKU-25 and AKR/AKRU-30S Power Circuit Breaker, Cont'd.

Fig. Ref.	Ref. No.	Description	Catalog Number				
			AK-2/2A-15	AK-25	AKU-25	AKR-30S	AKRU-30S
1B, 1C, 1D	28	Movable Main Contact Arm Assembly	269C257G15				
4A	-	MVT Tapped CTS (See Section 4)	N/A	Table 4A			
4B	-	MVT Fixed CT Sensor (See Section 4)	N/A	Table 4B			
4C	-	Neutral CT Sensor Disconnects (See Section 4)	N/A	Table 4C			
NI	-	MVT Neutral CT Sensor (See Section 4)	N/A	Table 4E			
NI	-	MVT Sensor Amp Indicator (See Section 4)	N/A		Table 4F		
NI	-	MVT Programmer Mounting (See Section 4)	N/A		Table 4G		
4E	-	MVT PM Programmer (See Section 4)	Table 4H				
4F	-	MVT+ Programmer (See Section 4)	N/A	Table 4H			
NI	-	Neutral Sensor Disconnect Plug - Cubicle (See Section 4)	N/A	343L747G80			
1A	30	Open / Close Indicator	259C608G1				
NI	-	Open Fuse Lock-Out (OFLO) Control Device	N/A	108C9667G1	N/A	108C9667G2	
NI	-	Operations Counter	845C264G1				
1C	31	Pivot	269C258G3				
1B	32	Primary Disconnect Assembly	Table 1E				
NI	-	Racking Crank	193A1990P1		568B731G1		
NI	-	Racking Mechanism for Drawout Breaker	N/A		184L700D0G37		
NI	-	Return Spring - Rear of Escutcheon	148A2238P1				
1A	29	Secondary Disconnect (Movable) Device	Table 1F				
NI	-	Secondary Disconnect (Stationary) - Cubicle Mounted	21700011500		0176D7926G001		
1A	33	Shaft Assembly - Manual Breaker (order with link assembly)	101C7891G1				
1A, 1I	34	Shunt Trip Device	Table 1K, 1L				
1C	35	Spring (back of pivot)	269C280P8				
1C	36	Spring (outside poles)	412A250P1				
1D	37	Spring Clip	269C277P11				
NI	-	Spring Clip (center pole)	269C280P5				
NI	-	Spring for Manual Trip Button	412A133P1				
1B	38	Spring for Primary Disconnect	192A6990P166				
1B	39	Spring for Stationary Contact Assembly	412A286P1		192A6990P387		
1B	40	Spring for Trip Latch	412A290P1				
NI	-	Stationary Main Contact - Brazed Tip in Center	N/A		286A8858G3		
NI	-	Stationary Main Contact - Brazed Tip on Left	N/A		286A8858G1		
NI	-	Stationary Main Contact - Brazed Tip on Right	N/A		286A8858G2		
1C, 1D	41	Stationary Main Contact - Left	805B910G1		N/A		
1C, 1D	42	Stationary Main Contact - Right	805B910G2		N/A		
NI	-	Stud Connection	N/A		286A8843P1		
1C	43	Stud, Arc Quencher Clamp	269C280P4		393A993P9		
1C	44	Support (intermediate)	269C280P6				
1C	45	Support (outside)	269C280P7				
NI	-	Terminal Board - 6 point	21700005000		N/A		
1L	46	Terminal Board - 10 point	21700010000		N/A		
NI	-	TRIP Label	269C268P12				
1J	47	Undervoltage Device With No UNDV Time Delay	Table 1M				
NI	-	Undervoltage Device With UNDV Time Delay	Table 1N				
1C, 1D	48	Upper Stud Assembly	N/A		569B582G1		

NI: Not illustrated in section.

N/A: Not applicable.



4 Low Voltage Circuit Breaker Parts

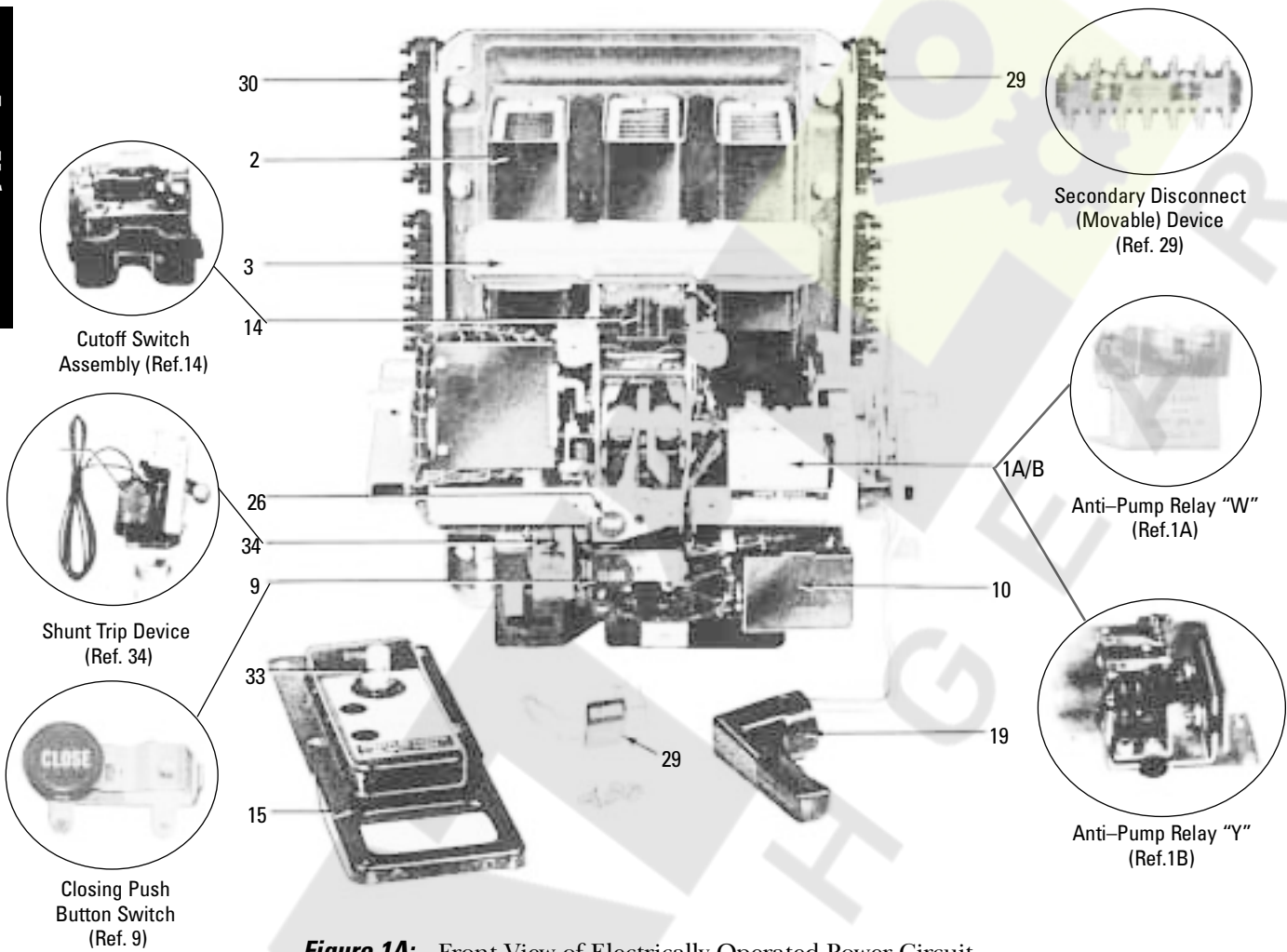


Figure 1A: Front View of Electrically Operated Power Circuit Breaker (Escutcheon removed and dismantled)

Table 1A, Front View of Power Circuit Breaker				
Fig. No.	Ref. No.	Description	Catalog Number	
			AK-2/2A-15 AK/AKU-25	AKR-30S AKRU-30S
1A	1A	Anti-Pump Relay "W"—R Connection Diagram	N/A	Table 1B
1A	1B	Anti-Pump Relay "Y"—R Connection Diagram	Table 1B	N/A
1A	2	Arc Quencher/Chute-AC	293B288G1	293B288G2
1A	3	Arc Quencher Clamp/Retainer	269C273G2	
1A	9	Closing Push Button Switch (includes insulator, mtg. hardware, and label)	622C529G1	
1B	10	Closing Relay "X"	Table 2B	
1A	14	Cut-off Switch Assembly	622C505G1#	
1A	15	Escutcheon	Table 1C	
1A	19	Handle (Operating / Charging)	669D807P1	286A8096G3
1A	26	Manual Trip Button	269C268P1	
1A	29	Open/Close Indicator	259C608G1	
1A	30	Secondary Disconnect (Movable)	Table 1D	
NI	—	Secondary Disconnect (Stationary)—Cubicle Mounted	21700011500	0176D7926G001
1A	33	Shaft Asm. (manual breaker) (order with link assembly)	101C7891G1	
1A, 1I	34	Shunt Trip Device	Table 1K, 1L	

Not available for AK-2/2A-15 Breaker
N/A: Not applicable.

For more information contact your authorized GE sales representative or GE distributor.

Table 1B, Relays and Closing Solenoid Coils –See Figure 1A

Breaker Type		AK-2/2A-15 AK/AKU-25	AKR-30S AKRU-30S			AK-2/2A-15, AK/AKU-25 AKR/AKRU-30S					
Voltage (V)	Frequency (Hz)	Anti-Pump "Y" Relay	Anti-Pump "W" Relay	"K" Relay		Closing "X" Relay			Closing Solenoid Coil		
48	DC	295B444	P2	192A9771	P1	192A9770	P13	192A9770	P1	366A773	G17
125			P3		P2		P14		P2		G13
250			P4		P3		N/A		P3		G15
120	60		P5		P4		P15		P4		G1*
			50		208		60		50		P5
60	50										240
			60	50	380	50	480	60	50	P7	
60	50									480	60
			60	50	480	60	50	P9	P9		
60	50							480	60	50	P16
		60	50	480	60	50	N/A				N/A

**Not recommended for AKD-8 application

For AK-2/2A-15, AK/AKU-25 breakers only

The "Y", "W", and "X" Relays are used with type R Connection Diagrams. The "K" Relay is used with type B Connection Diagrams. The type of Connection Diagram is found on the Electrical Closing Mechanism nameplate.

Table 1C, Control Relays**

Breaker Type	Frequency (Hz)	Breaker Closing Voltage (V)	Catalog Number
AK-25 AKU-25	25	120	G8
		208	G11
		240	G14
		480	G18
	50	120	G7
		208	G10
		240	G13
		380	G15
		480	G17
		120	G6
	60	208	G9
		240	G12
		480	G16
	DC	48DC	G3
		125DC	G4
250DC		G5	
AKR-30S AKRU-30S	50	120	G24
		208	G26
		240	G28
	60	120	G23
		208	G2
		240	G27
	DC	48DC	G20
		125DC	G21
		250DC	G22

** Includes Anti-pump and Closing Relays, Cut-off Switch, and Closing Solenoid Coil



6 Low Voltage Circuit Breaker Parts

Table 1D, Escutcheon –See Figure 1A

Breaker Type	Local Switch	Operation	Catalog Number	
AK-2/2A-15 AK/AKU-25	Yes	Manual	343L747	G37
	No			G38
	Yes	R-Elec		G39
	No			G40
	Yes	H-Elec		G41
	No			
AKR/AKRU-30S	Yes	Manual	259C607	G5
	No			
	No	R-Elec		P15

Table 1E, Primary Disconnect Assembly –See Figure 1B

Breaker Type	AC/DC	Trip Type	Stud	Catalog Number	
AK-2/2A-15 AK/AKU-25	AC/DC	MVT	All	343L747	G1
		NA	Lower		
		SST	All		
	DC (2 Pole)	EC	Lower		G13
	DC (3 Pole)		Lower		G14
AKR-30S AKRU-30S	AC/DC	All	All	192A9668	G15

Table 1F, Secondary Disconnect (Movable) Device –See Figure 1A

Breaker Type	Application		Secondary Terminal Block	Catalog Number		
AK-2/2A-15 AK/AKU-25	Stationary	—	6-Point	184L701TB	G6	
			10-Point		G10	
	Drawout	AKD	—	7-Point	184L700D0	G23
				14-Point		G24
				21-Point		G25
				28-Point		G26
		AKD-5		7-Point		G27
				14-Point		G28
				21-Point		G29
				28-Point		G30
	AKR/AKRU-30S	Stationary	—	6-Point	184L701TB	G6
			10-Point	G10		
AKRU-30S	Drawout	—	7-Point	568B510	G6	
			14-Point		G3	
			21-Point		G4	
AKR-30S			7-Point		G5	
			14-Point		G1	
		21-Point	G2			

—Any legitimate alternative condition.

For more information contact your authorized GE sales representative or GE distributor.

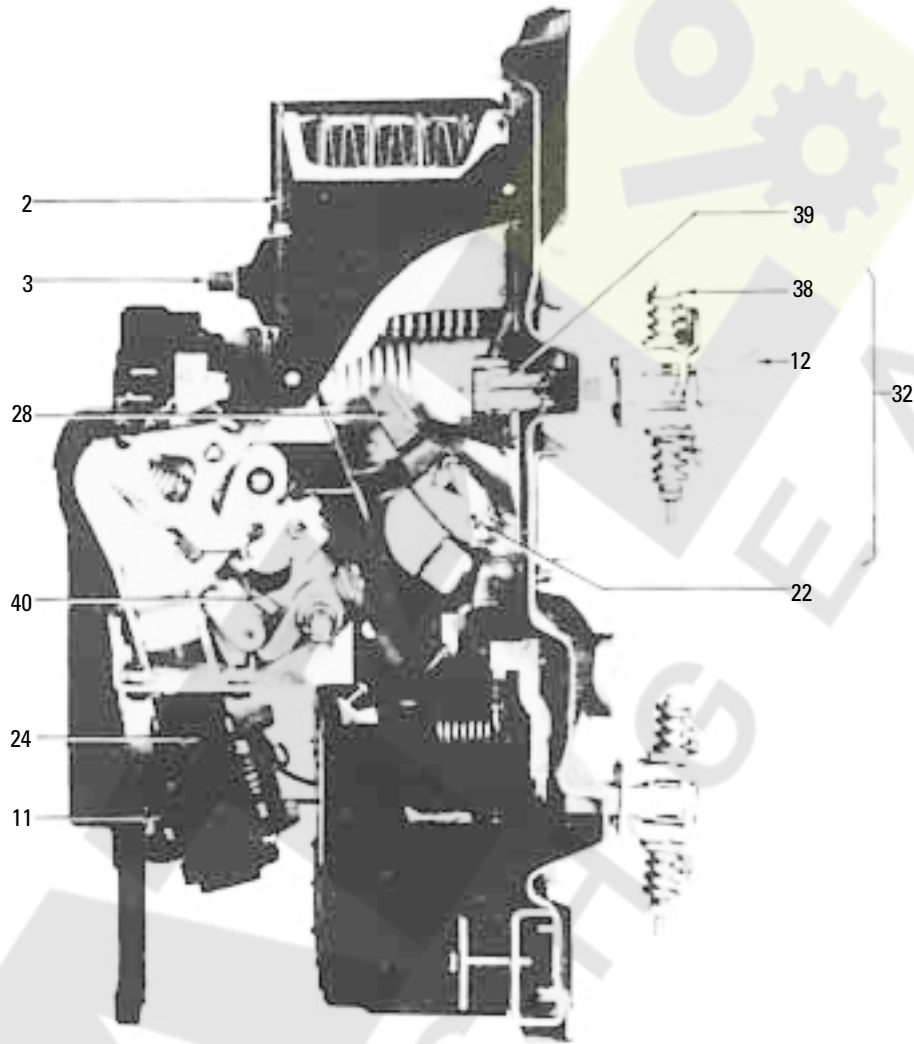


Figure 1B: Side View of Electrically Operated Power Circuit Breaker

Table 1G, Side View of Power Circuit Breaker

Fig. No.	Ref. No.	Description	Catalog Number	
			AK-2/2A-15 AK/AKU-25	AKR-30S AKRU-30S
1A, 1B	2	Arc Quencher/Chute-AC	293B288G1	293B288G2
1A, 1B	3	Arc Quencher Clamp/Retainer	269C273G2	
1B	11	Closing Solenoid Coil (Complete) for Electrically Operated Breaker	Table 1B	
1B	12	Contact Finger	192A9669P1	
1B	22	Link and Bushing for Auxiliary Switch	846C865G1	
1B	24	Magnet/Armature Assembly	622C521G3	N/A
1B	28	Movable Main Contact Arm Assembly	269C257G15	
1B	32	Primary Disconnect Assembly	Table 1E	
1B	38	Spring for Primary Disconnect	192A6990P166	
1B	39	Spring for Stationary Contact Assembly	412A286P1	192A6990P387
1B	40	Spring for Trip Latch	412A290P1	

N/A: Not applicable.



8 Low Voltage Circuit Breaker Parts

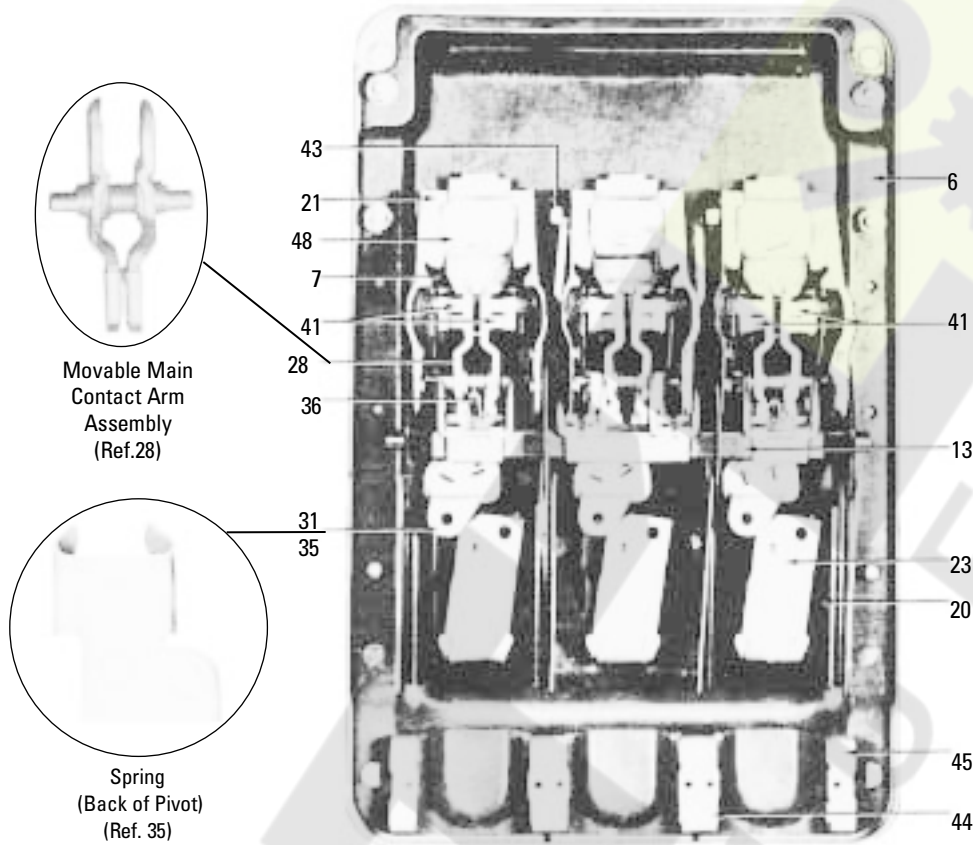


Figure 1C: Back View of Electrically Operated Power Circuit Breaker (Operating Mechanism Removed)

Table 1H, Back View of Power Circuit Breaker			Catalog Number		
			AK-2/2A-15	AK/AKU-25	AKR/AKRU-30S
Fig. No.	Ref. No.	Description			
1E	5	Back Frame (Complete)	N/A	184L700BFG23	184L700BFG22
1C	6	Back Plate		107D7564P1	
1C	7	Barrier		295B460P1	
1C, 1D	13	Crossbar Assembly		269C277G1	
1F	16	Front Frame Assembly, Electric	184L700FMG27		184L700FMG23
1F	16	Front Frame Assembly, Electric with Handle	184L700FMG26		N/A
1F	18	Front Frame Assembly, Manual	184L700FMG25		184L700FMG22
1C	20	Insulation (under lower stud)		193A1873P1	
NI	–	Insulation for Upper Stud, Front		269C260G2	
1C	21	Insulation for Upper Stud, Rear		269C260G1	
1C	23	Lower Stud Assembly (not used on AK-3/3A)	N/A	269C258G1	286A8711G1
1D	27	Movable Contact Spring		412A208P1	
1B, 1C, 1D	28	Movable Main Contact Arm Assembly		269C257G15	
1C	31	Pivot		269C258G3	
1C	35	Spring (back of pivot)		269C280P8	
1C	36	Spring (outside poles)		412A250P1	
1D	37	Spring Clip		269C277P11	
NI	–	Stationary Main Contact–Brazen Tip in Center	N/A		286A8858G3
NI	–	Stationary Main Contact–Brazen Tip in Left	N/A		286A8858G1
NI	–	Stationary Main Contact–Brazen Tip in Right	N/A		286A8858G2
1C, 1D	41	Stationary Main Contact–Left	805B910G1		N/A
1C, 1D	42	Stationary Main Contact–Right	805B910G2		N/A
1C	43	Stud, Arc Quencher Clamp	269C280P4		393A993P9
1C	44	Support (intermediate)		269C280P6	
1C	45	Support (outside)		269C280P7	
1C, 1D	48	Upper Stud Assembly		269C283G2	

NI: Not illustrated in section.

N/A: Not applicable.

For more information contact your authorized GE sales representative or GE distributor.

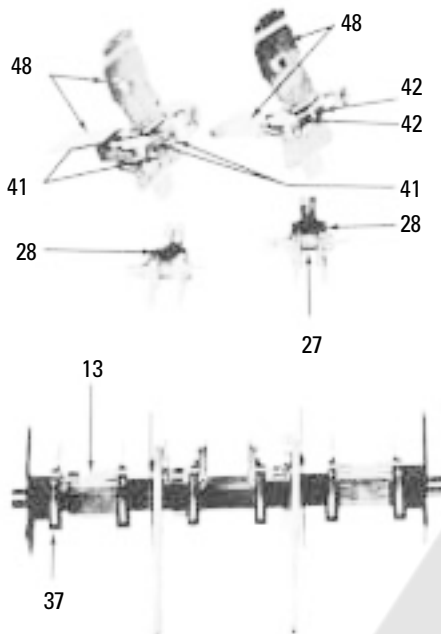
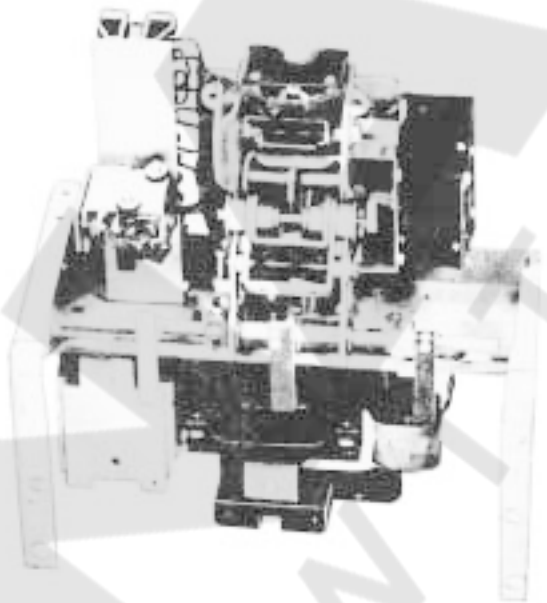


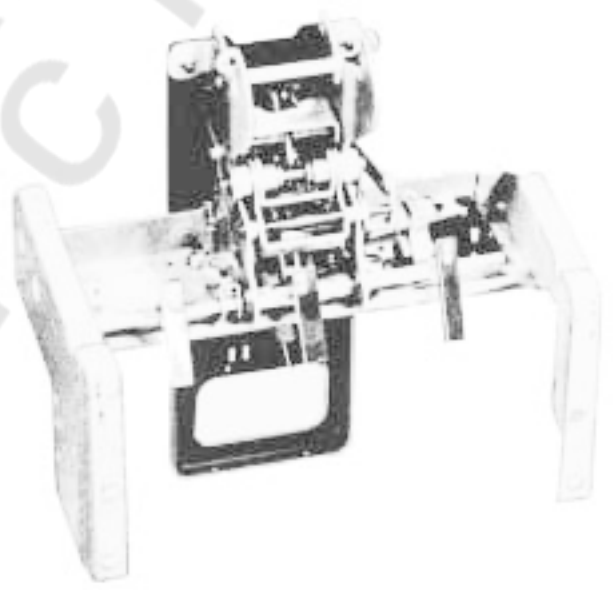
Figure 1D: Interior View of Moving/Stationary Contacts and Crossbar Assembly



Figure 1E: Back Frame (Complete)–(Ref. 5)



Electric–(Ref.16)



Manual–(Ref.18)

Figure 1F: Front Frame and Mechanism Assembly, Electric and Manual



10 Low Voltage Circuit Breaker Parts

**Table 1I, Auxiliary Switch (Electroswitch)
–See Fig. 1G**

Ref. No.	Description	Catalog Number
4	Auxiliary Switch (Electroswitch)–2A & 2B	184L701AUG12
4	Auxiliary Switch (Electroswitch)–5A & 5B	184L701AUG13

Note: 5A & 5B denotes a 5 stage auxiliary switch

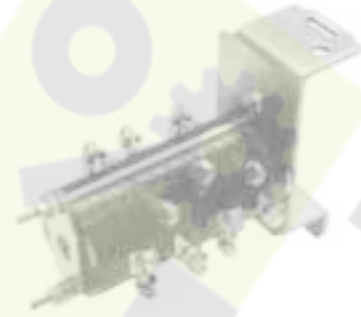


Figure 1G: Auxiliary Switch (Electroswitch) 5A & 5B –(Ref.4)



Figure 1H: Bell Alarm Assembly –(Ref. 8)

Table 1J, Bell Alarm Assembly –See Figure 1H

Breaker Type	Lockout	Bell Alarm Contacts	Catalog Number
AK–2/2A–15	With**	1NO & 1NC	184L701BA
AK/AKU–25		2NC	
AKR/AKRU–30S	With–out	2NO	

**Lockout Device (184L701BAG1) must be ordered separately.
NO=Normally Open, NC=Normally Closed

**Table 1K, Shunt Trip Device for Breakers with
No Undervoltage Release –See Figures 1A, 1I**

Breaker Type	Voltage Frequency (Hz)	Shunt Trip Voltage (V)	Catalog Number
AK–2/2A–15 AK/AKU–25 AKR/AKRU–30S	25	120	G8
		208	G11
		240	G14
		480	G18
		575	G21
	50	120	G7
		208	G10
		240	G13
		380	G15
		480	G17
	60	575	G20
		70	G22
		120	G6
		208	G9
		240	G12
	DC	480	G16
		575	G19
		24DC	G2
		48DC	G3
		125DC	G4
		250DC	G5

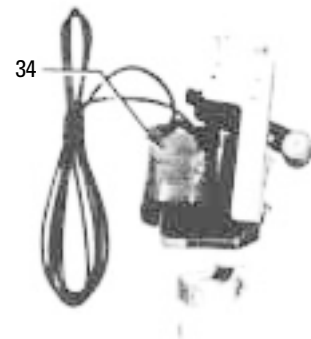


Figure 1I: Shunt Trip Device –(Ref. 34)

Table 1L, Shunt Trip Device for Breakers with Undervoltage or Electrical Lockout—See Fig. 1A, 1I

Breaker Type	Frequency (Hz)	Shunt Trip Voltage (V)	Catalog Number
AKRU-30S	50	120	G29
		208	G30
		240	
	60	120	G28
		208	G30
		240	
	DC	45DC	G25
		125DC	G26
		250DC	G27

Table 1M, Undervoltage Trip Device with No UNDV Time Delay—See Figure 1J

Breaker Type	Frequency (Hz)	UNDV Volts (V)	Catalog Number
AK-2/2A-15 AK-25 AKU-25 AKR-30S AKRU-30S	25	120	G8
		208	G11
		240	G14
		480	G18
		575	G21
	50	120	G7
		208	G10
		240	G13
		380	G15
		480	G17
		575	G20
		60	120
	208		G9
	240		G12
	480		G16
	DC	575	G19
		24DC	G2
		48DC	G3
		125DC	G4
		250DC	G5

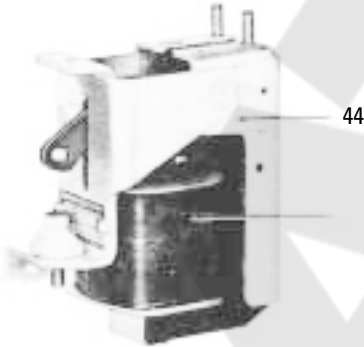


Figure 1J: Undervoltage (UNDV) Device—(Ref. 47)

Table 1N, Undervoltage Trip Device with UNDV Time Delay (Instaneous)—See Figure 1J

Breaker Type	UNDV Volts (V)	Catalog Number
AK-2/2A-15	240	G13
AK/AKU-25	380	G15
AKR/AKRU-30S	480	G17
	575	G20



12 Low Voltage Circuit Breaker Parts

Table 1P, Miscellaneous Items

Fig. No.	Ref. No.	Description	Catalog Number
1K	25	Maintenance Closing Handle	286A8863G1
1L	46	Terminal Board–10 point	21700010000



Figure 1K: Maintenance Closing Handle–(Ref.25)

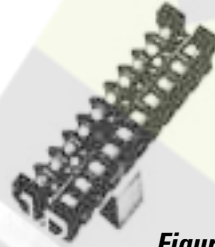


Figure 1L: Terminal Board –(Ref. 46)

Table 1Q1, Fuses (Gould–Shawmut)

Fuse Rating	Obsolete GE Catalog Number	Gould # Equiv. Catalog Number	Class
150A	GF8B150	A4J150	J
200A	GF8B200	A4J200	
225A	GF8B225	A4J225	
250A	GF8B250	A4J250	
300A	GF8B300	A4J300	
350A	GF8B350	A4J350	
400A	GF8B400	A4J400	
450A	GF8B450	A4J450	
500A	GF8B500	A4J500	
600A	GF8B600	A4J600	
601A	GF8B601	A4BY601	L
650A	GF8B650	A4BY650	
700A	GF8B700	A4BY700	
800A	GF8B800	A4BY800	
1000A	GF8B1000	A4BY1000 BG#	
1200A	GF8B1200	A4BY1200 BG#	
1400A	GF8B1400	N/A	
1600A	GF8B1600	A4BY1600 BG#	
2000A	GF8B2000	A4BY2000	
2500A STD	GF8B2500	A4BY2500	

Suffix or type BG denotes cut–out on tang.

General Electric Type J and L fuses are now obsolete, and no longer used in type AKRU low–voltage power circuit breakers.

Gould–Shawmut fuses are now used. The chart cross–references the obsolete GE catalog number and the replacement Gould–Shawmut catalog numbers.

Table 1Q2, Allowable Fuse Sizes

Breaker Type	Rating Plug Rating	Max. Gould–Shawmut Class "L" Fuse Size	Min. Gould–Shawmut Class "L" Fuse Size	Min. Gould–Shawmut Class "J" Fuse Size
AKU–25	600A and Below	1200A	800A	300A
AKRU–30S	800A	1600A	1000A	–
	700A	1600A	800A	–
	600A	1600A	800A	600A
	400A	1600A	–	400A
	300A	1600A	–	300A
	225A and Below	1600A	–	300A

Type AK / AKR Low Voltage Power Circuit Breakers

Included in this Section

AKR low-voltage power circuit breakers are intended for use in commercial, industrial and utility applications. Designed for severe duty, AKR breakers are serviceable and suitable for mains, feeders and applications such as motor starting, capacitor switching/generator protection and resistance welding. They are fully rated; that is, the short time rating in most cases is equal to the short circuit rating providing the greatest opportunity for selectivity with downstream devices. The breakers are maintainable and meet ANSI Standard C37.13 and C37.16, as well as applicable UL Standards. There are five frame sizes from 800–4000 amperes with short circuit interrupting ratings to 200 kA symmetrical short circuit without fuses.

AKR/AKRU–30, AKR–30H AKJ/AKJU–50, AKJ/AKJT– 50H AK/AKU/AKT–50 (Obsolete Breaker)
AKR/AKRU–50, AKR/AKRT–50H

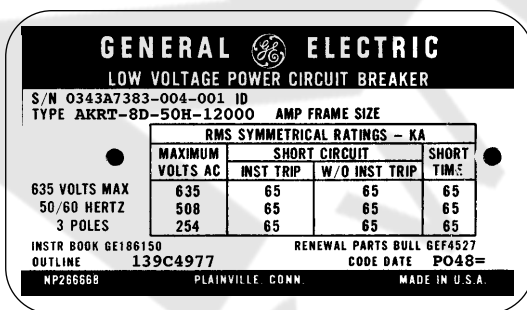
Equipment Identification and Nomenclature Guide

- Equipment Serial Number, Breaker Type, Closing Voltage/Frequency, and Connection Diagram Number (e.g. “B”) are most important for identification purposes.
- Breaker Nameplate is located to the left of the escutcheon on the breaker, and the Electrical Closing Mechanism Nameplate is located on the right of the escutcheon.

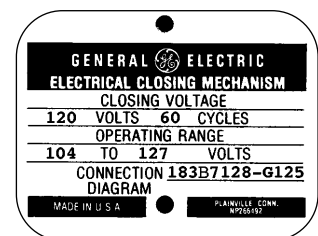
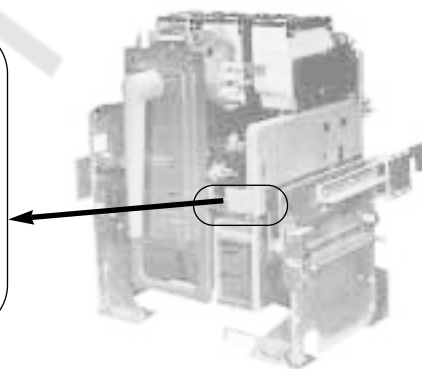
Example: **AKRT – 8 D – 5 0 H**

Code	General Type	Code	Trip Device Type	Code	Mounting Type	Code	Frame Size in Amperes	
AKS	AKR replacement for AK–50, AKJ–50	2	EC	Blank	Drawout AKD Switchgear	①	AC	DC
AKST	AKRT replacement for AKT–50, AKJT–50	3 ^②	Power Sensor	A	Drawout AKD–5/6 Switchgear	30, 30H	800	800
AKSU	AKRU replacement for AKU–50, AKJU–50	4 ^②	ECS	B	Drawout AKR OEM Substructure	50, 50H	1600, 2000	2000
AKR	New Style LVPC8	5 ^②	SST	D	Drawout AKD–8 Switchgear and OEM Substructure	① Suffix D is affixed to AKR designations to identify non-automatic DC models. e.g. AKR–NB–30D		
AKRT	2000A frame	6 ^②	MicroVersa Trip	S	Stationary			
AKRU	Integrally fused version of AKR–50	7 ^②	MicroVersa Trip™ RMS–9					
		8	Epic MicroVersa Trip™					
		9	PowerLeader MVT+, MVTPM					
		10	PowerLeader MVT+, MVTPM with RMS9C Trip Units					
		N	Non-Automatic					

② Discontinued



Breaker Nameplate



Electrical Closing Mechanism Nameplate (not shown)

Figure 2: AKR/AKRT Power Circuit Breaker Nameplate Data



14 Low Voltage Circuit Breaker Parts

Table 2-1, AKR/AKRU-30 and AKR-30H Power Circuit Breaker

Fig. Ref.	Ref. No.	Description	Catalog Number		
			AKR-30	AKRU-30	AKR-30H
2D	1	Adjustable Link for Manual Mechanism	192A9552G2		
2D, 2F	2	Adjusting Screw for Contact Assembly	192A9554P1		
2A	3	Anti – Pump Relay “W” – R Connection Diagram	Table 2B		
2I	60	Arc Quencher / Chute – AC	425D404G7	425D404G8	
NI	–	Arc Quencher / Chute – DC (2 Pole)	425D404G2	N/A	
NI	–	Arc Quencher Retainer – AC	193A1169P1		
NI	–	Arc Quencher Retainer – DC	193A1348P1	N/A	
2E, 2F	4	Arc Runner	192A9902G1		
2L	61	Auxiliary Switch (Electroswitch)	Table 2M		
NI	–	Barrier (Horizontal)	139C4611P1		
NI	–	Barrier (Interphase) – Inside	568B545P1		
NI	–	Barrier (Vertical) – Outside Left	568B408G2		
NI	–	Barrier (Vertical) – Outside Right	568B408G1		
NI	–	Barrier (Vertical) Rivets – qty 2	791A862P66		
2M	62	Bell Alarm Assembly	Table 2N		
2C	5	Blocking Plate Link	192A9629P1		
2G	6	Bracket and Lever Assembly	568B541G1		
2D	7	Buffer Paddle Assembly for Trip Shaft	192A9651G1		
2D	8	Channel Insulation	192A9631P1		
2A	9	Charge / Discharge Indicator	568B518G1		
NI	–	Charge / Discharge Label	192A7029P123		
NI	–	Charge / Discharge Spring	192A6990P151		
2A	10	Charging Motor	Table 2B		
2C	11	CLOSE Button for Manual Breaker	192A9616G1		
NI	–	CLOSE Label	192A7029P147		
2A	13	Closing Push Button Switch (includes insulator, mtg. hardware, and label)	192A9717G1		
NI	–	Closing Relay “X” – R Connection Diagram	Table 2B		
2A	14	Closing Solenoid Coil (CC)	Table 2B		
NI	–	Closing Solenoid – Remote	Table 2O		
2C	15	Closing Solenoid Switchette (used in D.C. control only)	192A7153P3		
2C	16	Closing Spring Assembly	192A9585G3	192A9585G4	
2G	17	Closing Spring Discharge Linkage	568B557G1		
NI	–	Contact Finger	192A9669P1		
NI	–	Control Relays (Includes Anti – Pump and Closing Relay)	Table 2C		
NI	–	Coupling Pin for Movable Contact Assembly	192A7573P111		
2A	18	Cut-off Switch (2NC)	009921661P002		
2A	19	Cut-off Switch (2NO)	009921661P001		
2C	20	Drawout Mounting Stud & Bracket Assembly – Front	192A9685G1		
2C	21	Drawout Mounting Stud – Rear	192A6976P53		
NI	–	Electrical Lockout Device for UNDV Device	139C4628G1		
NI	–	Escutcheon, (Deep) – Electric Breaker, B-type D/O only	568B265G2		
NI	–	Escutcheon, (Deep) – Manual Breaker, B-type D/O only	568B265G1		
NI	–	Escutcheon, (Standard) – Electric Breaker	139C4612P1		
2C	22	Escutcheon, (Standard) – Manual Breaker made after June 1977	139C4610G1		
2C	22	Escutcheon, (Standard) – Manual Breaker made before June 1977	139C4610G3		

NI: Not illustrated in section.

N/A: Not applicable.

Table 2-1, AKR/AKR-30 and AKR-30H Power Circuit Breaker, Cont'd.

Fig. Ref.	Ref. No.	Description	Catalog Number		
			AKR-30	AKRU-30	AKR-30H
NI	–	Flux Shift Trip Device	425D366G85		
NI	–	Fuse Mounting Assembly	N/A	Table 2L	N/A
NI	–	Fuses	N/A	Table 2J	N/A
2A	24	Gear / Ratchet and Roller Assembly	343L731G1		
2C	25	Handle (Operating / Charging) for AKD-8	286A8096G1		
2C	25	Handle (Operating / Charging) for non AKD-8	425D403P1		
2D	26	Handle Crank Cam for Manual Breaker	192A9536G2		
NI	–	Insulated Link Pin for Contact Assembly	192A7573P110		
NI	–	Insulating Coupling Link Assembly	192A9664G2		
2A	12	“K” Relay – B Connection Diagram	Table 2B		
NI	–	Lifting Device / Breaker Spreader for OEM Equipment	0247B8961G002		
NI	–	Lifting Device / Breaker Spreader for AKD-8 Equipment	673D0500050202		
2D, 2F	27	Link (Plastic) for Movable Contact Assembly	134C2127G1		
2D	28	Link (Steel) for Movable Contact Assembly	192A9841P1		
NI	–	Lubricant / Grease for Drawout Breaker	282A2048P9		
NI	–	Maintenance Closing Handle	568B386G1		
NI	–	Mechanism Assembly, Electric Breaker	139C4616G2		
2D	29	Mechanism Assembly, Manual Breaker	139C4616G1		
2C	30	Molded Pole Base – AKD-6	172RE350G1		
NI	–	Molded Pole Base – AKD-8	911E318P1		
2F	31	Movable Main Contact – Left	N/A		
2F	32	Movable Main Contact – Right	N/A		
2E	–	Movable Main Contact	192A9511G3		
4B	–	MVT Fixed CT Sensor (See Section 4)	Table 4B		
4C	–	MVT Neutral CT Sensor Disconnects (See Section 4)	Table 4C		
NI	–	MVT Neutral CT Sensor (See Section 4)	Table 4E		
NI	–	MVT Sensor Amp Indicator (See Section 4)	Table 4F		
NI	–	MVT Programmer Mounting (See Section 4)	Table 4G		
4E	–	MVT PM Programmer (See Section 4)	Table 4H		
4F	–	MVT+ Programmer (See Section 4)	Table 4H		
2D	34	OPEN / CLOSE Indicator, Electric Breaker	568B522G1		
2D	34	OPEN / CLOSE Indicator, Manual Breaker	568B520G1		
2D	35	Open / Close Link to Main Shaft	192A9542P1		
2N	36	Open Fuse Lock-Out (OFLO) – AKD-8	N/A	425D409G1	N/A
2N	36	Open Fuse Lock-Out (OFLO) – non AKD-8	N/A	425D370G1	N/A
NI	–	Open Fuse Lock-Out (OFLO) Harness	N/A	Table 2Q	N/A
NI	–	Operations Counter	139C4626G1		
NI	–	Pawl, Driving	323A6080G1		
NI	–	Pawl, Holding / Ratchet	323A6082G1		
NI	–	Pawl, Holding Pawl on Ratchet Roller Gear	323A6082G1		
2F	37	Pivot for Movable Contact	N/A		
2E	64	Pivot, Inner, for Movable Contact	192A9882G1		
2E	65	Pivot, Outer, for Movable Contact	192A9845P1		
2F	38	Pivot, Lower Left, for Movable Contact	N/A		
2F	39	Pivot, Lower Right, for Movable Contact	N/A		

NI: Not illustrated in section.

N/A: Not applicable.



16 Low Voltage Circuit Breaker Parts

Table 2-1, AKR/AKRU-30 and AKR-30H Power Circuit Breaker, Cont'd.

Fig. Ref.	Ref. No.	Description	Catalog Number		
			AKR-30	AKRU-30	AKR-30H
2F	40	Pivot, Upper Left, for Movable Contact	N/A		
2F	41	Pivot, Upper Right, for Movable Contact	N/A		
NI	–	Pivot for Pawl Spring	192A9594P1		
NI	–	Pivot for Stationary Arcing Contact	N/A		
NI	–	Plunger for Stationary Arcing Contact	N/A		
NI	–	Positive Interlock	568B593G1		
2J	66	Primary Disconnect Assembly	Table 2H		
2G	42	Prop	192A9545G1		
NI	–	Racking Crank	193A1990P1		
2H	43	Racking Mechanism for Drawout Breaker	139C4618G1		
NI	–	Racking Screw Shutter – Slide Door	192A9618G1		
NI	–	Racking Screw Shutter Label	192A7029P148		
NI	–	Racking Screw Shutter Spring	192A6990P159		
NI	–	Rackout Plug Button	N529P53B		
NI	–	Rubber Buffer – Left	568B378G1		
NI	–	Rubber Buffer – Right	568B378G2		
2C, 2K	44	Secondary Disconnect (Movable) Device	Table 2I		
NI	–	Secondary Disconnect (Stationary) – Cubicle Mounted	0176D7926G001		
NI	–	Secondary Disconnect Harness – Drawout Breakers	425D367G1		
NI	–	Secondary Disconnect Harness – Stationary Breakers	425D367G2		
NI	–	Secondary Disconnect Insulation	192A9767P1		
2E, 2F	45	Shaft for Movable Contact Pivot	192A9843P1		
2O	56	Shunt Trip Device	Table 2R		
2D	46	Spring (Opening)	192A6990P153		
NI	–	Spring for CLOSE Button	192A6990P143		
NI	–	Spring for Closing Spring Discharge Linkage (torsion)	192A6990P157		
NI	–	Spring for Handle Return	192A6990P142		
2E, 2F	47	Spring for Movable Contact Pivot	192A6990P190		
NI	–	Spring for Pawl (torsion)	192A6990P207		
2E, 2F	48	Spring for Stationary Contact Assembly	192A9509G1		
NI	–	Spring for Trip Button	192A6990P370		
NI	–	Spring, inner, for Stationary Arcing Contact	192A9509G1		
NI	–	Spring, middle, for Stationary Arcing Contact	192A9509G1		
NI	–	Spring, outer, for Stationary Arcing Contact	192A9509G1		
2E	58	Stationary Arcing Contact	192A9847G1		
2F	49	Stationary Arcing Contact – Left	N/A		
2F	50	Stationary Arcing Contact – Right	N/A		
2F	51	Stationary Intermediate Contact	N/A		
2E, 2F	52	Stationary Main Contact	192A9847G2		
NI	–	Stud Connection – AC Breaker	425D366G6	425D366G3	
NI	–	Terminal Board for Stationary Breaker – 10 point	192A8227P7		
NI	–	Terminal Board for Stationary Breaker – 6 point	192A8227P6		
2C	53	Trip Button and Rod	192A9572G2		
NI	–	TRIP Label	192A7029P126		
2C	54	Trip Paddle / Latch (Drawout)	192A9605G1		
2D	55	Trip Shaft	568B524G1		
2Q	57	Undervoltage Device With No UNDV Time Delay	Table 2S		
NI	–	Undervoltage Device With UNDV Time Delay	Table 2T		
2C	59	Window, Clear Plastic	192A9613P1		

NI: Not illustrated in section.

N/A: Not applicable.

For more information contact your authorized GE sales representative or GE distributor.

Table 2-2, AKR/AKJ-50/50H, AKRU/AKJU-50, AKRT/AKJT-50H Power Circuit Breaker

Fig. Ref.	Ref. No.	Description	Catalog Number			
			AKR-50 AKJ-50	AKRU-50 AKJU-50	AKR-50H AKJ-50H	AKRT-50H AKJT-50H
2D	1	Adjustable Link for Manual Mechanism	192A9552G2			
2D, 2F	2	Adjusting Screw for Contact Assembly	192A9554P1			
2A	3	Anti – Pump Relay “W” – R Connection Diagram	Table 2B			
2I	60	Arc Quencher / Chute – AC	425D404G9		425D404G10	
NI	–	Arc Quencher / Chute – DC (2 Pole)	425D404G1	N/A		
NI	–	Arc Quencher Retainer – AC	193A1169P1			
NI	–	Arc Quencher Retainer – DC	193A1348P1	N/A		
2E, 2F	4	Arc Runner	568B504G1			
2L	61	Auxiliary Switch (Electroswitch)	Table 2M			
NI	–	Barrier (Horizontal)	139C4611P1			
NI	–	Barrier (Interphase) – Inside	568B545P1			
NI	–	Barrier (Vertical) – Outside Left	568B408G2			
NI	–	Barrier (Vertical) – Outside Right	568B408G1			
NI	–	Barrier (Vertical) Rivets – qty 2	791A862P66			
2M	62	Bell Alarm Assembly	Table 2N			
2C	5	Blocking Plate Link	192A9629P1			
2G	6	Bracket and Lever Assembly	568B541G1			
2D	7	Buffer Paddle Assembly for Trip Shaft	192A9651G1			
2D	8	Channel Insulation	192A9631P1			
2A	9	Charge / Discharge Indicator	568B518G1			
NI	–	Charge / Discharge Label	192A7029P123			
NI	–	Charge / Discharge Spring	192A6990P151			
2A	10	Charging Motor	Table 2B			
2C	11	CLOSE Button for Manual Breaker	192A9616G1			
NI	–	CLOSE Label	192A7029P147			
2A	13	Closing Push Button Switch (includes insulator, mtg. hardware, and label)	192A9717G1			
NI	–	Closing Relay “X” – R Connection Diagram	Table 2B			
2A	14	Closing Solenoid Coil (CC)	Table 2B			
NI	–	Closing Solenoid – Remote	Table 2O			
2C	15	Closing Solenoid Switchette (used in D.C. control only)	192A7153P3			
2C	16	Closing Spring Assembly	192A9585G1	N/A	192A9585G1	N/A
2G	17	Closing Spring Discharge Linkage	568B557G1			
NI	–	Contact Finger	192A9669P1			
NI	–	Control Relays (Includes Anti – Pump and Closing Relay)	Table 2C			
NI	–	Coupling Pin for Movable Contact Assembly	192A7573P111			
2A	18	Cut-off Switch (2NC)	009921661P002			
2A	19	Cut-off Switch (2NO)	009921661P001			
2C	20	Drawout Mounting Stud & Bracket Assembly – Front	192A9685G1			
2C	21	Drawout Mounting Stud – Rear	192A6976P53			
NI	–	Electrical Lockout Device for UNDV Device	139C4628G1			
NI	–	Escutcheon, (Deep) – Electric Breaker, B-type D/O only	568B265G2			
NI	–	Escutcheon, (Deep) – Manual Breaker, B-type D/O only	568B265G1			
NI	–	Escutcheon, (Standard) – Electric Breaker	139C4612P1			
2C	22	Escutcheon, (Standard) – Manual Breaker made after June 1977	139C4610G1			
2C	22	Escutcheon, (Standard) – Manual Breaker made before June 1977	139C4610G3			
NI	–	Flux Shift Trip Device	425D366G85			
NI	–	Fuse Mounting Assembly	N/A	Table 2L	N/A	
NI	–	Fuses	N/A	Table 2J	N/A	Table 2J

NI: Not illustrated in section.

N/A: Not applicable.



18 Low Voltage Circuit Breaker Parts

Table 2-2, AKR/AKJ-50/50H, AKRU/AKJU-50, AKRT/AKJT-50H Power Circuit Breaker

Fig. Ref.	Ref. No.	Description	Catalog Number			
			AKR-50 AKJ-50	AKRU-50 AKJU-50	AKR-50H AKJ-50H	AKRT-50H AKJT-50H
2A	24	Gear / Ratchet and Roller Assembly	343L731G1			
2C	25	Handle (Operating / Charging) for AKD-8 & non AKD-8	568B386G1			
2D	26	Handle Crank Cam for Manual Breaker	192A9536G2			
NI	-	Insulated Link Pin for Contact Assembly	192A7573P110			
NI	-	Insulating Coupling Link Assembly	192A9664G1		192A9664G3	
2A	12	"K" Relay – B Connection Diagram	Table 2B			
NI	-	Lifting Device / Breaker Spreader for OEM Equipment	0247B8961G002			
NI	-	Lifting Device / Breaker Spreader for AKD-8 Equipment	673D0500050202			
2D, 2F	27	Link (Plastic) for Movable Contact Assembly	134C2127G1			
2D	28	Link (Steel) for Movable Contact Assembly	192A9597P1		193A1411P1	
NI	-	Lubricant / Grease for Drawout Breaker	282A2048P9			
NI	-	Maintenance Closing Handle	568B386G1			
NI	-	Mechanism Assembly, Electric Breaker	139C4616G2			
2D	29	Mechanism Assembly, Manual Breaker	139C4616G1			
2C	30	Molded Pole Base – AKD-6	172RE350G1			
NI	-	Molded Pole Base – AKD-8	911E318P1			
2F	31	Movable Main Contact – Left	192A9511G1		192A9977G1	
2F	32	Movable Main Contact – Right	192A9511G2		192A9977G2	
2E	-	Movable Main Contact	N/A			
4B	2	MVT Fixed CT Sensor (See Section 4)	Table 4B			
4C	3	MVT Neutral CT Sensor Disconnects (See Section 4)	Table 4C			
NI	-	MVT Neutral CT Sensor (See Section 4)	Table 4E			
NI	-	MVT Sensor Amp Indicator (See Section 4)	Table 4F			
NI	-	MVT Programmer Mounting (See Section 4)	Table 4G			
4E	5	MVT PM Programmer (See Section 4)	Table 4H			
4F	6	MVT+ Programmer (See Section 4)	Table 4H			
2D	34	OPEN / CLOSE Indicator, Electric Breaker	568B522G1			
2D	34	OPEN / CLOSE Indicator, Manual Breaker	568B520G1			
2D	35	Open / Close Link to Main Shaft	192A9542P1			
2N	36	Open Fuse Lock-Out (OFL) – AKD-8	N/A	425D409G1	N/A	425D409G1
2N	36	Open Fuse Lock-Out (OFL) – non AKD-8	N/A	425D370G1	N/A	425D370G1
NI	-	Open Fuse Lock-Out (OFL) Harness	N/A	Table 2Q	N/A	Table 2Q
NI	-	Operations Counter	139C4626G1			
NI	-	Pawl, Driving	323A6080G1			
NI	-	Pawl, Holding / Ratchet	323A6082G1			
NI	-	Pawl, Holding Pawl on Ratchet Roller Gear	323A6082G1			
2F	37	Pivot for Movable Contact	192A9912G1		N/A	
2E	64	Pivot, Inner, for Movable Contact	N/A			
2E	65	Pivot, Outer, for Movable Contact	N/A			
2F	38	Pivot, Lower Left, for Movable Contact	N/A		192A9972P2	
2F	39	Pivot, Lower Right, for Movable Contact	N/A		192A9972P1	
2F	40	Pivot, Upper Left, for Movable Contact	N/A		192A9972P4	
2F	41	Pivot, Upper Right, for Movable Contact	N/A		192A9972P3	
NI	-	Pivot for Pawl Spring	N/A		192A9594P1	
NI	-	Pivot for Stationary Arcing Contact	N/A		192A9514P1	

NI: Not illustrated in section.

N/A: Not applicable.

Table 2-2, AKR/AKJ-50/50H, AKRU/AKJU-50, AKRT/AKJT-50H Power Circuit Breaker

Fig. Ref.	Ref. No.	Description	Catalog Number			
			AKR-50 AKJ-50	AKRU-50 AKJU-50	AKR-50H AKJ-50H	AKRT-50H AKJT-50H
NI	–	Plunger for Stationary Arcing Contact	192A9544G1			
NI	–	Positive Interlock	568B593G1			
2J	66	Primary Disconnect Assembly	Table 2H			
2G	42	Prop	192A9545G1			
NI	–	Racking Crank	193A1990P1			
2H	43	Racking Mechanism for Drawout Breaker	139C4618G1			
NI	–	Racking Screw Shutter – Slide Door	192A9618G1			
NI	–	Racking Screw Shutter Label	192A7029P148			
NI	–	Racking Screw Shutter Spring	192A6990P159			
NI	–	Rackout Plug Button	N529P53B			
NI	–	Rubber Buffer – Left	568B378G1			
NI	–	Rubber Buffer – Right	568B378G2			
2C, 2K	44	Secondary Disconnect (Movable) Device	Table 2I			
NI	–	Secondary Disconnect (Stationary) – Cubicle Mounted	0176D7926G001			
NI	–	Secondary Disconnect Harness – Drawout Breakers	425D367G1			
NI	–	Secondary Disconnect Harness – Stationary Breakers	425D367G2			
NI	–	Secondary Disconnect Insulation	192A9767P1			
2E, 2F	45	Shaft for Movable Contact Pivot	192A9602P1	192A9985P1		
2O	56	Shunt Trip Device	Table 2R			
2D	46	Spring (Opening)	192A6990P153			
NI	–	Spring for CLOSE Button	192A6990P143			
NI	–	Spring for Closing Spring Discharge Linkage (torsion)	192A6990P157			
NI	–	Spring for Handle Return	192A6990P142			
2E, 2F	47	Spring for Movable Contact Pivot	192A6990P190			
NI	–	Spring for Pawl (torsion)	192A6990P207			
2E, 2F	48	Spring for Stationary Contact Assembly	192A9509G1			
NI	–	Spring for Trip Button	192A6990P370			
NI	–	Spring, inner, for Stationary Arcing Contact	198A6990P148			
NI	–	Spring, middle, for Stationary Arcing Contact	192A6990P147	N/A		
NI	–	Spring, outer, for Stationary Arcing Contact	192A6990P146			
2E	58	Stationary Arcing Contact	N/A			
2F	49	Stationary Arcing Contact – Left	568B509G4			
2F	50	Stationary Arcing Contact – Right	568B509G3			
2F	51	Stationary Intermediate Contact	192A9505G2			
2E, 2F	52	Stationary Main Contact	192A9505G1			
NI	–	Stud Connection – AC Breaker	425D366G4		425D366G5	
NI	–	Terminal Board for Stationary Breaker – 10 point	192A8227P7	N/A	192A8227P7	
NI	–	Terminal Board for Stationary Breaker – 6 point	192A8227P6	N/A	192A8227P6	
2C	53	Trip Button and Rod	192A9572G2			
NI	–	TRIP Label	192A7029P126			
2C	54	Trip Paddle / Latch (Drawout)	192A9605G1			
2D	55	Trip Shaft	568B524G1			
2Q	57	Undervoltage Device With No UNDV Time Delay	Table 2S			
NI	–	Undervoltage Device With UNDV Time Delay	Table 2T			
2C	59	Window, Clear Plastic	192A9613P1			

NI: Not illustrated in section.
N/A: Not applicable.



20 Low Voltage Circuit Breaker Parts

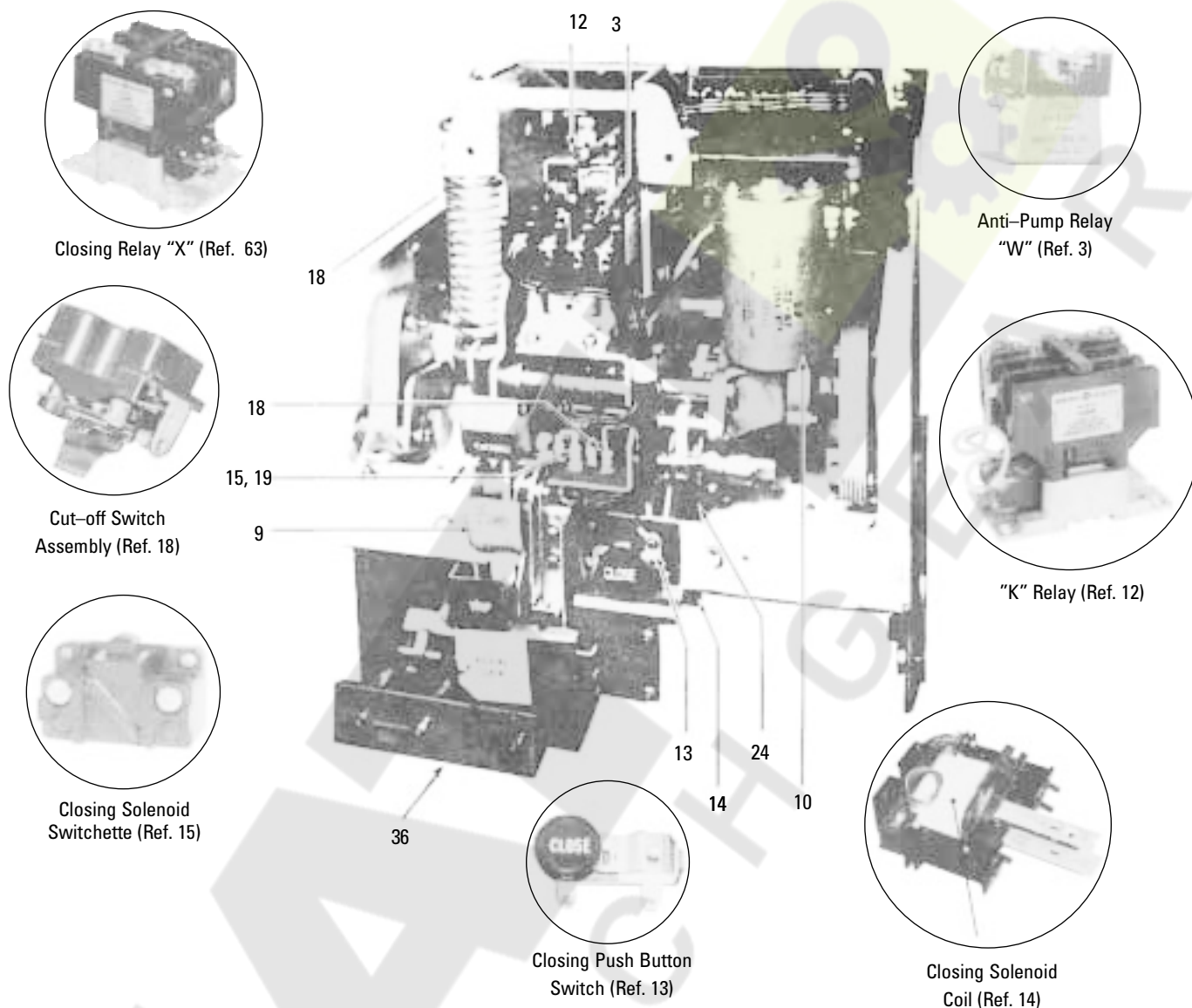


Figure 2A: Front View of Electrically Operated with Front Escutcheon Removed

Table 2A, Front View of Power Circuit Breakers

Fig. No.	Ref. No.	Description	Catalog Number
2A	3	Anti-Pump Relay "W" – R Connection Diagram	Table 2B
2A	9	Charge/Discharge Indicator	568B518G1
2A	10	Charging Motor	Table 2B
2A	12	"K" Relay – B Connection Diagram	Table 2B
2A	13	Closing Push Button Switch (includes insulator, mtg. hardware, and label)	192A9717G1
2A	63	Closing Relay "X"	Table 2B
2A	14	Closing Solenoid Coil (CC)	Table 2B
2A	15	Closing Solenoid Switchette (used in D.C. control only)	192A7153P3
2A	18	Cut-off Switch (2NC)	00921661P002
2A	19	Cut-off Switch (2NO)	00921661P001
2A	24	Gear/Ratchet and Roller Assembly	343L731G1

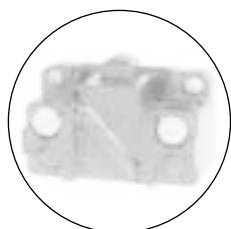
Table 2B, Relays, Closing Solenoid Coil and Charging Motor – See Fig. 2A												
Breaker Type	Voltage (V)	Frequency (Hz)	Closing "X" Relay		Anti-Pump "W" Relay		"K" Relay		Closing Solenoid Coil		Charging Motor	
AKR/AKRU-30 AKR-30H AKR/AKRU-50 AKJ/AKJU-50 AKR/AKRT-50H AKJ/AKJT-50H	48	DC	192A9770	P1	192A9771	P1	192A9770	P13	192A9794	P1	568B596	G4
	125			P2		P2		P14		P2		G5
	250			P3		P3		N/A		P3		G6
	120	60		P4		P4		P15		P4		G5
		50		P5		P5		P16		P5		G6
	208	60		P6		P6				P6		
		50		P7		P7				P7		
	240	60		P8								
		50		P9								

The "X", and "W" Relays are used with type R Connection Diagrams. The "K" Relay is used with type B Connection Diagrams. The type of Connection Diagram is found on the Electrical Closing Mechanism nameplate.

Table 2C, Control Relays**				
Breaker Type	Voltage Operation	Closing Frequency	Voltage (V)	Catalog Number
AKR/AKRU-30 AKR-30H AKR/AKRU-50 AKJ/AKJU-50 AKR/AKRT-50H AKJ/AKJT-50H	B-Elec (QC-Elec)	50HZ	120	G19
			208	G20
			240	G21
		60HZ	120	G13
			208	G17
			240	G14
		DC	48DC	G18
			125DC	G15
			139C4619	
	E-Elec	50	120	G29
			240	G31
			120	G28
		60	240	G30
			48DC	G25
			125DC	G26
		DC	250DC	G27

**Includes Relays, Cut-off Switch, Closing Solenoid Coil, and Charging Motor.





Closing Solenoid Switchette (Ref. 15)

15
5

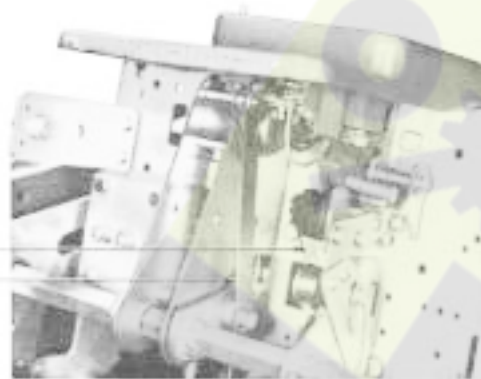


Figure 2B: Blocking Plate Link and Closing Switchette

Table 2D, Front View of Power Circuit Breakers

Fig. No.	Ref. No.	Description	Catalog Number
2B	5	Blocking Plate Link	192A9629P1
2C	11	CLOSE Button for Manual Breaker	192A9616G1
2B	15	Closing Solenoid Switchette (used in D.C. control only)	192A7153P3
2C	20	Drawout Mounting Stud & Bracket Assembly – Front	192A9685G1
2C	21	Drawout Mounting Stud – Rear	192A6976P53
NI	–	Escutcheon, (Deep) – Electric Breaker, B-type D/O only	568B265G2
NI	–	Escutcheon, (Deep) – Manual Breaker, B-type D/O only	568B265G1
NI	–	Escutcheon, (Standard) – Electric Breaker	139C4612P1
2C	22	Escutcheon, (Standard) – Manual Breaker made after June 1977	139C4610G1
2C	22	Escutcheon, (Standard) – Manual Breaker made before June 1977	139C4610G3
2C	25	Handle (Operating/Charging) for AKD-8	286A8096G1
2C	25	Handle (Operating/Charging) for non AKD-8	425D403P1
2C	30	Molded Pole Base-AKD-6	172RE350G1
2C, 2K	44	Secondary Disconnect (Movable) Device for Drawout Breakers	Table 2I
NI	–	Secondary Disconnect (Stationary) – Cubicle Mounted	0176D7926G001
NI	–	Secondary Disconnect Harness – Drawout Breakers	425D367G1
NI	–	Secondary Disconnect Harness – Stationary Breakers	425D367G2
NI	–	Secondary Disconnect Insulation	192A9767P1
2C	52	Trip Button & Rod	192A9572G2
2C	53	Trip Paddle/Latch (Drawout)	192A9605G1
2C	59	Window, Clear Plastic	192A9613P1

NI: Not illustrated in section.

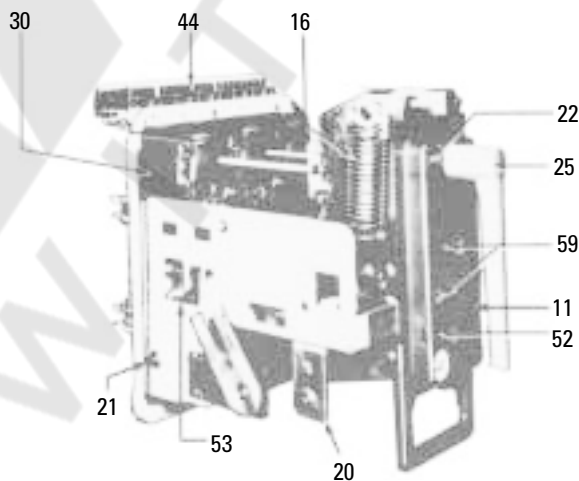


Figure 2C: Manually Operated AKR-50 Breaker (Drawout type A) with Arc Quenchers and Barriers Removed

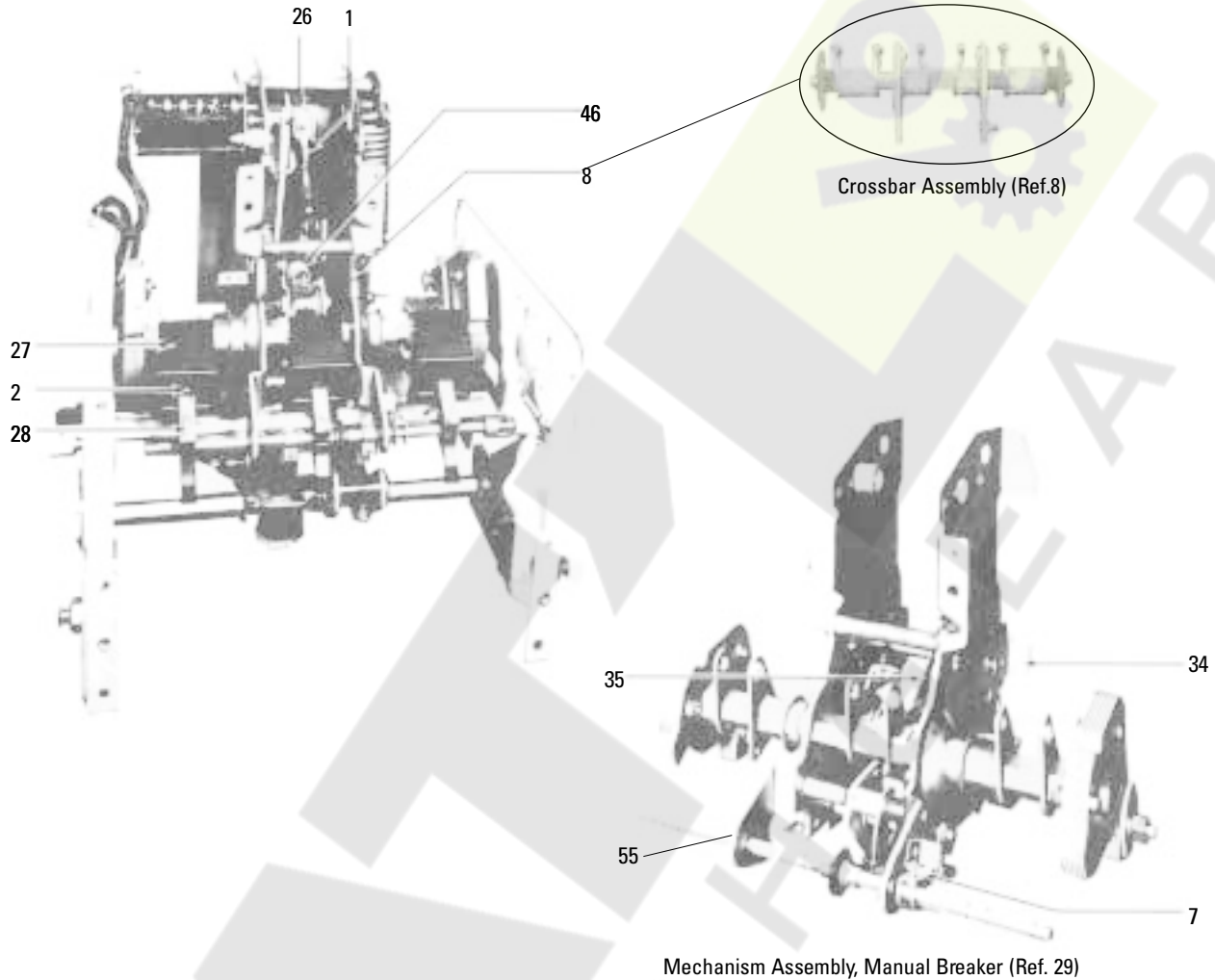


Figure 2D: Internal View of Front Frame and Mechanism Assembly, Manually Operated AKR-50 Breaker

Table 2E, Internal View of Power Circuit Breakers						
Fig. No.	Ref. No.	Description	Catalog Number			
			AKR-30/30H AKRU-30	AKR-50 AKR-50	AKRU-50 AKJU-50	AKR-50H AKJ-50H
2D	1	Adjustable Link for Manual Mechanism	192A9552G2			
2D, 2F	2	Adjusting Screw for Contact Assembly	192A9554P1			
2D	7	Buffer Paddle Assembly for Trip Shaft	192A9651G1			
2D	8	Channel Insulation	192A9631P1			
2D	26	Handle Crank Cam	192A9536G2			
2D, 2F	27	Link (Plastic) for Movable Contact Assembly	134C2127G1			
2D	28	Link (Steel) for Movable Contact Assembly	192A9841P1	192A9597P1	193A1411P1	
NI	-	Mechanism Assembly, Electrical Breaker	139C4616G2			
2D	29	Mechanism Assembly, Manual Breaker	139C4616G1			
2D	34	OPEN/CLOSE Indicator, Electric Breaker	568B522G1			
2D	34	OPEN/CLOSE Indicator, Manual Breaker	568B520G1			
2D	35	OPEN/CLOSE Link to Main Shaft	192A9242P1			
2D	46	Spring (Opening)	192A6990P153			
2D	55	Trip Shaft	568B524G1			

NI: Not illustrated in section.



24 Low Voltage Circuit Breaker Parts

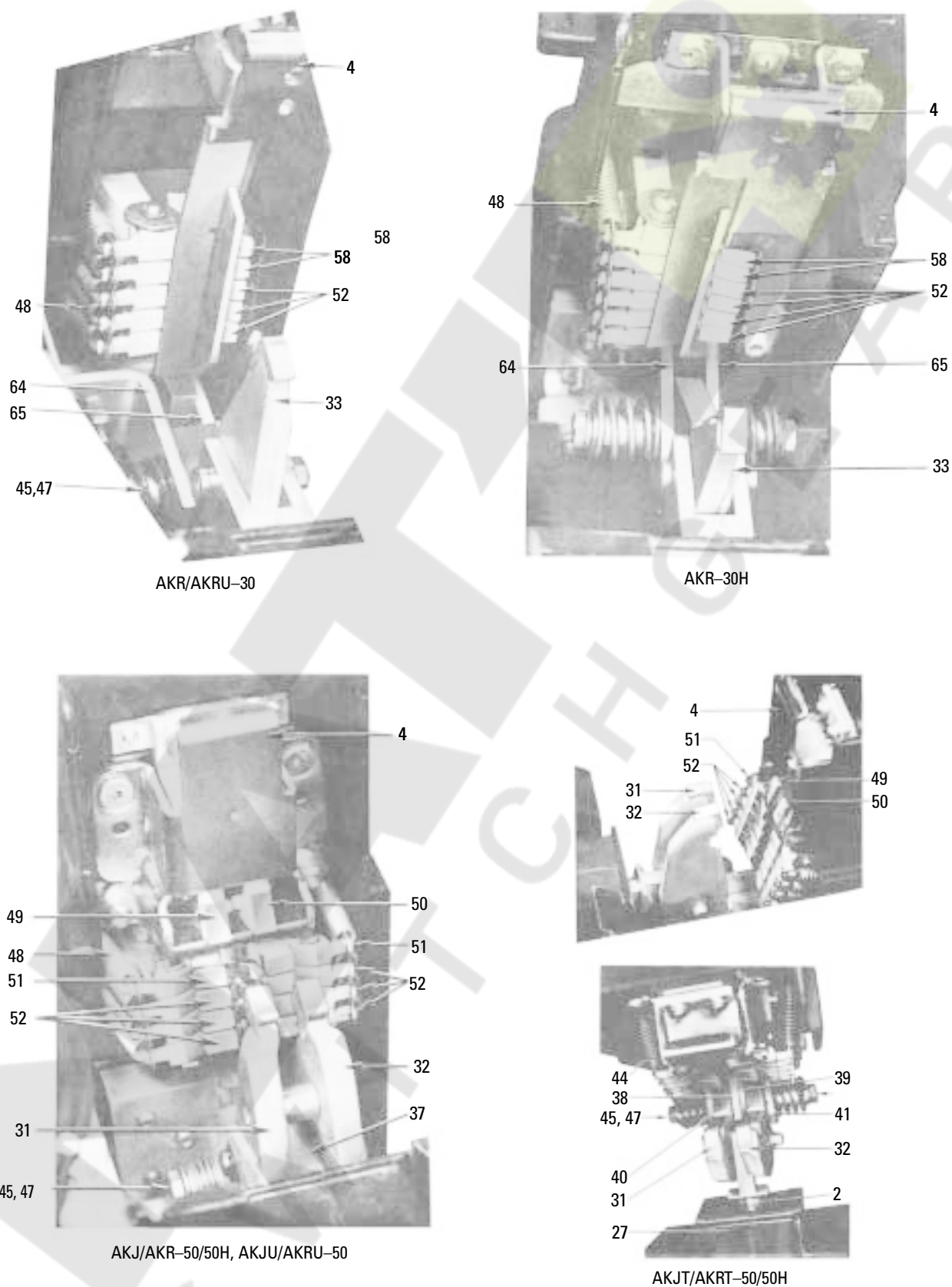


Figure 2F: AKJ/AKR-50/50H, AKJU/AKRU-50 and AKJT/AKRT-50/50H Contact Structure (one pole)

For more information contact your authorized GE sales representative or GE distributor.

Table 2F, Internal View of Power Circuit Breakers

Fig. No.	Ref. No.	Description	Catalog Number		
			AKR/AKRU-30 AKR-30H	AKR/AKRU-50 AKR-50H	AKRT-50H
2D, 2F	2	Adjusting Screw for Contact Assembly	192A9554P1		
2E, 2F	4	Arc Runner	192A9902G1	568B504G1	
2G	6	Bracket and Lever Assembly	568B541G1		
2G	17	Closing Spring Discharge Linkage Assembly	568B557G1		
2D, 2F	27	Link (Plastic) for Movable Contact Assembly	134C2127G1		
2F	31	Movable Contact-Left	N/A	192A9511G1	192A9977G2
2F	32	Movable Contact-Right	N/A	192A9511G2	192A9977G1
2E	33	Movable Main Contact	192A9511G3	N/A	
2F	37	Pivot for Movable Contact	N/A	192A9912G1	N/A
2E	64	Pivot, Inner, for Movable Contact	192A9882G1	N/A	
2E	65	Pivot, Outer, for Movable Contact	192A9845P1	N/A	
2F	38	Pivot, Lower Left, for Movable Contact	N/A		192A9972P2
2F	39	Pivot, Lower Right, for Movable Contact	N/A		192A9972P1
2F	40	Pivot, Upper Left, for Movable Contact	N/A		192A9972P4
2F	41	Pivot, Upper Right, for Movable Contact	N/A		192A9972P3
2G	42	Prop	192A9545G1		
2H	43	Racking Mechanism for Drawout Breaker	139C4618G1		
2E, 2F	45	Shaft for Movable Contact Pivot	192A9843P1	192A9602P1	192A9985P1
2E, 2F	47	Spring for Movable Contact Pivot	192A6990P190	192A6990P152	192A6990P190
2E, 2F	48	Spring for Contact Assembly	192A9509G1		
2E	58	Stationary Arcing Contact	192A9847G1	N/A	
2F	49	Stationary Arcing Contact-Left	N/A	568B509G4	
2F	50	Stationary Arcing Contact-Right	N/A	568B509G3	
2F	51	Stationary Intermediate Contact	N/A	192A9505G2	
2E, 2F	52	Stationary Main Contact	192A9847G2	192A9505G1	

N/A: Not applicable.

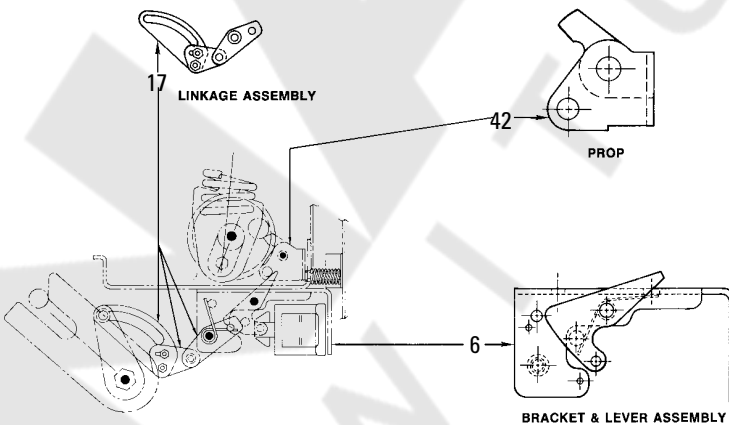

Figure 2G: Closing Spring Interlock

Figure 2H: Drawout Racking Mechanism (Ref.43)


Table 2G, Arc Quencher/Chute and Arc Quencher Retainer

Breaker Type	AC/DC	Arc Quencher/Chute	Arc Quencher Retainer
AKR-30	DC	425D404	G2 193A1348 P1
AKRU-30	AC		G7 193A1169 P1
AKR-30H			G8
AKR/AKJ-50	DC		G1 193A1348 P1
AKRU/AKJU-50	AC		G9 193A1169 P1
AKR/AKJ- 50H			G10
AKRT/AKJT-50H			



Figure 2I: Arc Quencher/Chute-AC (Ref. 60)

Table 2H, Primary Disconnect Assembly

Breaker Type	Catalog Number	Stud	Group Number		
			Left Pole	Center Pole	Right Pole
AKJ-50/50H	192A9668	Upper	G6	G1	G6
		Lower	G7	G1	G7
AKJT-50/50H		Upper	G9	G8	G9
		Lower	G10	G8	G10
AKJU-50 with 300-2000A Fuses		Upper	G1	G1	G1
		Lower	G1	G1	G1
AKR-30/30H		Upper	G2	G2	G2
		Lower	G3	G3	G3
AKR-50 AKRT-50H		Upper	G1	G1	G1
		Lower	G1	G1	G1
AKRU-30	Upper	G4	G4	G4	
	Lower	G3	G3	G3	
AKRU-50 with 300-2000A Fuses	Upper	G1	G1	G1	
	Lower	G1	G1	G1	
AKRU-50 with 2500A Fuses	568B589	Upper	G1	G1	G1
	Lower	G1	G1	G1	



Figure 2J: Primary Disconnect Assembly (Ref. 66)

Table 2I, Secondary Disconnect (Movable) Devices for Drawout Breaker

Breaker Type	Terminal Points	Catalog Number
AKRU-30/50 AKJU-50	7pt	568B510
	14pt	
	21pt	
AKR-30/50, AKJ-50 AKR-30H/50H	7pt	
	14pt	
AKJ/AKRT/AKJT-50H	21pt	

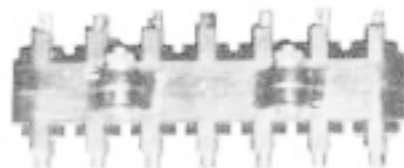


Figure 2K: Secondary Disconnect (Movable) Device (7pt) (Ref. 44)

General Electric Type J and L fuses are now obsolete, and no longer used in type AKRU low-voltage power circuit breakers.

Gould-Shawmut fuses are now used. The chart cross-references the obsolete GE catalog number and the replacement Gould-Shawmut catalog numbers.

Table 2J, Fuses (Gould-Shawmut)				
Breaker Type	Obsolete GE Fuse Rating	Catalog Number	Gould # Equiv. Catalog Number	Class
AKR/AKRJ-30 AKR-30H AKR/AKRJ-50 AKJ/AKJU-50 AKR/AKRT-50H AKJ/AKJT-50H	150A	GF8B150	A4J150	J
	200A	GF8B200	A4J200	
	225A	GF8B225	A4J225	
	250A	GF8B250	A4J250	
	300A	GF8B300	A4J300	
	350A	GF8B350	A4J350	
	400A	GF8B400	A4J400	
	450A	GF8B450	A4J450	
	500A	GF8B500	A4J500	
	600A	GF8B600	A4J600	L
	601A	GF8B601	A4BY601	
	650A	GF8B650	A4BY650	
	700A	GF8B700	A4BY700	
	800A	GF8B800	A4BY800	
	1000A	GF8B1000	A4BY1000 BG #	
	1200A	GF8B1200	A4BY1200 BG #	
	1400A	GF8B1400	N/A	
	1600A	GF8B1600	A4BY1600 BG #	
	2000A	GF8B2000	A4BY2000	
2500A STD	GF8B2500	A4BY250		

#Suffix or type BG denotes cut-out on tang.

Table 2K, Allowable Fuse Sizes				
Breaker Type	Rating Plug	Max. Gould-Shawmut Class "L" Fuse	Min. Gould-Shawmut Class "L" Fuse	Min. Gould-Shawmut Class "J" Fuse
AKRU/AKJU-50 AKRT/AKJT-50H	Rating	Size	Size	Size
	1600A	2500A	2500A	—
	1200A	2500A	1600A	—
	1000A	2500A	1000A	—
	800A	2500A	800A	—
	700A	2500A	700A	—
	600A	2500A	—	600A
	500A	2500A	—	500A
	400A and Below	2500A	—	450A



28 Low Voltage Circuit Breaker Parts

Table 2L, Fuse Mounting Assembly				
Breaker Type	Application	Fuse Rate	Catalog Number	
AKRU-30	AKD-5 and AKD-6	225A	125D408	G17
		300A		G7
		350A		
		400A		
		450A		G10
		500A		
		600A		
		800A		
		1000A		G13
		1200A		
	1600A	AKD-8	225A	G26
	300A		G22	
	350A		G23	
	400A			
	450A			
	500A		G24	
	600A			
	800A			
	1000A			
	1200A		G25	
1600A				
AKRU-50	AKD-5 and AKD-6	450A	425D408	G10
		500A		
		600A		G1
		800A		
		1000A		
		1200A		G2
		1600A		
		2000A		
	2500A			
	AKD-8	450A	G20	
		500A		
		600A		
		800A		
		1000A		G21
		1200A		
		1600A		
		2000A		
2500A				
	**			

** G27 For vertical lower studs
G6 For horizontal lower studs

Table 2M, Auxiliary Switch (Electroswitch)			
Breaker Type	Aux Switch Contacts	Catalog Number	
AKR/AKRU-30, AKR-30H AKR/AKRU-50, AKJ/AKJU-50 AKR/AKRT-50H, AKJ/AKJT-50H	6A & 6B	568B571	G14
	5A & 5B*		G16
	3A & 3B		G15
	2A & 2B* [@]		G13

*For Manually operated breakers only.
[@] 2A & 2B with shunt trip is not allowed.
 Note: 6A & 6B Auxiliary Switch Contacts denotes a 6 stage Auxiliary Switch

Table 2N, Bell Alarm Assembly			
Breaker Type	Bell Alarm Lockout	Contacts	Catalog Number
AKR-30/50 AKRU/AKJ-50 AKR/AKRT-50H	Yes	1 NO & 1NC	139C4625
		2 NC	
		2 NO	
AKR-30/50 AKRU/AKJ-50 AKR/AKRT-50H	No	1 NO & 1NC	139C4625
		2 NC	
		2 NO	

NO=Normally Open
 NC=Normally Closed

Table 2O, Closing Solenoid-Remote			
Breaker Type	Frequency	Breaker Closing Voltage (V)	Catalog Number
AKR/AKRU-30 AKR-30H	50HZ	120	G6
		208	G9
		240	G7
AKR/AKRU-50 AKJ/AKJU-50 AKR/AKRT-50H	60HZ	120	568B572
		208	
		240	
AKJ/AKJT-50H	DC	48DC	G3
		125DC	G4
		250DC	G5

Table 2P, Open Fuse Lockout		
Breaker Typer	Description	Catalog Number
AKRU-30 AKRU/AKJU-50 AKRT/AKJT-50H	Open Fuse Lock-Out (OFLO)-AKD-8	425D370G1
	Open Fuse Lock-Out (OFLO)-non AKD-8	425D409G1

Table 2Q, Open Fuse Lockout Harness			
Breaker Type	Application	Fuse Rate	Catalog Number
AKRU-30	AKD - 8	—	G1
AKRU/AKJU-50	—		G4
AKRU/AKJU-50	—	2500A	G3
AKRT/AKJT-50H	—	—	G5

—Any legitimate alternative condition.



Figure 2L: Auxiliary Switch (Electroswitch) 6A & 6B-(Ref. 61)



Figure 2M: Bell Alarm Assembly -(Ref. 62)



Figure 2N: Open Fuse Lock-Out (Ref. 36)



Table 2R, Shunt Trip Device –See Fig. 2P			
Breaker Type	Frequency (Hz)	Shunt Trip Voltage (V)	Catalog Number
AKR/AKRU-30 AKR-30H AKR/AKRU-50 AKJ/AKJU-50 AKR/AKRT-50H AKJ/AKJT-50H	50	120	G6
		208	G12
		240	G13
		380	G14
		480	G9
		575	G15
	60	70	G16
		120	G5
		208	G11
		240	G7
		277	G19
		480	G8
		575	G10
		DC	12DC
	24DC		G1
	48DC		G2
	125DC		G3
	250DC		G4
			139C4621



Figure 2P: Shunt Trip Device (Ref. 56)

Table 2S, Undervoltage Device with No UNDV Time Delay –See Fig. 2Q					
Breaker Type	Frequency (Hz)	Elec Lockout or UNDV Voltage(V)	Catalog Number		
AKR/AKRU-30 AKR-30H AKR/AKRU-50 AKJ/AKJU-50 AKR/AKRT-50H AKJ/AKJT-50H	50	120	G8		
		208	G10		
		240	G17		
		380	G16		
		480	G13		
		575	G15		
	60	120	G7		
		208	G9		
		240	G11		
		480	G12		
		575	G14		
		DC	24DC	G1	
	48DC		G2		
	125DC		G3		
	250DC		G4		
			139C4622		

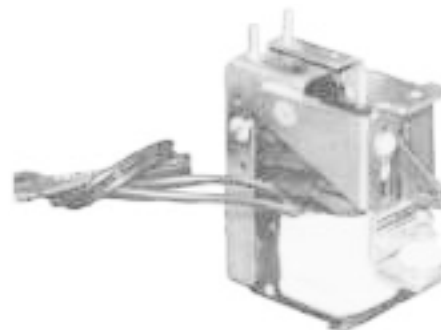


Figure 2Q: Undervoltage Device (Ref. 57)

Table 2T, Undervoltage Device with UNDV Time Delay		
Breaker Type	Elec Lockout or UNDV Voltage(V)	Catalog Number
AKR/AKRU-30, AKR-30H	208	G19
AKR/AKRU-50, AKJ/AKJU-50	240	G5
AKR/AKRT-50H	125DC	G6
AKJ/AKJT-50H	250DC	
		139C4622

Table 2U, AK/AKU/AKT-50 Power Circuit Breaker

AK-50 Power Circuit Breaker Obsolescence Statement: The AK-50 is no longer a manufactured breaker. Many of the items originally identifies as renewal parts have become unavailable. The following parts list is a reproduction of parts found in Bulletin GEF-4150H. The notes column identifies as obsolete those parts that are no longer available. The reference number listed refers to the GEF-4150H reference number.

GEF-4150H Ref. No.	Description	Catalog Number	Notes
185	Adjusting plate	887B387G1	Manual Breaker
215	Anti rebound hook and slider	801B138G4	Obsolete
168B	Anti-pump relay (W)	Table GEF-4149H-B	Electric Breaker
54	Arc quencher tie bar, AK-2/3-50	9921630P3	Obsolete
54	Arc quencher tie bar, AK-2A/3A-50	9921630P2	Obsolete
38	Arc quencher, AK-50 DC, AKU-50, AKT-50	238D674G2	Obsolete
38	Arc quencher, AK-50 AC	238D674G1	Obsolete
177	Auxiliary switch, 3 stage	192S9791P3	Electric Breaker
183	Auxiliary switch coupling	127A6439P1	
178	Auxiliary switch crank bracket	411A952G1	
179	Auxiliary switch link assembly	887B386G2	Electric Breaker
179	Auxiliary switch link assembly	887B386G1	Manual Breaker
182	Auxiliary switch operating rod	127A6463G2	
177	Auxiliary switch, 2 stage	192A9791P2	Manual Breaker
177	Auxiliary switch, 5 stage	192A9791P5	Manual Breaker
177	Auxiliary switch, 6 stage	192A9791P6	Electric Breaker
128	Bearing	393A796P3	Electric Breaker
144	Bearing	698C995P2	Manual Breaker
3	Block, AK-50 AC	117A512P1	
3	Block, AK-50 DC, AKU-50, AK-50	452A542P1	
103	Buffer assembly	457A627G1	
120	Buffer pin	698C993P4	Manual Breaker
123	Buffer stop nut	393A993P24	Manual Breaker
121	Buffer support	698C993P3	Manual Breaker
122	Buffer washer	698C993P5	Manual Breaker
78	Cam	6414743P1	Obsolete
226	Charge indicator label	698C997P4	
188	Charged and discharged indicator	365B268G2	Electric Breaker
62	Clamp	192A9567P1	
214	Clamp	192A9567P1	\$\$\$
84	Clevis	412A413P3	
168	Closing relay (X)	Table GEF-4149H-B	Electric Breaker
168C	Closing solenoid	Table GEF-4149H-B	Electric Breaker
222	Closing switch	805B949G1	Obsolete
104	Counter weight	383A671G2	
83	Coupling	6555414P2	
64	Coupling	174V536P1	Obsolete
126	Crank (includes outer race of bearing)	698C992G4	Manual Breaker
55	Cross bar	267B101P2	
160	Cu-off switch "G"	192A7153P8	Electric Breaker
162	Cut-off switch "F"	192A7153P7	Electric Breaker
163	CUT-off switch cover	371A235P1	Electric Breaker
165	Cut-off switch lever bracket	371A234G1	Electric Breaker
164	Cut-off switch mounting bracket	371A233G1	Electric Breaker

\$\$\$Refers to -A Breakers only (e.g. AK-2A-50-1).



Table 2U, AK/AKU/AKT-50 Power Circuit Breaker

AK-50 Power Circuit Breaker Obsolescence Statement: The AK-50 is no longer a manufactured breaker. Many of the items originally identifies as renewal parts have become unavailable. The following parts list is a reproduction of parts found in Bulletin GEF-4150H. The notes column identifies as obsolete those parts that are no longer available. The reference number listed refers to the GEF-4150H reference number.

GEF-4150H Ref. No.	Description	Catalog Number	Notes
166	Cut-off switch retainer	394A133P9	Electric Breaker
167	Cut-off switch spacer	192A8404P41	Electric Breaker
161	Cut-off switch insulation	193A9729P1	Electric Breaker
65	Dowel pin	127A6493P2	Obsolete
195	Drawout racking mechanism assembly	238D689G1	Obsolete
58	Front escutcheon (blue)	698C997P5	Obsolete
58	Front escutcheon (blue)	805B975P2	Obsolete
58	Front escutcheon (w/o closing switch, black)	275B997P2	Electric Breaker
58	Front escutcheon (with closing switch, black)	805975P1	Obsolete
58	Front escutcheon, AK - 2 - 50	689C997P1	Manual Breaker
158	Gasket motor	6447101P1	Electric Breaker
158A	Gasket, gear box end plate	6447102P1	Electric Breaker
181	Groove pin	21325042500	
61	Hand, trip paddle	6203939P3	Obsolete
57	Handle	286A8096G2	
142	Indicator	698C996G1	Manual Breaker
150	Indicator crank assembly	698C995G2	Manual Breaker
	Indicator Label	259C608P3	Manual Breaker
148	Indicator lever assembly	698C995G1	Manual Breaker
21	Insulating tube	6447741P1	Obsolete
218	Insulation	362A494P1	
10	Insulation for stationary arcing contacts, AK - 50 AC	459A373P3	Obsolete
10	Insulation for stationry arcing contacts, AK - 50 DC, AKU - 50, AKT - 50	459A373P1	
176	Intantaneous undervoltage devic,	Table GEF-4149H-A	
202	Interlock link assembly	846C0839G1	\$\$\$
204	Jam nut	21500060000	\$\$\$
106	Latch	848C0487P1	
205	Latch	846C839P1	\$\$\$
89	Latch bolt	V6444916P1	
208	Latch spring	846C0839P10	\$\$\$
90	Latch, Electric Breaker	6414764P1	Electric Breaker
26	Leaf spring for movalbe main contacts	452A529P1	Obsolete
9	Leaf spring for stationary arcing contacts, AK - 50 AC	433A319P2	
9	Leaf spring for stationary arcing contacts, AK - 50 DC, AKU - 50, AKT - 50	433A319P1	
36	Leaf spring for stationary main contacts	449A995P1	Obsolete
53	Lifting bracket, left	372A275G4	%%%
52	Lifting bracket, right	372A275G3	%%%
95	Link assembly	457A622G1	
20	Link for movable arcing contact, AK - 50 AC & DC, AKU - 50, AKT - 50	275B975P1	Obsolete
17	Link for movalbe main contact	K6404784P4	
197	Link spring	412A135P1	Obsolete
119	Lower spring guide assembly pin	6447032P2	Manual Breaker
119	Lower spring guide assembly pin	9447032P1	Electric Breaker
28	Lower stud	6414314P2	

\$\$\$Refers to -A Breakers only (e.g. AK-2A-50-1).

For more information contact your authorized GE sales representative or GE distributor.

Table 2U, AK/AKU/AKT-50 Power Circuit Breaker

AK-50 Power Circuit Breaker Obsolescence Statement: The AK-50 is no longer a manufactured breaker. Many of the items originally identifies as renewal parts have become unavailable. The following parts list is a reproduction of parts found in Bulletin GEF-4150H. The notes column identifies as obsolete those parts that are no longer available. The reference number listed refers to the GEF-4150H reference number.

GEF-4150H Ref. No.	Description	Catalog Number	Notes
157	Lubricant for gear box	393A991P1	Electric Breaker
221	Maintenance Handle	568B386G1	Electric Breaker
159	Motor	5P66MA6A	Electric Breaker
159	Motor	5P66MA7A	Electric Breaker
203	Mounting stud	192A6976P53	\$\$\$
220	Movable primary disconnect (not used on AKT)	192A9668G1	
220A	Movable primary disconnect (for AKT only)	132C2655G1	
11	Moving arcing contact, AK – 50 AC	K9921572G2	
11	Moving arcing contact, AK – 50 DC, AKU – 50, AKT – 50	K921572G2	
15	Moving intermedieate contact	193A1126G7	
14	Moving main contacts	193A1126G8	
154	O Ring for plug	393A992P2	Electric Breaker
186	Open and close indicaotr link	6203934P1	Electric Breaker
187	Open and close indicator	265B268G1	Electric Breaker
151	Open-close label	259C608P3	Manual Breaker
56	Opening spring , AC (AKU or AKT)	6509813P1	
56	Opening spring , AC (not used on AKU or AKT)	6509914P1	Obsolete
56	Opening spring, DC	6509813P1	
196	Pawl spring	365A313P1	
118	Pawl spring rollers	698C996P13	Manual Breaker
117	Pawl spring support (lower)	698C996G4	Manual Breaker
116	Pawl spring support (upper)	698C996G5	Manual Breaker
136	Pawl with spring (front)	698C985G2	Manual Breaker
135	Pawl with spring (rear)	698C985G1	Manual Breaker
51	Phase barrier	6414763P1	
85	Pin	412A405P414	
87	Pin	647744P1	
97	Pin	6447091P1	
141	Pin	698C991P10	Manual Breaker
206	Pin	6076401P12	\$\$\$
184	Pin	6076402p203	
74	Pin	174V531P1	Obsolete
96	Pin	6447099P1	
189	Pin for indicator	174V532P1	Electric Breaker
18	Pin for movable arcing contact link, AK – 50	6647153P3	
18	Pin for movable arcing contact link, AK – 50 DC, AKU – 50, AKT – 50	6447153P1	
16	Pin for movable main contact	452A528P1	
22	Pin for side link	6203081P1	
37	Pivot fpin for stationary main contacts	6447734P2	
31	Pivot pin for mobalbe main contacts	293B287P3	
29	Pivot pin for movable main contacts	452A564G1	
8	Pivot pin for sstationary arcing contacts, AK – 50 DC, AKU– 50, AKT – 50	6404793P2	
8	Pivot pin for stationary arcing contacts, AK – 50 AC	6404793P3	
153	Plug	6447398P1	Electric Breaker

\$\$\$Refers to –A Breakers only (e.g. AK-2A-50-1).



Table 2U, AK/AKU/AKT-50 Power Circuit Breaker

AK-50 Power Circuit Breaker Obsolescence Statement: The AK-50 is no longer a manufactured breaker. Many of the items originally identifies as renewal parts have become unavailable. The following parts list is a reproduction of parts found in Bulletin GEF-4150H. The notes column identifies as obsolete those parts that are no longer available. The reference number listed refers to the GEF-4150H reference number.

GEF-4150H Ref. No.	Description	Catalog Number	Notes
77	Prop	419A366P1	
92	Prop	698C993G1	
138	Prop	698C991G5	Manual Breaker
93	Prop shaft bearing	377A871P2	
140	Prop spring	412A280P1	Manual Breaker
109	Prop stop	412A412P2	
129	Ratchet assembly	698C987G2	Manual Breaker
156	Ratchet pin	372A283P1	Electric Breaker
107	Reset latch	889B0410G1	
88	Reset latch, Electric Breaker	568B272G1	Electric Breaker
19	Retainer	394A133P9	Obsolete
67	Retainer	394A133P1	Obsolete
69	Retainer	394A133P16	Obsolete
75	Retainer	2132506200	
94	Retainer	394A133P9	
134	Retainer	394A133P28	Manual Breaker
139	Retainer	394A133P3	Manual Breaker
190	Retainer for indicator	394A133P1	Electric Breaker
115	Retaining ring	394A133P4	
23	Retainer	394A133P10	
207	Rivet	177L292P53	\$\$\$
145	Rod	127A6493P3	Manual Breaker
132	Roll pin	394A137P12	Manual Breaker
143	Roll pin	394A137P11	Manual Breaker
210	Screw (left)	177L292P58	Obsolete
212	Screw (right)	177L292P59	\$\$\$
217	Secodary disconnect device (7 point) Breaker mounted	184I803SDG1	Obsolete
216	Secondary disconnect support	265B237P1	
201	Shaft	888B420P2	\$\$\$
131	Shaft assembly	698C990G2	Manual Breaker
171	Shunt trip coil	Table GEF-4149H - A	
170	Shunt trip device	Table GEF-4149H - A	
169	Shunt trip device support	449A537P1	
24	Side link, left	457A624G2	
24	Side link, right	457A624G1	
1	Spacer	568B650P1	Obsolete
112	Spacer	148A1946P10	
114	Spacer	148A1946P1	
219	Spacer	6176109P72	
209	Spacer (left)	148A1946P5	\$\$\$
211	Spacer (right)	148A1946P6	Obsolete
191	Spacer for indicator	6176109P7	Electric Breaker
33	Spacer for stationay main contact stop	453A116P3	@@@
33	Spacer for stationay main contact stop - Electric Breaker	423A116P2	***, %%%

***Original Breaker had no suffix letter or numeral (e.g. AK-2-50 vs. AK-2-50-1).
 @@@Does not include AK-2 electrical breakers with no suffix or numeral.

\$\$\$Refers to -A Breakers only (e.g. AK-2A-50-1).
 %%%Refers to breakers without a -A (e.g. AK-2-50-1).

For more information contact your authorized GE sales representative or GE distributor.

Table 2U, AK/AKU/AKT-50 Power Circuit Breaker

AK-50 Power Circuit Breaker Obsolescence Statement: The AK-50 is no longer a manufactured breaker. Many of the items originally identifies as renewal parts have become unavailable. The following parts list is a reproduction of parts found in Bulletin GEF-4150H. The notes column identifies as obsolete those parts that are no longer available. The reference number listed refers to the GEF-4150H reference number.

GEF-4150H Ref. No.	Description	Catalog Number	Notes
30	Spacer for terminal	6203981P9	
91	Spring	6403348P1	
133	Spring	127A8306P1	Manual Breaker
149	Spring	412A0292P1	Manual Breaker
76	Spring	412A140P1	Obsolete
147	Spring	412A267P1	Manual Breaker
137	Spring arm	846C817G1	Manual Breaker
192	Spring for indicator	365A305P1	Electric Breaker
155	Spring for ratchet pin	6509871P1	Electric Breaker
6	Spring for stationary arcing contacts, (inner)	6509859P1	
5	Spring for stationary arcing contacts, (outer)	6509858P1	
34	Spring for stationary main contacts	6509893P1	
34	Spring for stationary main contacts	412A0287P1	Obsolete
101	Spring guide (lower)	6447353P1	
98	Spring guide (upper)	6447331P1	
124	Spring guide assembly (closing)	273B569G9	Electric Breaker
124	Spring guide assembly (closing)	889B0408G1	Manual Breaker
7	Spring guide for stationary arcing contact springs	6447046P1	
99	Spring reset (inner)	148A2213P1	
100	Spring reset (outer)	148A2214P1	
102	Spring support assembly	6203914G1	
174	Static time delay, AC or DC	TAKYUVT	
4	Stationary arcing contact AK - 50 AC & DC, AKU - 50, AKT - 50	295B408G3	@@@
13	Stationary intermediate contact (includes barrier)	193A1127G1	
12	Stationary main contact	293B221G5	
32	Stop for stationary main contacts	453A116P1	
2	Stop, AK - 50 AC	9921587P1	Obsolete
2	Stop, AK - 50 DC, AKU - 50, AKT - 50	449A994P3	
127	Support	393A554P1	Electric Breaker
125	Support (includes bearing less outer race)	698C992G5	Manual Breaker
130	Support Assembly	698C988G3	Manual Breaker
25	Terminal	452A569G2	Obsolete
193	Terminal board (4 point)	6293908G185	Obsolete
193	Terminal board (6 point)	6293908G168	Obsolete
194	Terminal board support	6423721P4	Obsolete
194	Terminal board support	9921543P1	Obsolete
59	Trip button and rod assembly	411A904G5	
60	Trip button spring	412A139P1	
110	Trip paddle	269C267G5	
213	Trip paddle	K6203939P5	\$\$\$
66	Trip shaft (center)	276B250P2	
63	Trip shaft (outside)	276B250P1	
68	Trip shaft bearing (side sheets and mechanism frame)	192A9653P4	
105	Trip shaft return spring Latch	6403366P1	

@@@Does not include AK-2 electrical breakers with no suffix or numeral.

\$\$\$Refers to -A Breakers only (e.g. AK-2A-50-1).



36 Low Voltage Circuit Breaker Parts

Table 2U, AK/AKU/AKT-50 Power Circuit Breaker

AK-50 Power Circuit Breaker Obsolescence Statement: The AK-50 is no longer a manufactured breaker. Many of the items originally identifies as renewal parts have become unavailable. The following parts list is a reproduction of parts found in Bulletin GEF-4150H. The notes column identifies as obsolete those parts that are no longer available. The reference number listed refers to the GEF-4150H reference number.

GEF-4150H Ref. No.	Description	Catalog Number	Notes
111	Trip shaft stop	6447767P1	
146	Tube	698C995P14	Manual Breaker
180	Tube	6447157P1	
175	Undervoltage device coil	Table GEF-4149H - A	
172	Undervoltage device support	423A380P1	
198	Upper side sheet	669D0819G1	Obsolete
199	Upper side sheet	669D0819G2	Obsolete
113	Upper spring guide assembly pin	6447010P1	
35	Upper stud, AK - 50 AC	293B240G1	
35	Upper stud, AK - 50 DC, AKU - 50, AKT - 50	293B240G2	
200	Wheel	888B420P1	\$\$\$
223	Window	174V535P1	Obsolete
225	Window (charge indicator)	698C997P2	
224	Window (open and close)	269C272P8	Manual Breaker

\$\$\$Refers to -A Breakers only (e.g. AK-2A-50-1).

Type AK / AKR Low Voltage Power Circuit Breakers

Included in this Section

AKR low-voltage power circuit breakers are intended for use in commercial, industrial and utility applications. Designed for severe duty, AKR breakers are serviceable and suitable for mains, feeders and applications such as motor starting, capacitor switching/generator protection and resistance welding. They are fully rated; that is, the short time rating in most cases is equal to the short circuit rating providing the greatest opportunity for selectivity with downstream devices. The breakers are maintainable and meet ANSI Standard C37.13 and C37.16, as well as applicable UL Standards. There are five frame sizes from 800–4000 amperes with short circuit interrupting ratings to 200 kA symmetrical short circuit without fuses.

AKS/AKSU-50	AKR-75	AK-75 (Obsolete Breaker)
AKS/AKST-50H	AKR-100	AK-100 (Obsolete Breaker)

Equipment Identification and Nomenclature Guide

- Equipment Serial Number, Breaker Type, Closing Voltage / Frequency, and Connection Diagram Number (e.g. “B”) are most important for identification purposes.
- Breaker Nameplate is located to the left of the escutcheon on the breaker, and the Electrical Closing Mechanism Nameplate is located on the right of the escutcheon.

Example: **AKR** _ - **10** **D** - **7** **5** _

Code	General Type
AK	Old style LVPC8
AKS	AKR replacement for AK-50, AKJ-50
AKST	AKRT replacement for AKT-50, AKJT-50
AKSU	AKRU replacement for AKU-50, AKJU-50
AKR	New Style LVPC8

Code	Trip Device Type
2	EC
3 ^②	Power Sensor
4 ^②	ECS
5 ^②	SST
6 ^②	MicroVersa Trip
7 ^②	MicroVersa Trip™ RMS-9
8	Epic MicroVersa Trip™
9	PowerLeader MVT+, MVTM
10	PowerLeader MVT+, MVTM with RMS9C Trip Units
N	Non-Automatic

^② Discontinued

Code	Mounting Type
Blank	Drawout AKD Switchgear
A	Drawout AKD-5/6 Switchgear
B	Drawout AKR OEM Substructure
C	Drawout AKD-6 Switchgear (AKR-75/100 only)
D	Drawout AKD-8 Switchgear and OEM Substructure
S	Stationary
W	33" Wide Stationary (AKR-100 only)
F	OEM Substructure (AKR-100 only)

Code	Frame Size in Amperes	
	AC	DC
50	1600, 2000	2000
75	3200	4000
100	400	6000

^① Suffix D is affixed to AKR designations to identify non-automatic DC models. e.g. AKR-NB-30D

GENERAL ELECTRIC
LOW VOLTAGE POWER CIRCUIT BREAKER

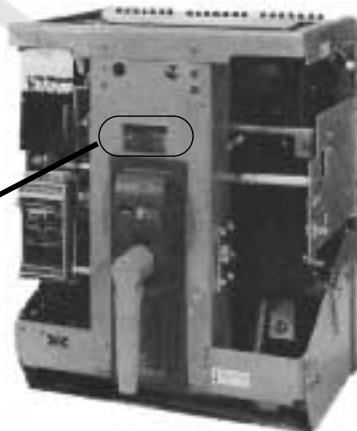
S/N 0343A7383-004-001 ID
TYPE AKR-10D-75

AMP FRAME SIZE

MAXIMUM VOLTS AC	RMS SYMMETRICAL RATINGS - KA			SHORT TIME
	SHORT CIRCUIT		SHORT TIME	
	INST TRIP	W/O INST TRIP		
635 VOLTS MAX	65	65	65	65
50/60 HERTZ	508	65	65	65
3 POLES	254	65	65	65

INSTR BOOK GE186150 RENEWAL PARTS BULL GEF4527
OUTLINE 139C4977 CODE DATE P048=
NP266688 PLAINVILLE, CONN. MADE IN U.S.A.

Breaker Nameplate



GENERAL ELECTRIC
ELECTRICAL CLOSING MECHANISM

CLOSING VOLTAGE
120 VOLTS 60 CYCLES

OPERATING RANGE
104 TO 127 VOLTS

CONNECTION 183B7128-G125
DIAGRAM

MADE IN U.S.A. PLAINVILLE, CONN. NP266688

Electrical Closing Mechanism Nameplate (Not Shown)

Figure 3: AKR-10D-75 Power Circuit Breaker Nameplate Data



Table 3-1, AKS/AKSU-50 & AKS/AKST-50H Power Circuit Breakers

Fig. No.	Ref. No.	Description	Catalog Number			
			AKS-50	AKSU-50	AKS-50H	AKST-50H
3A	1	Anti-Pump Relay "W" – R Connection Diagram	Table 3B			
NI	–	Anti – Walk Device	N/A			
3R	2	Arc Quencher / Chute	161D6507G3			
NI	–	Arc Runner	201C9003P1			
3N	3	Auxiliary Switch (Electroswitch)	Table 3M			
3I	4	Back Frame Assembly, Complete – 25" Wide	425D349G14		425D349G15	
3I	4	Back Frame Assembly, Complete – 33" Wide	N/A			
3O	5	Bell Alarm Assembly	Table 3N			
3A	6	Charging Motor with Driving Pawl	Table 3B			
NI	–	Closing Push Button Switch (includes insulator, mtg. hardware, and label)	192A9717G3			
3A	8	Closing Relay "X" – R Connection Diagram	Table 3B			
3A	9	Closing Solenoid Coil	Table 3B			
3A	10	Closing Solenoid Switchette (used in D.C. control only)	192A7153P3			
NI	–	Contact Finger	192A9669P1			
NI	–	Control Relays (Includes Anti – Pump and Closing Relay)	Table 3C			
3I	12	Crossbar Assembly With Anti-rebound Hook and Buffer Assembly	139C4412G6			
3S	14	Cut-off Switch Assembly – B Connection Diagram	139C4458G2			
3S	14	Cut-off Switch Assembly – DC	139C4458G3			
3S	14	Cut-off Switch Assembly – R Connection Diagram	139C4458G1			
3I	15	Drive Pin for Movable Arcing Contact	V6447153P1			
3I	15	Drive Pin for Movable Main Contact	193A1698P4			
NI	–	Driving Pawl	323A6079G1			
NI	–	Electrical Lockout Device for UNDV Device	139C4419G1			
3B	16	Escutcheon	Table 3D			
3T	17	Flux Shift Trip Device	425D389G89			
3C-3F	18, 19	Front Frame	Table 3E			
NI	–	Fuses	N/A	Table 3V-1	N/A	Table 3V-1
NI	–	Fuse Mounting Assembly	N/A	Table 3W	N/A	Table 3W
3G, 3H	20	Fuse Roll-Out Element	N/A			TAK83FCB
NI	–	Gear / Ratchet and Roller Assembly	568B252G1			
NI	–	Handle (Operating / Charging)	286A8096G2			
3J	21	Heat Sinks, Inner (All Phases)	N/A			
NI	–	Heat Sinks, Outer (Phase B Only)	N/A			
NI	–	Holding Pawl	192A9982G1			
3A	7	"K" Relay – B Connection Diagram	Table 3B			
NI	–	Lifting Device / Breaker Spreader	0247B8528G001			
3I	22	Link (Insulated) for Center Pole	323A6026P1			
3I	22	Link (Insulated) for Outside Pole	193A1299P1			
3I	23	Lower Stud	N/A			
NI	–	Lubricant / Grease for Drawout Breaker	282A2048P9			
NI	–	Maintenance Closing Handle	568B386G1			
NI	–	Motor Operating Gearbox Assembly	425D278G1			
3I	24	Movable Arcing Contact	K9921572G3			
3I	25	Movable Intermediate Contact – Left	193A1126G9			
3I	25	Movable Intermediate Contact – Right	N/A			
3I	26	Movable Main Contact – Left	193A1126G10			
3I	26	Movable Main Contact – Right	N/A			
4A	–	MVT Tapped CT Sensor (See Section 4)	Table 4A			
4B	–	MVT Fixed CT Sensor (See Section 4)	Table 4B			
4C	–	MVT Neutral CT Sensor Disconnects (See Section 4)	Table 4C			

NI: Not illustrated in section.

N/A: Not applicable.

Table 2-1, AKS/AKSU-50 & AKS/AKST-50H Power Circuit Breakers

Fig. No.	Ref. No.	Description	Catalog Number			
			AKS-50	AKSU-50	AKS-50H	AKST-50H
NI	–	MVT Neutral CT Sensor (See Section 4)	Table 4E			
NI	–	MVT Programmer Mounting (See Section 4)	Table 4G			
4E	–	MVT PM Programmer (See Section 4)	Table 4H			
4F	–	MVT+ Programmer (See Section 4)	Table 4H			
3U	27	Open Fuse Lock-Out (OFLO) Device	N/A	121C2870G2	N/A	121C2870G2
NI	–	Open Fuse Lock-Out (OFLO) Harness	N/A	425D368G5	N/A	425D368G2
NI	–	Operations Counter – Electric Breaker	568B413G1			
NI	–	Operations Counter – Manual Breaker	568B410G1			
NI	–	Pawl, Driving	323A6079G1			
NI	–	Pawl, Holding / Ratchet	192A9982G2			
3I	28	Pin (Steel) for Movable Arcing Contact	193A1296P5			
3I	28A	Pin (White Plastic) for Movable Arcing Contact	192A7573P297			
3I	29	Pin for Stationary Arcing Contact	N/A			
3I	30	Pivot Pin for Movable Main Contact	N/A			
3I	31	Pole Unit – Center Pole for AKR – 4, –5	N/A			
3I	31	Pole Unit – Center Pole for AKR – 6, –7, –8	N/A			
3I	31	Pole Unit – Outside Pole (Phase A or C) for AKR – 4, –5	N/A			
3I	31	Pole Unit – Outside Pole (Phase A or C) for AKR – 6, –7, –8	N/A			
NI	–	Positive Interlock – Left Side	N/A			
NI	–	Positive Interlock – Right Side	N/A			
3J	32	Primary Disconnect – Finger Type / Drawout Breaker	192A9668G12			192A9668G13
3J	32	Primary Disconnect – Finger Type / Stationary Breaker	N/A			
3L	33	Primary Disconnect – Tube Type	N/A			
NI	–	Racking Crank	568B731G1			
3M	34	Racking Mechanism for Drawout Breaker	N/A			
3K	35	Secondary Disconnect (Movable) Device for Drawout Breakers	Table 3J			
NI	–	Secondary Disconnect (Movable) Device for Stationary Breakers	N/A			
NI	–	Secondary Disconnect (Stationary) – Cubicle Mounted	0176D7926G001			
NI	–	Secondary Disconnect Harness – Drawout Breakers	N/A			
3P	36	Shunt Trip Device	Table 3O			
NI	–	Shunt Trip Device (2nd)	N/A			
NI	–	Side Link – Left (1 per pole)	193A1277G1			
NI	–	Side Link – Right (1 per pole)	193A1277G2			
NI	–	Spring for Stationary Arcing Contact – Inner	K6509859P1			
NI	–	Spring for Stationary Arcing Contact – Outer	K6509858P1			
NI	–	Spring for Stationary Intermediate Contact	412A288P1			
3I	37	Spring for Stationary Main Contact	412A288P1			
3I	38	Stationary Arcing Contact	295B408G3			
3I	39	Stationary Intermediate Contact – Left	N/A			
3I	39	Stationary Intermediate Contact – Right	193A1127G1			
3I	40	Stationary Main Contact – Left	N/A			
3I	40	Stationary Main Contact – Right	193A1124G1			
3Q	41	Undervoltage Device With No UNDV Time Delay	Table 3R			
NI	–	Undervoltage Device With UNDV Time Delay	Table 3Q			
3J	42	Upper Connectors and Fingers	N/A			
NI	–	Upper Left Support for Stationary Breaker 25”	193A1969G3			
NI	–	Upper Left Support for Stationary Breaker 33”	N/A			
NI	–	Upper Right Support for Stationary Breaker 25”	193A1969G4			
NI	–	Upper Right Support for Stationary Breaker 33”	N/A			
3I	43	Upper Stud & Terminal Assembly	N/A			

NI: Not illustrated in section.

N/A: Not applicable.



40 Low Voltage Circuit Breaker Parts

Table 3-2, AKR-75/100 Power Circuit Breakers

Fig. No.	Ref. No.	Description	Catalog Number	
			AKR-75	AKR-100
3A	1	Anti-Pump Relay "W" – R Connection Diagram	Table 3B	
NI	–	Anti – Walk Device	217C8243G1	
3R	2	Arc Quencher / Chute	161D6507G1	161D6507G2
NI	–	Arc Runner	N/A	
3N	3	Auxiliary Switch (Electroswitch)	Table 3M	
3I	4	Back Frame Assembly, Complete – 25" Wide	425D291G31	425D291G32
3I	4	Back Frame Assembly, Complete – 33" Wide	N/A	425D291G33
3O	5	Bell Alarm Assembly	Table 3N	
3A	6	Charging Motor with Driving Pawl	Table 3B	
NI	–	Closing Push Button Switch (includes insulator, mtg. hardware, and label)	192A9717G3	
3A	8	Closing Relay "X" – R Connection Diagram	Table 3B	
3A	9	Closing Solenoid Coil	Table 3B	
3A	10	Closing Solenoid Switchette (used in D.C. control only)	192A7153P3	
NI	–	Contact Finger	192A9669P1	
NI	–	Control Relays (Includes Anti – Pump and Closing Relay)	Table 3C	
3I	12	Crossbar Assembly With Anti-rebound Hook and Buffer Assembly	139C4412G1	
3S	14	Cut-off Switch Assembly – B Connection Diagram	139C4458G2	
3S	14	Cut-off Switch Assembly – DC	139C4458G3	
3S	14	Cut-off Switch Assembly – R Connection Diagram	139C4458G1	
3I	15	Drive Pin for Movable Arcing Contact	V6447153P1	
3I	15	Drive Pin for Movable Main Contact	193A1698P4	
NI	–	Driving Pawl	323A6079G1	
NI	–	Electrical Lockout Device for UNDV Device	139C4419G1	
3B	16	Escutcheon	Table 3D	
3T	17	Flux Shift Trip Device	Table 3U	
3C-3F	18, 19	Front Frame	Table 3E	
NI	–	Fuses	Table 3V-2	
NI	–	Fuse Mounting Assembly	N/A	
3G, 3H	20	Fuse Roll-Out Element	TAK83FCB	TAK94FCB
NI	–	Gear / Ratchet and Roller Assembly	568B252G1	
NI	–	Handle (Operating / Charging)	286A8096G2	N/A
3J	21	Heat Sinks, Inner (All Phases)	569B622P3	569B622P4
NI	–	Heat Sinks, Outer (Phase B Only)	569B622P1	569B622P2
NI	–	Holding Pawl	192A9982G1	
3A	7	"K" Relay – B Connection Diagram	Table 3B	
NI	–	Lifting Device / Breaker Spreader	0247B8528G001	
3I	22	Link (Insulated) for Center Pole	323A6026P1	
3I	22	Link (Insulated) for Outside Pole	193A1299P1	
3I	23	Lower Stud	139C4470G1	139C4470G2
NI	–	Lubricant / Grease for Drawout Breaker	282A2048P9	
NI	–	Maintenance Closing Handle	568B386G1	
NI	–	Motor Operating Gearbox Assembly	425D278G1	
3I	24	Movable Arcing Contact	K9921572G3	
3I	25	Movable Intermediate Contact – Left	193A1126G9	
3I	25	Movable Intermediate Contact – Right	193A1126G7	
3I	26	Movable Main Contact – Left	193A1126G10	
3I	26	Movable Main Contact – Right	193A1126G8	
4A	–	MVT Tapped CT Sensor (See Section 4)	Table 4A	
4B	–	MVT Fixed CT Sensor (See Section 4)	Table 4B	
4C	–	MVT Neutral CT Sensor Disconnects (See Section 4)	Table 4C	

NI: Not illustrated in section.

N/A: Not applicable.

For more information contact your authorized GE sales representative or GE distributor.

Table 3-2, AKR-75/100 Power Circuit Breakers, Cont'd.

Fig. No.	Ref. No.	Description	Catalog Number	
			AKR-75	AKR-100
NI	–	MVT Neutral CT Sensor (See Section 4)	Table 4E	
NI	–	MVT Programmer Mounting (See Section 4)	Table 4G	
4E	–	MVT PM Programmer (See Section 4)	Table 4H	
4F	–	MVT+ Programmer (See Section 4)	Table 4H	
3U	27	Open Fuse Lock-Out (OFLO) Device	121C2870G3	121C2870G4
NI	–	Open Fuse Lock-Out (OFLO) Harness	425D368G2	
NI	–	Operations Counter – Electric Breaker	568B413G1	
NI	–	Operations Counter – Manual Breaker	568B410G1	
NI	–	Pawl, Driving	323A6079G1	
NI	–	Pawl, Holding / Ratchet	192A9982G2	
3I	28	Pin (Steel) for Movable Arcing Contact	193A1296P5	193A1296P3
3I	28A	Pin (White Plastic) for Movable Arcing Contact	192A7573P297	192A7573P298
3I	29	Pin for Stationary Arcing Contact	K6404793P4	K6404793P5
3I	30	Pivot Pin for Movable Main Contact	193A1296P2	193A1298P1
3I	31	Pole Unit – Center Pole for AKR – 4, –5	425D301G1	425D301G2
3I	31	Pole Unit – Center Pole for AKR – 6, –7, –8	161D6506G5	161D6506G6
3I	31	Pole Unit – Outside Pole (Phase A or C) for AKR – 4, –5	425D301G3	425D301G4
3I	31	Pole Unit – Outside Pole (Phase A or C) for AKR – 6, –7, –8	161D6506G7	161D6506G8
NI	–	Positive Interlock – Left Side	193A1406G1	
NI	–	Positive Interlock – Right Side	568B699G1	
3J	32	Primary Disconnect – Finger Type / Drawout Breaker	Table 3G	
3J	32	Primary Disconnect – Finger Type / Stationary Breaker	Table 3H	
3L	33	Primary Disconnect – Tube Type	568B384P1	
NI	–	Racking Crank	568B731G1	
3M	34	Racking Mechanism for Drawout Breaker	Table 3K	
3K	35	Secondary Disconnect (Movable) Device for Drawout Breakers	Table 3J	
NI	–	Secondary Disconnect (Movable) Device for Stationary Breakers	425D367G4	
NI	–	Secondary Disconnect (Stationary) – Cubicle Mounted	0176D7926G001	
NI	–	Secondary Disconnect Harness – Drawout Breakers	425D367G3	
3P	36	Shunt Trip Device	Table 3O	
NI	–	Shunt Trip Device (2nd)	Table 3P	
NI	–	Side Link – Left (1 per pole)	193A1277G1	
NI	–	Side Link – Right (1 per pole)	193A1277G2	
NI	–	Spring for Stationary Arcing Contact – Inner	K6509859P1	
NI	–	Spring for Stationary Arcing Contact – Outer	K6509858P1	
NI	–	Spring for Stationary Intermediate Contact	412A288P1	
3I	37	Spring for Stationary Main Contact	412A288P1	
3I	38	Stationary Arcing Contact	295B408G3	
3I	39	Stationary Intermediate Contact – Left	193A1127G2	
3I	39	Stationary Intermediate Contact – Right	193A1127G1	
3I	40	Stationary Main Contact – Left	193A1125G2	
3I	40	Stationary Main Contact – Right	193A1124G1	
NI	41	Undervoltage Device With No UNDV Time Delay	Table 3R	
NI	–	Undervoltage Device With UNDV Time Delay	Table 3Q	
3J	42	Upper Connectors and Fingers	139C4549G3	139C4549G4
NI	–	Upper Left Support for Stationary Breaker 25"	193A1969G1	
NI	–	Upper Left Support for Stationary Breaker 33"	N/A	193A1969G5
NI	–	Upper Right Support for Stationary Breaker 25"	193A1969G2	
NI	–	Upper Right Support for Stationary Breaker 33"	N/A	193A1969G6
3I	43	Upper Stud & Terminal Assembly	425D288G1	425D288G2

NI: Not illustrated in section.

N/A: Not applicable.



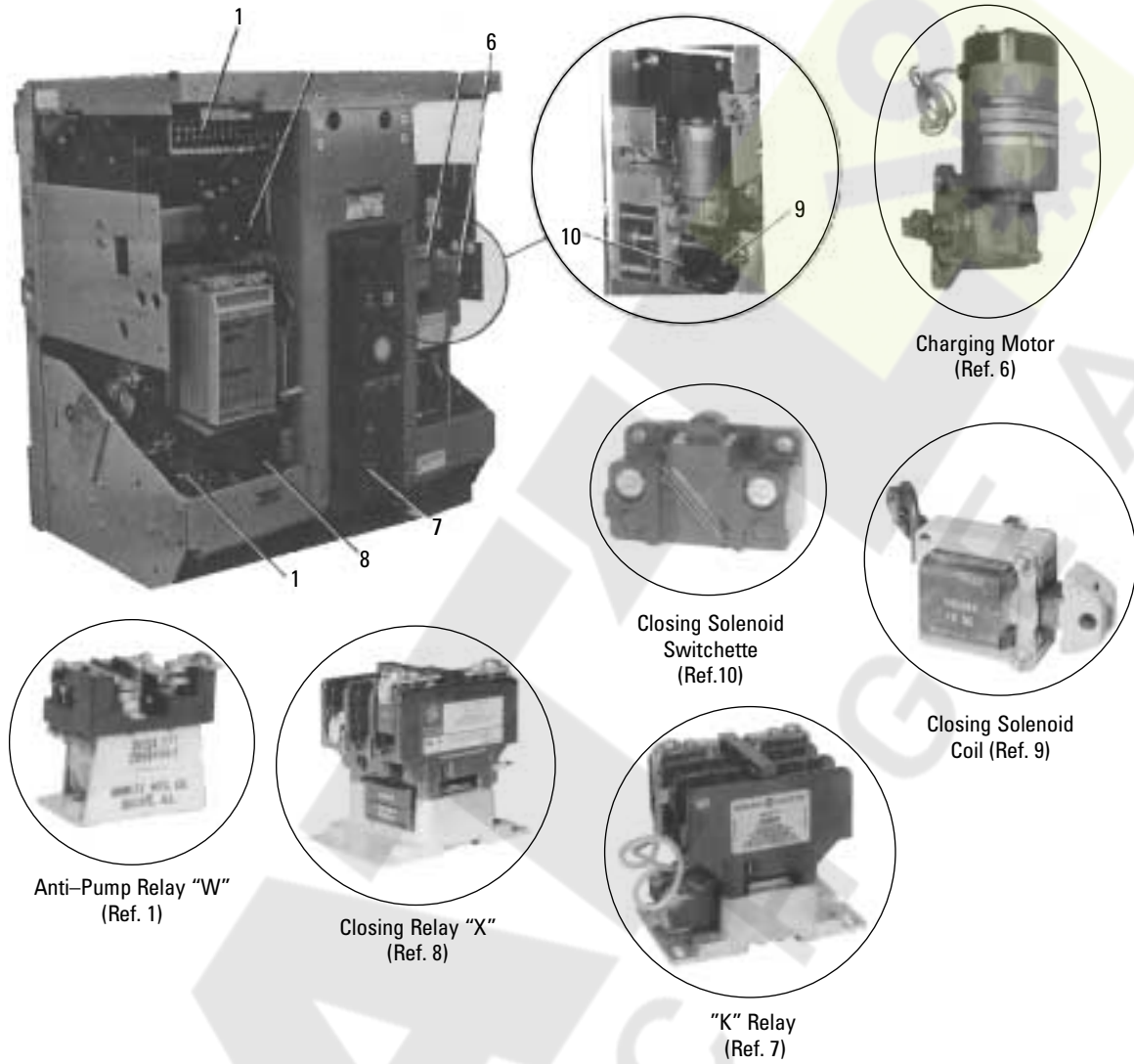


Figure 3A: Front View of Control Component

Table 3A, AKR-75/100 Power Circuit Breakers				
Fig. No.	Ref. No.	Description	Catalog Number	
			AKS/AKSU-50 AKS/AKST-50H	AKR-75 AKR-100
3A	1	Anti-Pump Relay "W"-R Connection Diagram	Table 3B	
3A	6	Charging Motor with Driving Pawl	Table 3B	
3A	7	"K" Relay-B Connection Diagram	Table 3B	
3A	8	Closing Relay "X"-R Connection Diagram	Table 3B	
3A	9	Closing Solenoid Coil	Table 3B	
3A	10	Closing Solenoid Switchette (used in D.C. control only)	192A7153P3	
3B	16	Escutcheon	Table 3D	
3C-3F	18	Front Frame (Electric Breaker) Complete-25" Wide	Table 3E	

Table 3B, Relays, Closing Solenoid Coil and Charging Motor –See Figures 3A

Breaker Type	Voltage (V)	Frequency (Hz)	Closing "X" Relay	Anti-Pump "W" Relay	"K" Relay	Closing Solenoid Coil	Charging Motor			
AKS/AKSU-50 AKS/AKST-50H AKR-75/100	48	DC	192A9770	P1	192A9770	192A9770	568B596			
	125			P2				P13	P11	G4
	250			P3				P14	P12	G5
	120	60		P4	N/A	P13		G6		
		50		P5	P15	P14		G5		
	208	60		P6	P16	P15		P21	G6	
		50		P7		P16				P23
	240	60		P8	P16	P16		P16	G6	
		50		P9		P17				P17

Table 3C, Control Relays**

Breaker Type	Voltage Operation	Closing Frequency (Hz)	Voltage (V)	Catalog Number
AKS/AKSU-50 AKS/AKST-50H AKR-75/100	B-Elec (QC-Elec)	50	120	G16
			208	G19
			240	G22
		60	120	G17
			208	G20
			240	G23
		DC	48DC	G13
			125DC	G14
			250DC	G27
	E-Elec	50	120	G28
			240	G30
		60	120	G29
			240	G31
		DC	48DC	G25
			125DC	G26

** Includes Anti-pump and Closing Relays, Cut-off Switch, and Closing Solenoid Coil

Table 3D, Escutcheon

Breaker Type	Operation	Application	Local Close Switch	Trip Type	Catalog Number	
AKS-50 AKSU-50 AKS-50H AKST-50H AKR-75 AKR-100	Electric	AKD-8	Yes	—	G4	
			No		G5	
		Substructure	Yes		568B446	G1
			No			G2
		—	Yes		568B451	G7
			—			G1
	Manual	AKD-8	Yes	—	568B446	G8
			No			G2
		Substructure	—		568B451	G9
			—			G3

—Any legitimate alternative condition.



Figure 3B: Escutcheon
—(Ref. 16)



Table 3E, Front Frame – See Fig. 3C, 3D, 3E, 3F

Breaker Type	Operation	Catalog Number	
AKST-50H	Manual	425D287	G5
	Electrical	425D289	G9
AKSU-50 AKS-50/50H	Manual	425D287	G4
	Electrical	425D289	G7
AKR-75	Electrical	425D289	G13
AKR-100 (25")			G14
AKR-100 (33")			G15
AKR-75	Manual	425D287	G1
AKR-100 (25")			G3
AKR-100 (33")			G2

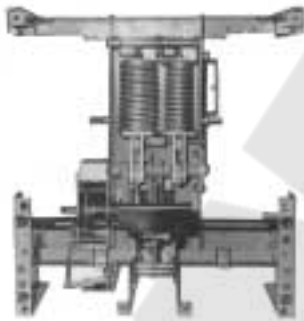


Figure 3C: Electric Front Frame (back view)–(Ref. 18)



Figure 3D: Electric Front Frame (side view)–(Ref. 18)

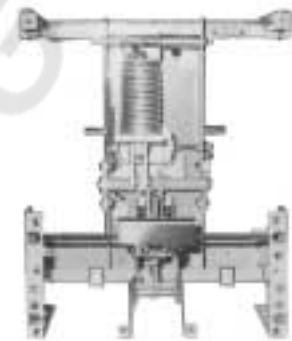


Figure 3E: Manual Front Frame (back view)–(Ref. 19)

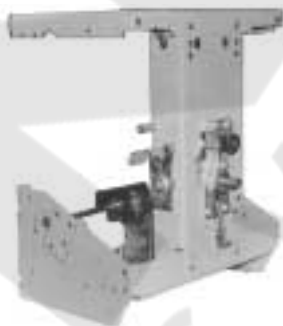


Figure 3F: Manual Front Frame (side view)–(Ref. 19)

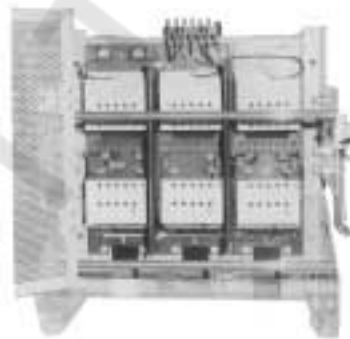


Figure 3G: Fuse Roll-Out Element (front view/cage open)–(Ref. 20)

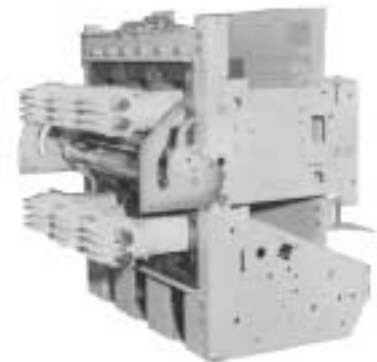
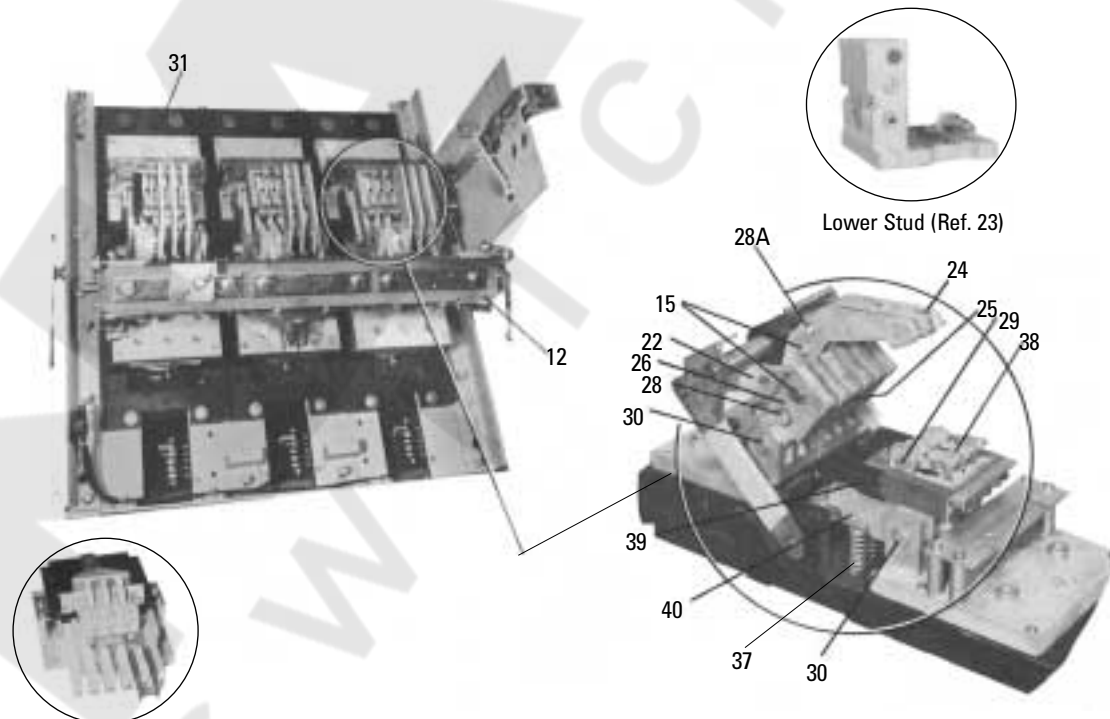


Figure 3H: Fuse Roll-Out Element (side & back view)–(Ref. 20)

Table 3F, AKR-75/100 Power Circuit Breakers

Fig. No.	Ref. No.	Description	Catalog Number		
			AKS/AKSU-50 AKS/AKST-50H	AKR-75	AKR-100
3I	12	Crossbar Assembly With Anti-rebound Hook and Buffer Assembly	139C4412G6	139C4412G1	
3I	15	Drive Pin for Movable Arcing Contact	V6447153P1		V6447153P2
3I	15	Drive Pin for Movable Main Contact	193A1698P4		193A1698P3
3G, 3H	20	Fuse Roll-Out Element	TAK83FCB		TAK94FCB
3I	22	Link (Insulated) for Center Pole	323A6026P1		
3I	22	Link (Insulated) for Outside Pole	193A1299P1		
3I	23	Lower Stud	N/A	139C4470G1	139C4470G2
3I	24	Movable Arcing Contact	K9921572G3		
3I	25	Movable Intermediate Contact-Left	193A1126G9		
3I	25	Movable Intermediate Contact-Right	N/A	193A1126G7	
3I	26	Movable Main Contact-Left	193A1126G10		
3I	26	Movable Main Contact-Right	N/A	193A1126G8	
3I	28	Pin (Steel) for Movable Arcing Contact	193A1296P5		193A1296P3
3I	28A	Pin (White Plastic) for Movable Arcing Contact	192A7573P297		192A7573P298
3I	29	Pin for Stationary Arcing Contact	N/A	K6404793P4	K6404793P5
3I	30	Pivot Pin for Movable Main Contact	N/A	193A1296P2	193A1298P1
3I	31	Pole Unit-Center Pole for AKR - 4, -5	N/A	425D301G1	425D301G2
3I	31	Pole Unit-Center Pole for AKR - 6, -7, -8	N/A	161D6506G5	161D6506G6
3I	31	Pole Unit-Outside Pole (Phase A or C) for AKR - 4, -5	N/A	425D301G3	425D301G4
3I	31	Pole Unit-Outside Pole (Phase A or C) for AKR - 6, -7, -8	N/A	161D6506G7	161D6506G8
3I	37	Spring for Stationary Main Contact	412A288P1		
3I	38	Stationary Arcing Contact	295B408G3		
3I	39	Stationary Intermediate Contact-Left	N/A	193A1127G2	
3I	39	Stationary Intermediate Contact-Right	193A1127G1		
3I	40	Stationary Main Contact-Left	N/A	193A1125G2	
3I	40	Stationary Main Contact-Right	193A1125G1		
3I	43	Upper Stud and Terminal Assembly	N/A	425D288G1	425D288G2



Upper Stud and Terminal Assembly (Ref. 43)

Figure 3I: Back Frame Assembly-Ref. 4



**Table 3G, Primary Disconnects
(Finger Type/Drawout Breakers)**

<i>Breaker</i>	<i>AC/DC</i>	<i>Application</i>	<i>Catalog Number</i>		
AKS/AKSU-50 AKS-50H	—	AKD	192A9668	G12	
		AKD-5			
		Substructure			
AKST-50H		AKD		139C4528	G13
		AKD-5			
		Substructure			
AKR-75	AC	AKD	139C4528		G1
		AKD-5			
		AKD-6			G25
		AKD-8			
	DC	Substructure		G7	
		AKD			
		AKD-5			G5
		AKD-6			
AKR-100	AC	AKD-8	139C4528	G2	
		Substructure			
		DC		AKD	G4
				AKD-5	
	AKD-6			G8	
	AKD-8				
	Substructure			G6	

—Any legitimate alternative condition.

**Table 3H, Primary Disconnects Assembly
(Finger Type/Stationary Breakers)**

<i>Breaker Type</i>	<i>AC/DC</i>	<i>Upper Stud</i>	<i>Lower Stud</i>	<i>Catalog Number</i>		
AKR-75 AKR-100	AC	Horizontal	Horizontal	139C4528	G19	
			Vertical		G20	
		Vertical	Horizontal		G21	
			Vertical		G22	
	DC	Horizontal	Horizontal		139C4528	G13
			Vertical			G14
Vertical		Vertical	G15			
		Horizontal	G16			

Table 3I, Secondary Disconnect (Movable Device for Stationary Breakers)

Fig. No.	Ref. No.	Description	Catalog Number		
			AKS/AKSU-50 AKS/AKST-50H	AKR-75	AKR-100
3J	21	Heat Sinks, Inner (All Phases)	N/A	569B622P3	569B622P4
NI		Heat Sinks, Outer (Phase B only)	N/A	569B6223P1	569B6223P2
3J	32	Primary Disconnect-Finger Type / Drawout Breaker	Table 3G		
3J	32	Primary Disconnect-Finger Type / Stationary Breaker	N/A	Table 3H	
3L	33	Primary Disconnect-Tube Type	N/A	568B384P1	
3M	34	Racking Mechanism for Drawout Breaker	N/A	Table 3K	
3K	35	Secondary Disconnect (Movable) Device for Drawout Breakers	Table 3J		
NI	-	Secondary Disconnect (Movable) Device for Stationary Breakers	N/A	425D367G4	
3J	42	Upper connector and Fingers	N/A	139C4549G3	139C4549G4

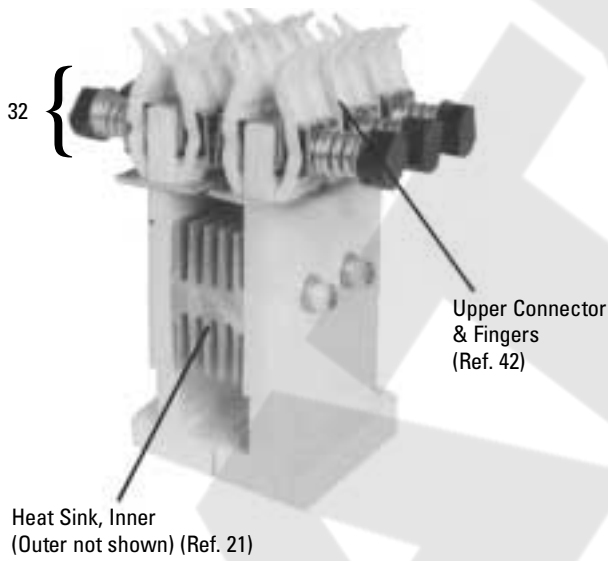


Figure 3J: Upper Connector, Fingers & Heat Sinks



Figure 3K: Secondary Disconnect (Movable) Device (7 Pt)
Contact Tip not shown - (Ref. 35)



Figure 3L: Primary Disconnect (Tube-Type)
-(Ref. 33)

Table 3J, Secondary Disconnect (Movable) Device for Drawout Breaker - See Figure 3K

Breaker	Application	Terminal Pts	Catalog Number	
AKS/AKSU-50 AKS/AKST-50H	—	7pt	139C4431	G7
		14pt		G8
		21pt		G9
AKR-75	—	7pt		G1
		14pt		G2
		21pt		G3
AKR-100	AKD and	7pt		G4
		14pt		G5
	AKD-5	21pt		G6
		AKD-6 and	7pt	G1
	14pt		G2	
	AKD-8	21pt	G3	

—Any legitimate alternative condition.



Table 3K, Racking Mechanism for Drawout Breakers
–See Figure 3M

Breaker Type	Operation	Application	Catalog Number	
AKR-75	Electric	AKD	425D293	G2
		Substructure		G1
AKR-100		AKD		G3
		Substructure		G1
AKR-75	Manual	AKD		G5
		Substructure		G4
AKR-100		AKD		G6
		Substructure		G4



Figure 3M: Racking Mechanism for Drawout Breaker–(Ref. 34)

Table 3L, Accessories for Power Circuit Breakers

Fig. No.	Ref. No.	Description	Catalog Number	
			AKR-75	AKR-100
3R	2	Arc Quencher/Chute #	242B7020G3	242B7020G4
3N	3	Auxiliary Switch (Electroswitch)	Table 3M	
3O	5	Bell Alarm Assembly	Table 3N	
3S	14	Cut-off Switch Assembly	Table 3T	
3P	36	Shunt Trip Device	Table 3O, 3P	
3Q	41	Undervoltage Device	Table 3Q, 3R	

As of January 1989, the AKR-75/100 breaker design incorporates asbestos-free arc chute. Older models of these breakers will require an Asbestos-Free Replacement Kit (see Modifications Section, page 225).



Figure 3N: Auxillary Switch (Electroswitch) –(Ref. 3)

Table 3M, Auxiliary Switch (Electroswitch)

Breaker Type	Application	# Poles	Aux Switch Contacts	Catalog Number	
AKS/AKSU-50 AKS/AKST-50H AKR-75 AKR-100	AKD-5 and AKD-6	3	6A & 6B	139C4526	G10
			5A & 5B*		G22
			3A & 3B		G11
			2A & 2B*@		G23
		2	6A & 6B		G4
			5A & 5B*		G15
			3A & 3B		G2
			2A & 2B*@		G13
AKS/AKSU-50 AKS/AKST-50H AKR-75 AKR-100	AKD-8		6A & 6B	139C4526	G28
			5A & 5B*		G27
			3A & 3B		G26
			2A & 2B*@		G25

*For Manually operated breakers only.
@ 2A & 2B with shunt trip is not allowed.
Note: 6A & 6B Auxiliary Switch Contacts denotes a 6 stage Auxiliary Switch.

Table 3N, Bell Alarm Assembly

Breaker Type	Lockout	Bell Alarm Contacts	Catalog Number	
AKS/AKSU-50 AKS/AKST-50H	Yes	1 NO & 1 NC	425D305	G10
		2 NO		G11
		2 NC		G12
	No	1 NO & 1 NC		G7
		2 NO		G8
		2 NC		G9
AKR-75 AKR-100	Yes	1NO & 1NC	425D305	G4
		2NO		G5
		2NC		G6
	No	1NO & 1NC		G1
		2NO		G2
		2NC		G3



Figure 3O: Bell Alarm Assembly



Table 30, Shunt Trip Device –See Figure 3P			
Breaker Type	Frequency (Hz)	Shunt Trip Voltage (V)	Catalog Number
AKS/AKSU-50 AKS/AKST-50H AKR-75 AKR-100	25	120	G9
		208	G12
		240	G16
		480	G20
		575	G23
	50	120	G8
		208	G11
		240	G14
		380	G17
		480	G19
		575	G22
	60	70	G6
		120	G7
		208	G10
		240	G13
		277	G25
		480	G18
		575	G21
		12DC	G24
	DC	24DC	G1
		32DC	G2
		48DC	G3
		125DC	G4
		250DC	G5
		139C4454	



Figure 3P: Shunt Trip Device (Ref. 36)

Table 3P, 2nd Shunt Trip Device			
Breaker Type	Frequency (Hz)	Voltage Shunt Trip-2 (V)	Catalog Number
AKR-75/100	60	120	G3
		240	G4
	DC	125DC	G1
		250DC	G2
		201C9031	

For more information contact your authorized GE sales representative or GE distributor.

Table 3Q, Undervoltage Device for Breakers with UNDV Time Delay

Breaker Type	UNDV or Elec. Lockout Voltage (V)	Catalog Number	
AKS/AKSU-50	208	139C4477	G24
	240		
AKS/AKST-50H	125DC		G5
AKR-75/100	250DC		G6



Figure 3Q: Undervoltage Device (Ref. 41)

Table 3R, Undervoltage Device for Breakers with No UNDV Time Delay (Instantaneous)–See Figure 3Q

Breaker Type	UNDV Volts (V)	Volt Frequency (Hz)	Catalog Number	
AKS/AKSU-50 AKS/AKST-50H AKR-75 AKR-100	120	25	139C4477	G9
	208			G12
	240			G16
	480			G20
	575			G23
	120	50		G8
	208			G11
	240			G14
	380			G17
	480			G19
	575	G22		
	120	60		G7
	208			G10
	240			G13
	480			G18
575	G21			
24DC	DC	G1		
48DC		G2		
125DC		G3		
250DC		G4		



Table 3S, Arc Quencher/Chute

Breaker Type	AC/DC	Catalog Number	
AKS/AKSU-50	AC	161D6507	G3
AKS/AKST-50H			G1
AKR-75			G2
AKR-100			



Figure 3R: Arc Quencher/Chute (Asbestos-free shown) - (Ref. 2)

Table 3T, Cut-off Switch Assembly

Breaker Type	Description	Catalog Number
AKS/AKSU-50	Cut-off Switch Assembly-B Connection Diagram	139C4458G2
AKS/AKST-50H	Cut-off Switch Assembly-DC	139C4458G3
AKR-75/100	Cut-off Switch Assembly-R Connection Diagram	139C4458G1



Figure 3S: Cut-Off Switch Assembly (Ref. 14)

Table 3U, Miscellaneous for Power Circuit Breakers

Fig. No.	Ref. No.	Description	Catalog Number	
			AKR-75	AKR-100
3T	17	Flux Shift Trip Device-25" Wide Breaker	425D385G90	
3T	17	Flux Shift Trip Device-33" Wide Breaker	N/A	425D385G91
3U	27	Open Fuse Lock-Out (OFLO)	121C2870G3	121C2870G4



Figure 3T: Flux Shift Trip Device (Ref. 17)



Figure 3U: Open Fuse Lock-Out Device (OFLO) - (Ref. 27)

Table 3V-1, Fuses (Gould-Shawmut)

Fuse Rating	Obsolete GE Catalog Number	Gould # Equiv. Catalog Number	Class	
150A	GF8B150	A4J150	J	
200A	GF8B200	A4J200		
225A	GF8B225	A4J225		
300A	GF8B300	A4J300		
325A	GF8B325	A4J325		
400A	GF8B400	A4J400		
450A	GF8B450	A4J450		
500A	GF8B500	A4J500		
600A	GF8B600	A4J600		
601A	GF8B601	A4BY601		L
650A	GF8B650	A4BY650		
700A	GF8B700	A4BY700		
800A	GF8B800	A4BY800		
1000A	GF8B1000	A4BY1000 BG ¹		
1200A	GF8B1200	A4BY1200 BG ¹		
1400A	GF8B1400	-		
1600A	GF8B1600	A4BY1600 BG ¹		
2000A	GF8B2000	A4BY2000		
2500A STD	GF8B2500	A4BY2500		
3000A	GF8G3000	A4BY3000 ²		
4000A	GF8F4000	A4BY4000 ³		

General Electric Type J and L fuses are now obsolete, and no longer used in type AKRU low-voltage power circuit breakers.

Gould-Shawmut fuses are now used. The chart cross-references the obsolete GE catalog number and the replacement Gould-Shawmut catalog numbers.

¹ Suffix or type BG denotes cut-out on tang.

² Used on TAK8SS02 Fuse Carriage.

³ Used on TAK9SS02 Fuse Carriage.

Table 3V-2, Allowable Fuse Sizes for AKR-75, AKR-100

Breaker Type	Rating Plug Rating	Max. Gould-Shawmut Class "L" Fuse Size	Min. Gould-Shawmut Class "L" Fuse Size	Min. Gould-Shawmut Class "J" Fuse Size
AKRU-75	3200A and Below	3000A	2000A	N/A
AKRU-100	4000A and Below	4000A	2000A	N/A

Table 3W, Fuse Mounting Assembly

Breaker Type	Application	Fuse Rate	Catalog Number	
AKSU-50 AKST-50H	AKD	600A	425D355	G1
		800A		G2
		Other		
	AKD-5	600A	425D353	G1
		800A		G2
		Other		



Table 3–3, AK–75 Obsolete Power Circuit Breaker

AK–75 Power Circuit Breaker Obsolescence Statement: The AK–75 is no longer a manufactured breaker. Many of the items originally identifies as renewal parts have become unavailable. The following parts list is a reproduction of parts found in Bulletin GEF–4150. The notes column identifies those parts that are no longer available. The reference number listed refers to the GEF–4150 reference number.

GEF–4150 Ref. No.	Description	Catalog Number	Notes
161	"O" ring for plug	393A992P1	OBSOLETE
194	Adjusting plate	698C996G3	OBSOLETE
194	Adjusting plate	887B387G3	Electrical Breakers
195	Adjusting plate	372A320P1	OBSOLETE
211	Anti rebound hook and slider	801B138G2	OBSOLETE
211	Anti rebound hook and slider	238C191P1	OBSOLETE
212	Anti rebound hook and slider	801B138G4	OBSOLETE
48	Arc quencher plate AC	6414485P2	OBSOLETE
48	Arc quencher plate, DC	293B244P1	@@@
48	Arc quencher plate, DC	6414485P2	OBSOLETE
64	Arc quencher tie bar	372A305P1	OBSOLETE
64	Arc quencher tie bar	372A305P7	OBSOLETE
64	Arc quencher tie bar	372A305P5	
47	Arc quencher, AC	238D674G4	OBSOLETE
47	Arc quencher, AC	175L303G3	OBSOLETE
47	Arc quencher, DC	175L303G2	OBSOLETE
47	Arc quencher, DC	293B242P1	OBSOLETE
188	Auxiliary switch bracket	6555155P1	OBSOLETE
192	Auxiliary switch coupling	127A7439P1	OBSOLETE
187	Auxiliary switch crank bracket	411A952G1	
190	Auxiliary switch link assembly	848C411G1	OBSOLETE
190	Auxiliary switch link assembly	887B386G1	OBSOLETE
190	Auxiliary switch link assembly	887B386G2	OBSOLETE
195	Auxiliary switch operating rod	127A6463G2	OBSOLETE
183	Auxillary switch, 2 stage	6353562G2	OBSOLETE
183	Auxillary switch, 3 stage	6353562G3	OBSOLETE
183	Auxillary switch, 5 stage	6353532G5	OBSOLETE
183	Auxillary switch, 6 stage	6353562G6	OBSOLETE
60	Baffle, AC	372A498G1	OBSOLETE
60	Baffle, DC	372A498G2	OBSOLETE
1	Base for pole unit	195A8807G1	OBSOLETE
1	Base for pole unit	256C751P1	OBSOLETE
135	Bearing	393A7969P3	OBSOLETE
151	Bearing	698C995P2	OBSOLETE
36	Block	457A624G2	OBSOLETE
6	Block, AC	452A542P1	
52	Block, AC	371A206P2	OBSOLETE
52	Block, AC	6203945P1	OBSOLETE
6	Block, DC	449A996P3	%%%
6	Block, DC	449A996P2	\$\$\$
52	Block, DC	371A206P3	OBSOLETE
52	Block, DC	6203945P2	OBSOLETE
189	Bracket for breaker without auxiliary switch	273B595G1	OBSOLETE
100	Buffer assembly	457A627G1	
100	Buffer assembly	433A216G1	OBSOLETE
127	Buffer pin	698C993P4	

@@@Does not include electrical breakers with no suffix or numeral.
 \$\$\$Refers to –A Breakers only (e.g. AK–2A–75–1)
 %%%Refers to breakers without a –A (e.g. AK–2–75–1)

Table 3–3, AK–75 Obsolete Power Circuit Breaker

AK–75 Power Circuit Breaker Obsolescence Statement: The AK–75 is no longer a manufactured breaker. Many of the items originally identifies as renewal parts have become unavailable. The following parts list is a reproduction of parts found in Bulletin GEF–4150. The notes column identifies those parts that are no longer available. The reference number listed refers to the GEF–4150 reference number.

GEF–4150 Ref. No.	Description	Catalog Number	Notes
130	Buffer stop nut	393A993P24	OBSOLETE
128	Buffer support	698C993P3	
129	Buffer washer	698C993P5	
88	Cam	6414743P1	OBSOLETE
51	Cap, AC	6555518P2	OBSOLETE
51	Cap, DC	6555518P1	OBSOLETE
39	Center main arcing contact pin	6203981P10	OBSOLETE
198	Charged and discharged indicator	265B268G2	Electrical Breakers
111	Clevis	412A413P3	@@@
111	Clevis	412A413P1	OBSOLETE
	Clip	459A375G1	OBSOLETE
	Clip	6447449P1	OBSOLETE
175	Closing relay	Table 4395A	Electrical Breakers
131	Closing spring assembly	889B0408G2	Manual Breakers
131	Closing spring assembly	273B569G9	Electrical Breakers
101	Counterweight	383A671G2	@@@
101	Counterweight	394A140P1	OBSOLETE
110	Coupling	6555414P1	OBSOLETE
76	Coupling	174B536P1	OBSOLETE
134	Crank	698C992G10	OBSOLETE
134	Crank	259C615G1	OBSOLETE
134	Crank	801B154G2	OBSOLETE
134	Crank	801B154G4	OBSOLETE
134	Crank	698C992G4	OBSOLETE
65	Cross bar	267B125P1	
169	Cut–off switch (F)	192A7153P7	
167	Cut–off switch (G)	192A7153P8	
170	Cut–off switch cover	371A235P1	Electrical Breakers
168	Cut–off switch insulation	174V521P1	OBSOLETE
172	Cut–off switch lever bracket	371A234G1	Electrical Breakers
171	Cut–off switch mounting bracket	371A233G1	Electrical Breakers
173	Cut–off switch retainer	394A133P9	Electrical Breakers
174	Cut–off switch spacer	6176109P17	OBSOLETE
77	Dowel pin	127A6493P2	OBSOLETE
205	Drawout racking mechanism	549D466P1	OBSOLETE
205	Drawout racking mechanism	669D0817P1	OBSOLETE
205	Drawout racking mechanism	175L317G4	OBSOLETE
70	Front escutcheon (black)	698C997P1	OBSOLETE
70	Front escutcheon (blue)	698C997P5	OBSOLETE
70	Front escutcheon (blue)	805B975P2	OBSOLETE
69	Front escutcheon (w/o closing switch,)	275B997P2	OBSOLETE
69	Front escutcheon (with closing switch)	275B997P1	OBSOLETE
165A	Gasket between gear housing and end plate	6447102P1	Electrical Breakers
165	Gasket between gear housing and motor	6447101P1	Electrical Breakers
73	Hand trip paddle	6203939P1	%%%
73	Hand trip paddle	K6203939P5	\$\$\$

@@@Does not include AK–2–75 electrical breakers with no suffix or numeral.

\$\$\$Refers to –A Breakers only (e.g. AK–2A–75–1)

%%%Refers to breakers without a –A (e.g. AK–2–75–1)



Table 3–3, AK–75 Obsolete Power Circuit Breaker

AK–75 Power Circuit Breaker Obsolescence Statement: The AK–75 is no longer a manufactured breaker. Many of the items originally identifies as renewal parts have become unavailable. The following parts list is a reproduction of parts found in Bulletin GEF–4150. The notes column identifies those parts that are no longer available. The reference number listed refers to the GEF–4150 reference number.

GEF–4150 Ref. No.	Description	Catalog Number	Notes
74	Hand trip paddle clamp	192A9567P1	
67	Handle	6548046P3	OBSOLETE
67	Handle	286A8096G2	Manual Breakers
68	Handle and Buffer assembly	116B7107G1	OBSOLETE
45	Horizontal stationary stud	256C754G1	%%%
149	Indicator (when ordering indicator include label Ref. No. 158)	698C996G1	Manual Breakers
157	Indicator crank assembly	698C995G2	OBSOLETE
155	Indicator lever assembly	698C995G1	OBSOLETE
155	Indicator lever assembly	698C995G3	OBSOLETE
58	Inner barrier, AC & DC	6414492P1	OBSOLETE
	Instantaneous undervoltage device AC	269C282G2	
	Instantaneous undervoltage device DC	269C282G5	OBSOLETE
27	Insulating tube	6447741P2	
14	Insulation for stationary arcing contacts, AC	459A373P1	@@@
14	Insulation for stationary arcing contacts, AC	6555406P2	***
14	Insulation for stationary arcing contacts, DC	459A173P2	@@@
14	Insulation for stationary arcing contacts, DC	6555406P1	***
31	Intermediate movable contacts	193A1126G1	@@@
31	Intermediate movable contacts	2603975G2	OBSOLETE
218	Label (charge indicator)	698C997P4	OBSOLETE
103	Latch	848C0487P2	OBSOLETE
103	Latch	433A214G1	OBSOLETE
105	Latch bolt	V6444916P1	
42	Leaf spring for movable main contact	433A318P1	@@@
42	Leaf spring for movable main contact	6555117P1	***
13	Leaf spring for stationary arcing contacts, AC	433A319P1	@@@
13	Leaf spring for stationary arcing contacts, DC	433A319P2	@@@
	Leaf Spring for stationary main contacts	433A320P1	OBSOLETE
63	Lifting bracket, left	372A275G2	
63	Lifting bracket, left	372A275G4	OBSOLETE
62	Lifting bracket, right	372A275G1	
62	Lifting bracket, right	372A275G3	OBSOLETE
89	Link assembly	175L315G40	OBSOLETE
33	Link assembly for main movable contact	K6404784P4	OBSOLETE
33	Link assembly for main movable contact	6404784p3	OBSOLETE
89	Link assembly]	457A622G1	@@@
26	Link for movable arcing contact	275B975P1	OBSOLETE
26	Link for movable arcing contact	383A681P1	***
26	Link for movable arcing contact	383A681P2	***
26	Link for movable arcing contact, DC	127A6457P1	@@@
207	Link spring	412A135P1	OBSOLETE
126	Lower spring guide assembly pin	6647032P2	Manual Breakers
126	Lower spring guide assembly pin	6647032P1	Electrical Breakers
46	Lower stud head	238D674G2	
164	Lubricant for gear box	393A991P1	
59	Magnet, AC	371A205P2	OBSOLETE

***Only available for AK–2–75 breakers with no suffix letter or numeral.

@@@Does not include AK–2–75 electrical breakers with no suffix or numeral.

%%%Refers to breakers without a –A (e.g. AK–2–75–1)

Table 3–3, AK–75 Obsolete Power Circuit Breaker

AK–75 Power Circuit Breaker Obsolescence Statement: The AK–75 is no longer a manufactured breaker. Many of the items originally identifies as renewal parts have become unavailable. The following parts list is a reproduction of parts found in Bulletin GEF–4150. The notes column identifies those parts that are no longer available. The reference number listed refers to the GEF–4150 reference number.

GEF–4150 Ref. No.	Description	Catalog Number	Notes
59	Magnet, DC	452A523P1	OBSOLETE
41	Main contact pivot pin	6203981P12	OBSOLETE
30	Main movable contact	193A1126G2	@@@
30	Main movable contacts	6203978G1	OBSOLETE
166	Motor, 115 volts, 25, 50, 60 cycles and 125 volt DC	5P99MA6	OBSOLETE
166	Motor, 208–230 volts, 25, 50, 60 cycles and 250 volt DC	5P66MA7	OBSOLETE
22	Movable arcing contact	K9921572G2	
22	Movable arcing contact (DC only)	6404753P1	
186	Movable contact	127A6728P1	OBSOLETE
60	Muffler and Baffle assembly, AC	175L303G39	OBSOLETE
60	Muffler and Baffle assembly, DC	175L303G40	OBSOLETE
197	Open and close indicator	265B268G1	OBSOLETE
197	Open and close indicator	265B268G3	***
196	Open and close indicator link	6555156G1	OBSOLETE
196	Open and close indicator link	6203934P1	OBSOLETE
158	Open–close label	259C608P3	Manual Breakers
66	Opening spring	6509813P1	
116	Overcurrent device trip paddle	889B0424P10	OBSOLETE
206	Pawl spring	365A313P1	***
125	Pawl spring rollers	698C996P13	Manual Breakers
124	Pawl spring support (lower)	698C996G4	Manual Breakers
123	Pawl spring support (upper)	698C996G5	Manual Breakers
143	Pawl with spring (front)	698C985G2	Manual Breakers
142	Pawl with spring (rear)	698C985G1	Manual Breakers
61	Phase barrier	267B129P1	
90	Pin	6447099P1	
92	Pin	6447099P1	OBSOLETE
112	Pin	412A405P414	
113	Pin	6447744P1	OBSOLETE
148	Pin	698C991P10	Manual Breakers
82	Pin	174V531P1	OBSOLETE
193	Pin for auxiliary switch linkage	6076402P203	OBSOLETE
199	Pin for indicator	174V532P1	Electrical Breakers
199	Pin for indicator	174V561P1	OBSOLETE
23	Pin for movable arcing contact lin, AC	6447153P1	
23	Pin for movable arcing contact lin, AC	6447153P4	OBSOLETE
23	Pin for movable arcing contact link, DC	6447153P2	
28	Pin for side link	6555600P1	
32	Pivot pin for main movable contacts	6447192P1	
9	Pivot pin for stationary arcing contact, AC	6404793P2	
9	Pivot pin for stationary arcing contact, DC	6404793P1	
15	Pivot pin for stationary main contacts	6203921P8	
160	Plug	6447398P1	OBSOLETE
56	Pocket barrier, left	6414494P1	OBSOLETE
56	Pocket barrier, right	6414494P2	OBSOLETE
87	Prop	419A366P1	OBSOLETE

***Only available for AK–2–75 breakers with no suffix letter or numeral.

@@@Does not include AK–2–75 electrical breakers with no suffix or numeral.



Table 3–3, AK–75 Obsolete Power Circuit Breaker

AK–75 Power Circuit Breaker Obsolescence Statement: The AK–75 is no longer a manufactured breaker. Many of the items originally identifies as renewal parts have become unavailable. The following parts list is a reproduction of parts found in Bulletin GEF–4150. The notes column identifies those parts that are no longer available. The reference number listed refers to the GEF–4150 reference number.

GEF–4150 Ref. No.	Description	Catalog Number	Notes
107	Prop	698C993G1	Manual Breakers
145	Prop	698C91G4	Manual Breakers
108	Prop	9921596G1	OBSOLETE
147	Prop spring	412A280P1	
114	Prop stop	412A412P2	
136	Ratchet assembly	698C987G1	OBSOLETE
163	Ratchet pin	372A283P1	OBSOLETE
	Reduction gear unit assembly (quick close)	177K362G3	OBSOLETE
159	Reduction gear unit assembly (standard)	177L362G2	OBSOLETE
104	Reset Latch	889B0410G1	@@@
104	Reset Latch	9921607G3	OBSOLETE
85	Retainer	394A133P10	OBSOLETE
91	Retainer	394S133P11	OBSOLETE
109	Retainer	2132506000	
141	Retainer	394A133P28	
146	Retainer	394A933P3	OBSOLETE
200	Retainer for indicator pin	394A133P7	Electrical Breakers
79	Retainer for trip shaft	394A133P1	
81	Retainer for trip shaft bearing	394A133P16	
122	Retaining ring	394A133P4	OBSOLETE
152	Rod	127A6493P3	
139	Roll pin	394A137P12	
150	Roll pin	394A137P11	
115	Screw for prop stop	411A984P1	OBSOLETE
213	Secondary disconnect device (7 point)	386A110G2	
138	Shaft assembly	698C990G1	OBSOLETE
178	Shunt trip coil	Table 4395A	
177	Shunt trip device	622C502G1	
176	Shunt trip device support	449S537P1	
57	Side barrier	64144939P1	OBSOLETE
38	Side link shield pin	6555423P2	
35	Side link, left	457A624G2	
35	Side link, left	175L30G37	OBSOLETE
34	Side link, right	457A624G1	@@@
34	Side link, right	175L304G37	***
50	Side support, left	265B248P2	OBSOLETE
50	Side support, left	6404723P2	OBSOLETE
49	Side support, right	265B2485P2	OBSOLETE
49	Side support, right	6404723P1	OBSOLETE
5	Spacer	293B223P3	@@@
53	Spacer	6555111P1	OBSOLETE
83	Spacer	457A681P3	OBSOLETE
84	Spacer	457A681P1	OBSOLETE
209	Spacer (left)	148A1946P7	OBSOLETE
210	Spacer (right)	148A1946P8	OBSOLETE
1	Spacer for base	372A440P1	OBSOLETE

***Only available for AK–2–75 breakers with no suffix letter or numeral.

@@@Does not include AK–2–75 electrical breakers with no suffix or numeral.

\$\$\$Refers to –A Breakers only (e.g. AK–2A–75–1)

%%Refers to breakers without a –A (e.g. AK–2–75–1)

For more information contact your authorized GE sales representative or GE distributor.

Table 3–3, AK–75 Obsolete Power Circuit Breaker

AK–75 Power Circuit Breaker Obsolescence Statement: The AK–75 is no longer a manufactured breaker. Many of the items originally identifies as renewal parts have become unavailable. The following parts list is a reproduction of parts found in Bulletin GEF–4150. The notes column identifies those parts that are no longer available. The reference number listed refers to the GEF–4150 reference number.

GEF–4150 Ref. No.	Description	Catalog Number	Notes
201	Spacer for indicator	6176109P7	OBSOLETE
93	Spacer for pin Ref. No. 92	148A1932P5	OBSOLETE
44	Spacer for stationary main contact stop	453A116P3	
121	Spacer for upper spring guide assembly pin (left side)	148A1946P1	@@@
119	Spacer for upper spring guide assembly pin (middle)	148A41946P3	OBSOLETE
118	Spacer for upper spring guide assembly pin (right side)	148A1946P10	@@@
53	Spacer, AC	372A464P2	OBSOLETE
53	Spacer, DC	452A524P2	OBSOLETE
86	Spring	412A140P1	OBSOLETE
106	Spring	6403348P1	
140	Spring	127A8306P1	
154	Spring	412A267P1	
156	Spring	412A292P1	
144	Spring arm	846C817G1	OBSOLETE
202	Spring for indicator	365S305P1	Electrical Breakers
208	Spring for racking mechanism	846C0839P10	OBSOLETE
162	Spring for ratchet pin	6509871P1	OBSOLETE
12	Spring for stationary arcing contacts (inner) AC & DC	6509859P1	
11	Spring for stationary arcing contacts (outer) AC & DC	6509858P1	
21	Spring for stationary main contact	412A0288P1	@@@
21	Spring for stationary main contact	6509811P1	***
98	Spring guide (lower)	6447353P1	OBSOLETE
94	Spring guide (upper)	6447331P1	
10	Spring guide for stationary arcing contact springs	6447046P1	
95	Spring reset	6403393P1	OBSOLETE
96	Spring reset (inner)	148A2214P1	@@@
97	Spring reset (outer)	148A2213P1	@@@
99	Spring support assembly	6203914G1	
182	Static timing device, 125 V DC	TAKYUVT–1	
182	Static timing device, 230V 60Hz	TAKYUVT–3	
182	Static timing device, 250V DC	TAKYUVT–2	
8	Stationary arcing contact, AC or DC	295B408G3	***
8	Stationary arcing contact, DC	6203966G1	@@@
184	Stationary contact, center	389A865G1	OBSOLETE
185	Stationary contact, outside	389A865G2	OBSOLETE
	Stationary intermediate contact	6203979G2	OBSOLETE
18	Stationary intermediate contact (includes barrier)	193A1127G1	@@@
17	Stationary main contact	293B221G5	
	Stationary main contact	6203979G1	OBSOLETE
55	Steel back plat, AC	371A209P2	OBSOLETE
55	Steel back plate, AC	6203944P1	OBSOLETE
55	Steel back plate, DC	6203944P2	OBSOLETE
55	Steel back plate, DC	452A524P1	OBSOLETE
43	Stop for stationary main contacts	449A993P1	###
43	Stop for stationary main contacts	6414518P2	***
7	Stop, AC	449A994P3	

***Only available for AK–2–75 breakers with no suffix letter or numeral.

@@@Does not include AK–2–75 electrical breakers with no suffix or numeral.

%%%Refers to breakers without a –A (e.g. AK–2–75–1)



Table 3–3, AK–75 Obsolete Power Circuit Breaker

AK–75 Power Circuit Breaker Obsolescence Statement: The AK–75 is no longer a manufactured breaker. Many of the items originally identifies as renewal parts have become unavailable. The following parts list is a reproduction of parts found in Bulletin GEF–4150. The notes column identifies those parts that are no longer available. The reference number listed refers to the GEF–4150 reference number.

GEF–4150 Ref. No.	Description	Catalog Number	Notes
7	Stop, AC	412A444P1	
7	Stop, DC	296B223P1	
7	Stop, DC	412A444P3	
45	Stud, drawout	256C850P1	
137	Support assembly	698C988G1	OBSOLETE
132	Support for crank	698C992G5	OBSOLETE
133	Support for crank	393A554P1	OBSOLETE
54	Support, AC	372A464P2	OBSOLETE
54	Support, AC	6414486P1	OBSOLETE
54	Support, DC	452A524P2	OBSOLETE
54	Support, DC	6414424P1	OBSOLETE
203	Terminal board (4point)	6293908G185	OBSOLETE
204	Terminal board (6 point)	6293908G168	OBSOLETE
71	Trip button and rod assembly	411A904G5	###
71	Trip button and rod assembly	411A904G2	***
72	Trip button spring	412A139P1	
78	Trip shaft (center)	276B250P2	
75	Trip shaft (outside)	276B250P2	
80	Trip Shaft bearing (side sheets and mechanism frame)	377A871P5	
102	Trip shaft return spring	412A269P1	OBSOLETE
102	Trip shaft return spring	412A234P1	OBSOLETE
117	Trip Shaft stop	6447767P1	
153	Tube	698C995P14	
180	Undervoltage device coil	Table 4395A	
179	Undervoltage device support	423A380P1	OBSOLETE
120	Upper spring guide assembly pin	6647010P1	OBSOLETE
120	Upper spring guide assembly pin	6647010P2	OBSOLETE
3	Upper stud (drawout, AC and DC)	291B967G1	%%%
1	Upper stud (drawout, AC)	6414522G1	OBSOLETE
1	Upper stud (drawout, DC)	6414543G1	OBSOLETE
3	Upper stud (stationary, AC and DC)	293B207G1	@@@, %%%
4	Upper stud head (AC)	293B225G1	@@@
4	Upper stud head (DC)	291B969G1	@@@
1	Upper stud, horizontal (stationary, AC)	6414521G1	OBSOLETE
1	Upper stud, horizontal (stationary, DC)	276B174G1	OBSOLETE
1	Upper stud, veritcal (stationary, AC)	6414521G2	OBSOLETE
1	Upper stud, veritcal (stationary, DC)	276B174G2	OBSOLETE
45	Vertical stationary stud	248C754P1	%%%
24	Washer	9921652P1	
40	Washer, AC breaker	6447773P1	OBSOLETE
40	Washer, AC breaker	6447773P2	OBSOLETE
40	Washer, DC breaker	6447773P1	OBSOLETE
40	Washer, DC breaker	6447773P2	OBSOLETE
215	Window	174V535P1	OBSOLETE
217	Window (charge and dlscharge)	698C997P2	OBSOLETE
216	Window (open and close)	269C272P8	Manual Breakers

***Only available for AK–2–75 breakers with no suffix letter or numeral.

@@@Does not include AK–2–75 electrical breakers with no suffix or numeral.

%%%Refers to breakers without a –A (e.g. AK–2–75–1)

Table 3-4, AK-100 Obsolete Power Circuit Breaker

AK-100 Power Circuit Breaker Obsolescence Statement: The AK-100 is no longer a manufactured breaker. Many of the items originally identifies as renewal parts have become unavailable. The following parts list is a reproduction of parts found in Bulletin GEF-4150. The notes column identifies those parts that are no longer available. The reference number listed refers to the GEF-4150 reference number.

GEF-4150 Ref. No.	Description	Catalog Number	Notes
161	"O" ring for plug	393A992P1	Electric Breaker
194	Adjusting plate	698C996P8	OBSOLETE
194	Adjusting plate	127S6458P1	OBSOLETE
195	Adjusting plate	372S321P1	OBSOLETE
211	Anti rebound hook and slider	801B138G2	OBSOLETE
211	Anti rebound hook and slider	238C191P1	OBSOLETE
212	Anti rebound hook and slider	801B138G4	OBSOLETE
64	Arc quencher tie bar	372A305P2	OBSOLETE
64	Arc quencher tie bar	372A305P8	OBSOLETE
64	Arc quencher tie bar	372A305P6	OBSOLETE
47	Arc quencher, AC and DC	238F674G4	OBSOLETE
188	Auxiliary switch bracket	6555155P1	OBSOLETE
192	Auxiliary switch coupling	127A6439P1	@@@
190	Auxiliary switch link assembly	848C413G1	OBSOLETE
190	Auxiliary switch link assembly	887B386G4	OBSOLETE
195	Auxiliary switch operating rod	127A6463G2	OBSOLETE
183	Auxiliary switch, 2 stage	192A9791P2	
183	Auxiliary switch, 3 stage	192A9791P3	
183	Auxiliary switch, 5 stage	192A9791P5	
183	Auxiliary switch, 6 stage	192A9791P6	
19	Barrier assembly for stationary intermediate contact	175L304G39	OBSOLETE
1	Base for pole unit	195A8807G2	OBSOLETE
1	Base for pole unit	256C752P1	OBSOLETE
135	Bearing	393A796P3	OBSOLETE
151	Bearing	698C995P3	OBSOLETE
6	Block	449A996P2	OBSOLETE
189	Bracket for breaker without auxiliary switch	273B595G1	OBSOLETE
37	Bracket for side link	6555167P1	OBSOLETE
37	Bracket for side link	6555167P2	OBSOLETE
100	Buffer assembly	457A627G1	
100	Buffer assembly	433A216P1	OBSOLETE
127	Buffer pin	698C993P4	Manual Breaker
130	Buffer stop nut	393A993P24	OBSOLETE
128	Buffer support	698C993P3	Manual Breaker
129	Buffer washer	698C993P5	Manual Breaker
88	Cam	6414743P1	
39	Center main arcing contact pin	6203981P6	
198	Charged and discharged indicator	265B268G2	
74	Clamp for hand trip paddle	192A9567P1	OBSOLETE
111	Clevis	412A413P3	@@@
111	Clevis	412A413P1	***
20	Clip	459A375G1	OBSOLETE
20	Clip	6447449P1	OBSOLETE
175	Closing relay	Table 4396	Electric Breaker
131	Closing spring assembly	889B0408G3	Manual Breaker
131	Closing spring assembly	889B0408G4	OBSOLETE

*** Only available for AK-2-100 breakers with no suffix letter or numeral.

@@@ Does not include AK-2-100 electrical breakers with no suffix or numeral.



Table 3-4, AK-100 Obsolete Power Circuit Breaker

AK-100 Power Circuit Breaker Obsolescence Statement: The AK-100 is no longer a manufactured breaker. Many of the items originally identifies as renewal parts have become unavailable. The following parts list is a reproduction of parts found in Bulletin GEF-4150. The notes column identifies those parts that are no longer available. The reference number listed refers to the GEF-4150 reference number.

GEF-4150 Ref. No.	Description	Catalog Number	Notes
131	Closing spring assembly	273B569G7	Electric Breaker
131	Closing spring assembly	273B569G10	Electric Breaker
101	Counterweight	383A671G2	@@@
101	Counterweight	394A140P1	OBSOLETE
76	Coupling	174V536P1	@@@
110	Coupling	6555414P1	
134	Crank	698C992G9	Manual Breaker
134	Crank	259C615G1	OBSOLETE
134	Crank	801B154G1	OBSOLETE
134	Crank	801B154G3	Electric Breaker
65	Cross bar	267B127P1	OBSOLETE
169	Cut-off switch (F)	192A1753P7	Electric Breaker
167	Cut-off switch (G)	192A7153P8	Electric Breaker
170	Cut-off switch cover	371A235P1	Electric Breaker
168	Cut-off switch insulation	174V521P1	OBSOLETE
172	Cut-off switch lever bracket	371A234G1	Electric Breaker
171	Cut-off switch mounting bracket	371A233G1	Electric Breaker
173	Cut-off switch retainer	2132506000	Electric Breaker
174	Cut-off switch spacer	6176109P17	OBSOLETE
77	Dowel pin	127A6493P2	@@@
205	Drawout racking mechanism assembly	549D476P1	OBSOLETE
205	Drawout racking mechanism assembly	669D0818P1	OBSOLETE
205	Drawout racking mechanism assembly	175L317G7	OBSOLETE
70	Front escutcheon (black)	698C997P1	Manual Breakers
70	Front escutcheon (blue)	698C997P5	Manual Breakers
70	Front escutcheon (blue)	805B975P2	Electrical Breakers
69	Front escutcheon (w/o closing switch, black)	175B997P2	***
69	Front escutcheon (with closing switch,)	275B997P1	OBSOLETE
165A	Gasket between gear housing and end plate	6447102P1	Electric Breaker
165	Gasket between gear housing and motor	6447101P1	Electric Breaker
73	Hand trip paddle	K6203939P1	%%%
73	Hand trip paddle	K6203939P5	\$\$\$
67	Handle	286A8096G2	
68	Handle and buffer assembly	116B7107G1	OBSOLETE
45	Horizontal stationary stud	256C724G1	%%%
149	Indicator	698V996G1	Manual Breaker
157	Indicator crank assembly	698C995G2	Manual Breaker
155	Indicator lever assembly	698C995G1	Manual Breaker
182	Instantaneous undervoltage device	Table 4396	
27	Insulating tube	6447741P3	
14	Insulation for stationary arcing contacts	459A373P2	@@@
14	Insulation for stationary arcing contacts	6555406P1	***
30	Intermediate movable contact	293B220G2	@@@
31	Intermediate movable contact	6203978G3	OBSOLETE
218	Label (charge indicator)	698C997P4	OBSOLETE

*** Only available for AK-2-100 breakers with no suffix letter or numeral.

@@@ Does not include AK-2-100 electrical breakers with no suffix or numeral.

%%% Refers to breakers without a -A (e.g. AK-2-100-1)

Table 3-4, AK-100 Obsolete Power Circuit Breaker

AK-100 Power Circuit Breaker Obsolescence Statement: The AK-100 is no longer a manufactured breaker. Many of the items originally identifies as renewal parts have become unavailable. The following parts list is a reproduction of parts found in Bulletin GEF-4150. The notes column identifies those parts that are no longer available. The reference number listed refers to the GEF-4150 reference number.

GEF-4150 Ref. No.	Description	Catalog Number	Notes
103	Latch	848C0487P2	OBSOLETE
103	Latch	433A214G1	
105	Latch bolt	V6444916P1	
42	Leaf spring for movable main contact	433A318P1	
42	Leaf spring for movable main contact	449A991P1	@@@
42	Leaf spring for movable main contact	6555117P1	***
42	Leaf spring for movable main contact	6203948P1	OBSOLETE
13	Leaf spring for stationary arcing contacts, AC	433A319P1	
13	Leaf spring for stationary arcing contacts, DC	433A319P2	
16	Leaf spring for stationary main contacts	433A320P1	OBSOLETE
16	Leaf spring for stationary main contacts	449A995P1	OBSOLETE
89	Link assembly	457A622G1	@@@
89	Link assembly	175L315G40	OBSOLETE
32	Link assembly for main movable contact	127A6417G1	OBSOLETE
33	Link assembly for main movable contact	419A364P1	OBSOLETE
26	Link for movable arcing contact	275B975P1	OBSOLETE
26	Link for movable arcing contact	383A681P1	OBSOLETE
26	Link for movable arcing contact	383A681P2	OBSOLETE
26	Link for movable arcing contact, DC	127A6457P1	@@@
207	Link spring	412A135P1	OBSOLETE
126	Lower spring guide assembly pin	6447032P2	Manual Breaker
126	Lower spring guide assembly pin	6447032P1	Electric Breaker
46	Lower stud head	227F157P1	OBSOLETE
164	Lubricant for gear box	393A991P1	Electric Breaker
41	Main contact pivot pin	6203981P7	
30	Main movable contacts	293B220G8	@@@
30	Main movable contacts	6203978G1	OBSOLETE
316	Maintenance closing handle	568B386G1	Electric Breaker
166	Motor, 115 volts, 25, 50, 60 cycles and 125 bolt DC	5P66MA6A	OBSOLETE
166	Motor, 208-230 volts, 25, 50, 60 cycles and 250 volt DC	5P66MA7A	OBSOLETE
22	Movable arcing contact	K9921572G2	
22	Movable arcing contact (DC only)	6404753P1	
197	Open and close indicator	265B268G3	
196	Open and close indicator link	6555156G1	OBSOLETE
158	Open-close label	259C608P3	Manual Breaker
66	Opening spring	6509813P1	
116	Overcurrent device trip paddle	889B0424P10	OBSOLETE
206	Pawl spring	365A313P1	%%%
125	Pawl spring rollers	698C996P13	Manual Breaker
124	Pawl spring support (lower)	698C996G4	Manual Breaker
123	Pawl spring support (upper)	698C996G5	Manual Breaker
143	Pawl with spring (front)	698C985G2	Manual Breaker
142	Pawl with spring (rear)	698C985G1	Manual Breaker
61	Phase barrier	267B129P1	
82	Pin	175V531P1	
90	Pin	6447099P1	

*** Only available for AK-2-100 breakers with no suffix letter or numeral.

@@@ Does not include AK-2-100 electrical breakers with no suffix or numeral.

%%% Refers to breakers without a -A (e.g. AK-2-100-1)



Table 3-4, AK-100 Obsolete Power Circuit Breaker

AK-100 Power Circuit Breaker Obsolescence Statement: The AK-100 is no longer a manufactured breaker. Many of the items originally identifies as renewal parts have become unavailable. The following parts list is a reproduction of parts found in Bulletin GEF-4150. The notes column identifies those parts that are no longer available. The reference number listed refers to the GEF-4150 reference number.

<i>GEF-4150 Ref. No.</i>	<i>Description</i>	<i>Catalog Number</i>	<i>Notes</i>
92	Pin	6447091P1	
112	Pin	412A405P414	
113	Pin	6447744P1	OBSOLETE
148	Pin	698C991P10	Manual Breaker
193	Pin for auxiliary switch linkage	6076402P203	@@@
199	Pin for indicator	174V561P1	OBSOLETE
23	Pin for movable arcing contact link	6447153P2	
28	Pin for side link	K6203981P5	
31	Pivot pin for main movable contact	6447172P2	
9	Pivot pin for stationary arcing contact	6404793P1	
15	Pivot pin for stationary main contacts	6203981P7	
160	Plug	6447398P1	OBSOLETE
87	Prop	419A366P1	
107	Prop	698V993G1	Manual Breaker
107	Prop	9921596G1	OBSOLETE
145	Prop	698C991G4	Manual Breaker
108	Prop shaft bearing	377A871P2	OBSOLETE
147	Prop spring	412A280P1	Manual Breaker
114	Prop stop	412A412P2	@@@
136	Ratchet assembly	698C987G1	OBSOLETE
163	Ratchet pin	372A283P1	Electric Breaker
159	Reduction gear unit assembly	177L362G3	OBSOLETE
104	Reset latch	568B303G1	@@@
104	Reset latch	9921607G3	OBSOLETE
85	Retainer	394A133P10	
91	Retainer	21325063000	
109	Retainer	2132506000	
141	Retainer	394A133P28	OBSOLETE
146	Retainer	394A133P3	Manual Breaker
29	Retainer for 1/2 in. pins	2132506200	
25	Retainer for 3/8 in. pin	2132506000	OBSOLETE
79	Retainer for trip shaft	394A133P1	
81	Retainer for trip shaft bearing	394A133P16	
122	Retaining ring	394A133P4	OBSOLETE
152	Rod	127A6493P4	OBSOLETE
139	Roll pin	394A137P12	Manual Breaker
150	Roll pin	394A137P11	Manual Breaker
115	Screw for prop stop	411A984P1	OBSOLETE
213	Secondary disconnect device (7 point)	386A110G2	
138	Shaft assembly	698C990G1	Manual Breaker
177	Shunt trip device	Table 4396	
178	Shunt trip device coil	Table 4396	
176	Shunt trip device support	449A537P1	
38	Side link shield pin	6555423P3	
35	Side link, left	457A624G2	@@@
35	Side link, left	175L304G38	OBSOLETE

@@@ Does not include AK-2-100 electrical breakers with no suffix or numeral.

Table 3-4, AK-100 Obsolete Power Circuit Breaker

AK-100 Power Circuit Breaker Obsolescence Statement: The AK-100 is no longer a manufactured breaker. Many of the items originally identifies as renewal parts have become unavailable. The following parts list is a reproduction of parts found in Bulletin GEF-4150. The notes column identifies those parts that are no longer available. The reference number listed refers to the GEF-4150 reference number.

GEF-4150 Ref. No.	Description	Catalog Number	Notes
34	Side link, right	457A624G1	@@@
4	Side link, right	175L304G37	***
5	Spacer	293B223P3	
83	Spacer	457A681P3	OBSOLETE
84	Spacer	457A681P1	OBSOLETE
209	Spacer (right or left)	148A1946P9	OBSOLETE
191	Spacer for auxiliary switch bracket	148A1932P6	OBSOLETE
2	Spacer for base	372A440P1	
201	Spacer for indicator	6176109P7	OBSOLETE
44	Spacer for stationary main contact stop	453A116P3	@@@
121	Spacer for upper spring guide assembly pin (left side)	148A1946P4	OBSOLETE
119	Spacer for upper spring guide assembly pin (middle)	148A1946P3	OBSOLETE
118	Spacer for upper spring guide assembly pin (right side)	148A1946P2	OBSOLETE
86	Spring	412A140P1	OBSOLETE
106	Spring	6403348P1	
140	Spring	127A8306P1	Manual Breaker
156	Spring	412A0292P1	Manual Breaker
154	Spring	412A267P1	Manual Breaker
208	Spring (for racking mechanism)	846C0839P10	OBSOLETE
144	Spring arm	846C817G1	OBSOLETE
202	Spring for indicator	365A305P1	Electric Breaker
162	Spring for ratchet pin	6509871P1	Electric Breaker
12	Spring for stationary arcing contacts (inner)	6519859P1	
11	Spring for stationary arcing contacts (outer)	6509858P1	
21	Spring for stationary main contact	412A0288	OBSOLETE
21	Spring for stationary main contact	6403370P1	OBSOLETE
98	Spring guide (lower)	6447353P1	OBSOLETE
94	Spring guide (upper)	6447331P1	
10	Spring guide for stationary arcing contact springs	6447046P1	OBSOLETE
95	Spring reset	6403393P1	OBSOLETE
96	Spring reset (inner)	148A2214P1	@@@
99	Spring support assembly	6203914G1	@@@
182	Static timing device, 125 V DC	TAKYUVT-1	
182	Static timing device, 230V 60 Hz	TAKYUVT-3	
182	Static timing device, 250 V DC	TAKYUVT-2	
8	Stationary arcing contact	295B408G3	@@@
8	Stationary arcing contact	6203966G1	***
8	Stationary arcing contact	295B408G1	OBSOLETE
18	Stationary intermediate contact	6203979G3	OBSOLETE
18	Stationary intermediate contact (includes barrier)	459A385G1	OBSOLETE
17	Stationary main contact	293B221G5	@@@
17	Stationary main contact	6203979G1	OBSOLETE
7	Stop	293B233P1	
43	Stop for stationary main contacts	449A991P1	@@@
43	Stop for stationary main contacts	6548047P2	OBSOLETE
97	String reset (outer)	148A2213P1	@@@

*** Only available for AK-2-100 breakers with no suffix letter or numeral.

@@@ Does not include AK-2-100 electrical breakers with no suffix or numeral.



Table 3–4, AK–100 Obsolete Power Circuit Breaker

AK–100 Power Circuit Breaker Obsolescence Statement: The AK–100 is no longer a manufactured breaker. Many of the items originally identifies as renewal parts have become unavailable. The following parts list is a reproduction of parts found in Bulletin GEF–4150. The notes column identifies those parts that are no longer available. The reference number listed refers to the GEF–4150 reference number.

GEF–4150 Ref. No.	Description	Catalog Number	Notes
45	Stud, drawout	248C754P2	OBSOLETE
137	Support assembly	698C998G1	OBSOLETE
132	Support for crank	698C992G5	
133	Support for crank	393A554P1	
203	Terminal Board (4 point)	6293908G185	OBSOLETE
204	Terminal board (6 point)	6293908G168	OBSOLETE
181	Time delay undervoltage device	Table 4396	
71	Trip button and rod assembly	411A904G5	@@@
71	trip button and rod assembly	411A904G2	***
72	Trip button spring	412A139P1	
78	Trip shaft (center)	394A133P1	
75	Trip shaft (outside)	276B250P4	
80	Trip shaft bearing (side sheets and mechanism frame)	192S9653P4	
102	Trip shaft return spring	412A269P1	OBSOLETE
102	Trip shaft return spring	412A234P1	OBSOLETE
117	Trip shaft stop	6447767P1	
153	Tube	698C995P13	Manual Breaker
180	Undervoltage device coil	Table 4396	
179	Undervoltage device support	423A380P1	OBSOLETE
120	Upper spring guide assembly pin	6447010P2	OBSOLETE
3	Upper stud (drawout)	6414520G1	OBSOLETE
3	Upper stud (drawout)	291B967G2	@@@
3	Upper stud (stationary)	293B207G1	@@@
4	Upper stud head	293B224G1	OBSOLETE
3	Upper stud, horizontal (stationary)	6414516G1	OBSOLETE
3	Upper stud, vertical (stationary)	6414546G2	OBSOLETE
45	Vertical stationary stud	256C724G2	%%%
24	Washer	9921652P1	
40	Washer	6447773P1	OBSOLETE
40	Washer	6447773P2	OBSOLETE
215	Window	174V535P1	OBSOLETE
217	Window (charge and discharge)	698C997P2	OBSOLETE
216	Window (open and close)	269C272P8	Electric Breaker

*** Only available for AK–2–100 breakers with no suffix letter or numeral.

@@@ Does not include AK–2–100 electrical breakers with no suffix or numeral.

%%% Refers to breakers without a –A (e.g. AK–2–100–1)

MVT Programmings and Related Parts

Table 4-1, MVT Programmings and Related Parts

Fig. No.	Ref. No.	Description	Table Number
4A	1	MVT Tapped CT Sensor	Table 4A
4B	2	MVT Fixed CT Sensor	Table 4B
4C	3	MVT Neutral CT Sensor Disconnects	Table 4C
4D	4	MVT Flux Shift Trip Device	Table 4D
NI	–	MVT Neutral CT Sensor	Table 4E
NI	–	MVT Sensor Amp Indicator	Table 4F
NI	–	MVT Programmer Mounting	Table 4G
4E	5	MVT PM Programmer	Table 4H
4F	6	MVT+ Programmer	Table 4H
NI	–	Neutral Sensor Disconnect Plug-Cubicle	343L747G80

Table 4A, MVT Tapped CT Sensor –See Figure 4A

Breaker Type	Tap Setting	Tapped Sensor Catalog Number	
AK-25 AKU-25	200A	568B632	G26
	225A		G25
AKST-50H	—	193A1439	G16
AKS-50 AKSU-50 AKS-50H	300A		G14
	400A	G15	
	600A		
	800A		
	1200A		
	1600A		

—Any legitimate alternative condition will suffice.



Figure 4A: MVT Tapped CT Sensor (Ref. 1)



Figure 4B: MVT Fixed CT Sensors (Ref. 2)



Table 4B, MVT Fixed CTS – See Figure 4B on page 67

Breaker	Instantaneous Sensor Rate	Function	Catalog Number	
AK-25 AKU-25	150A	—	139C4970	G227
	225A			G228
	600A			G229
AKR-30S AKRU-30S	150A	Adjust-High **	139C4970	G218
		Fixed-High		G206
		—		G221
	400A	Adjust-High **		G209
		Fixed-High		G223
		—		G211
AKR-30 AKRU-30	150A	Adjust-High **	139C4970	G218
		—		G206
		Adjust-High **		G221
	400A	—		G209
		Adjust-High **		G223
		—		G211
AKR-30H	150A	Adjust-High **	139C4970	G176
		—		G25
		Adjust-High **		G179
	400A	—		G28
		Adjust-High **		G181
		—		G30
AKR-50 AKRU-50	800A	Adjust-High **	139C4970	G96
		—		G30
	1600A	Adjust-High **		G98
		—		G32
AKST-50H	2000A	—	G251	
AKS-50	800A		G249	
AKSU-50	1600A		—	G250
AKS-50H				
AKR-50H	800A	Adjust-High **	139C4970	G187
		—		G30
	1600A	Adjust - High **		G189
AKRT-50H	2000A	—	139C4970	G32
		Adjust - High **		G190
		—		G33
AKR-75	3000A	Adjust - High **	139C4970	G37
				—
	3200A			—
AKR-100	4000A	Adjust - High **	139C4970	G105
		—		G39

— Any legitimate alternative condition will suffice.

**The high range instantaneous function for Powerleader breakers is not adjustable.

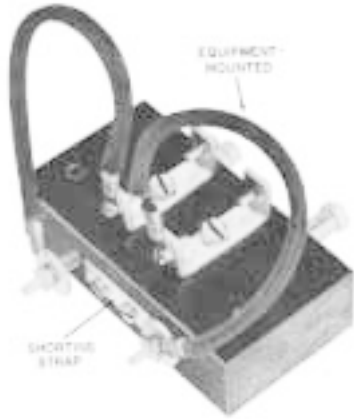


Figure 4C: MVT Neutral CT Sensor Disconnect (Ref. 3)



Figure 4D: MicroVersaTrip® Flux Shift Trip Device (Ref. 4)

Table 4C, MVT Neutral CT Sensor Disconnects –See Figure 4C

Breaker Type	Application	Catalog Number	
AK-25	Stationary	343L747	G67
AKU-25			G62
AKR-30S	Drawout	343L870	G9
AKRU-30S			
AKR/AKRU-30	Stationary	N/A	
AKR-30H		425D366	G55
AKR/AKJ-50	AKD-5/6		
AKRU/AKJU-50	Drawout		G26
AKR/AKJ-50H		425D354	G14
AKRT/AKJT-50H	Stationary		
AKS/AKSU-50	Drawout	N/A	G15
AKS/AKST-50H	Stationary		
AKR-75		425D385	G55
AKR-100	Drawout		

Table 4D, MVT Flux Shift Trip Device –See Figure 4D

Breaker Type	Catalog Number	
AK-25	343L747	G2
AKU-25		
AKR-30S	425D366	G33
AKRU-30S		
AKR/AKRU-30	425D366	G85
AKR-30H		
AKR/AKJ-50		
AKRU/AKJU-50		
AKR/AKJ-50H		
AKRT/AKJT-50H		
AKS/AKSU-50	425D385	G89
AKS/AKST-50H		
AKR-75		
AKR-100 (25")	425D385	G90
AKR - 100 (33")		G91



Table 4E, MVT Neutral CTS

Breaker Type	Sensor Rate	Catalog Number
AK-25 AKU-25	200A	TSVG206BK
	>225A	
	—	TSVG225BK
AKR-30S	150A	TSVG303B
AKRU-30S	400A/800A	TSVG508B
AKR-30	150A	TSVG303B
AKRU-30	400A	
AKR-30H	800A	TSVG508B
AKR/AKJ-50 AKRU/AKJU-50 AKR/AKJ-50H	1600A	TSVG516B
AKRT/AKJT-50H	2000A	TSVG620B
AKS-50	300A/400A	TSVG508B
AKSU-50	600A/800A	TSVG516B
AKS-50H	1200A/1600A	
AKST-50H	2000A	TSVG620B
AKR-75	3000A	TSVG830B
	3200A	TSVG832B
AKR-100	4000A	TSVG940B

—Any legitimate alternative condition will suffice.

Table 4F, MVT Sensor Amp Indicator

Breaker	Sensor Rate	Catalog Number	
AKR-30S	150A	343L870	G10
AKRU-30S	—		G11
AKR-30	150A	425D366	G28
AKRU-30	—		G29
AKR-30H			G29
AKR/AKJ-50 AKRU/AKJU-50 AKR/AKJ-50H	—	425D366	G29
AKRT/AKJT-50H			G30
AKS-50	—	425D385	G51
AKSU-50			
AKS-50H			
AKST-50H			G52
AKR-75			G3
AKR-100			

—Any legitimate alternative condition will suffice.

Table 4G, MVT Programmer Mounting

Breaker	PowerLeader	Operation	Application	Catalog Number		
AK-25 AKU-25	No	Manual & Electric	AKD & AKD-5	343L747	G91	
AKR-30S AKU-30S		Manual	AKD-8		G93	
		R-Electric			G94	
AKR-30 AKRU-30 AKR-30H AKR/AKJ-50 AKRU/AKJU-50 AKR/AKJ-50H AKRT/AKJT-50H		Stationary	AKD-5 and AKD-6	Not Required	G92	
		Manual and Electric			AKD-8	425D366
			All	All	425D385	G4
		323A6140			G1	
AK-25 AKU-25		Yes	Manual & Electric	AKD-8	343L747	G93
AKR-30S AKRU-30S			Manual			G94
AKR-30 AKRU-30 AKR-30H AKR/AKJ-50 AKRU/AKJU-50 AKR/AKJ-50H AKRT/AKJT-50H			Manual and Electric	All	425D366	G2
	323A6140				G3	
	425D385				G4	
AKS/AKSU-50 AKS/AKST-50H						
AKR-75 AKR-100						



Table 4H, MVT Plus & PM (RMS9C) Trip Unit Replacements

More detailed information can be found in “Trip Device Conversion Kits” section on page 219 to 224.

To determine a replacement MVT Plus or PM (RMS9C vintage) obtain the following information: breaker type, existing trip unit catalog number, existing rating plug and/or CT

Caution: Always order a replacement with the same features and options of the existing trip unit unless a thorough investigation of the application has been done. For example, if a breaker originally had fixed high range instantaneous, then the breaker and application probably requires this to be maintained. Likewise, high range instantaneous may not be able to be added without upgrading the breaker CTs.



Figure 4E: MVT PM Programmer (Ref. 5)



Figure 4F: MVT+ Programmer (Ref. 6)