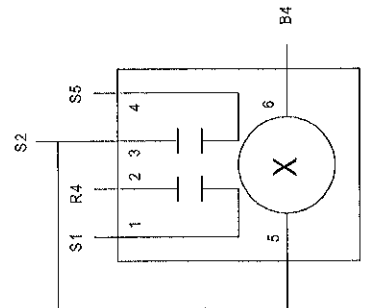
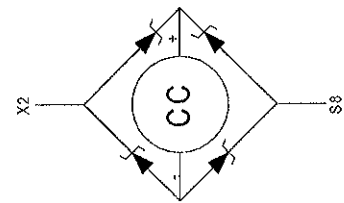
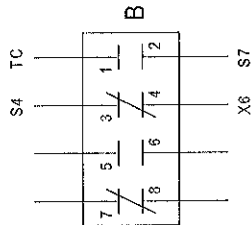
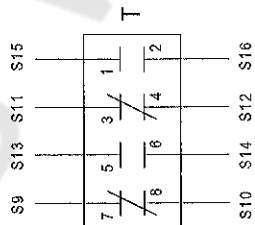
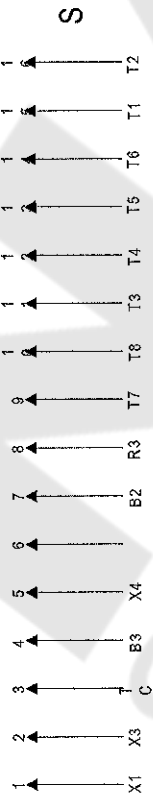
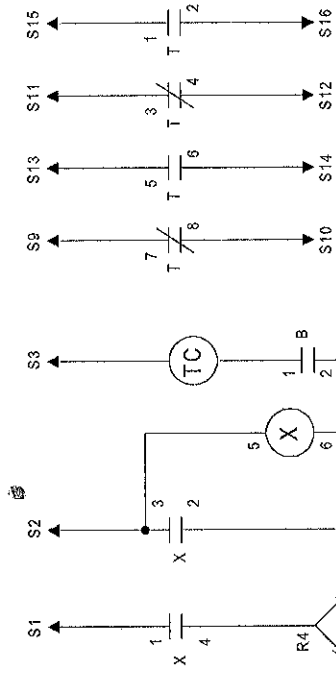


FIG. 2. Typical Wiring Diagrams



FRONT VIEW



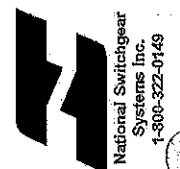
BREAKER SHOWN IN THE OPEN RESET POSITION

- S = Secondary Disconnect
- T = Top Auxiliary Switch
- B = Bottom Auxiliary Switch
- R = Rectifier
- X = Control Relay
- CC = Close Coil
- TC = Trip Coil



Date 04/02 By GT
Job # 21832
Type DB-100
Mfr Westinghouse

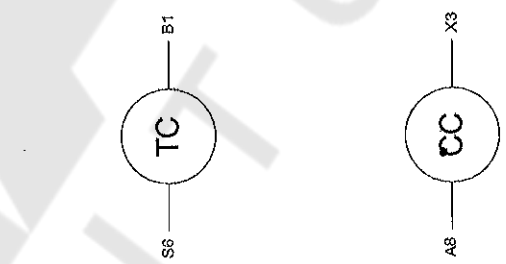
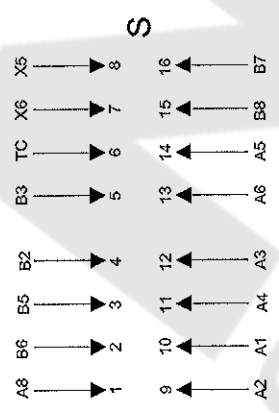
Sht 1 of 1
Customer:



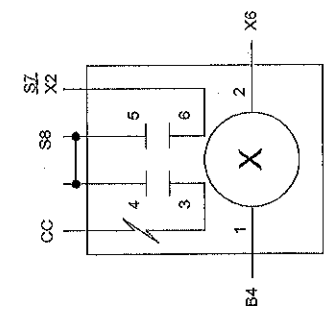
Date 11 JULY 2002
 JOB# 22225
 Type DB-25
 Mfr WESTINGHOUSE
 Dwg #

Sheet 1 of 1
 Customer: TXU ELECTRIC

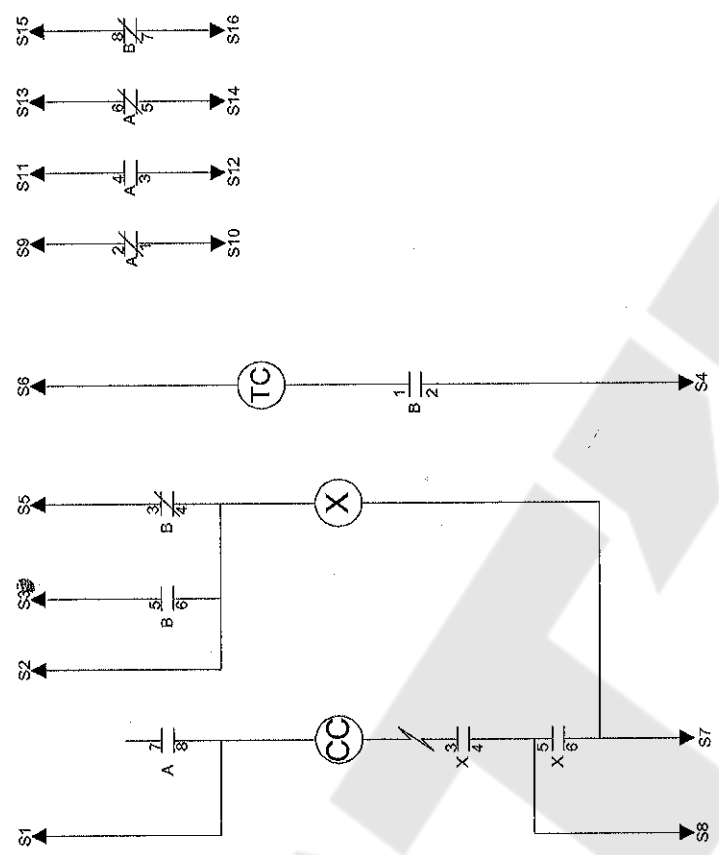
REAR VIEW



FRONT VIEW



BREAKER SHOWN IN THE OPEN RESET POSITION



- S = Secondary Disconnect
- A = Top Auxiliary Switch
- B = Bottom Auxiliary Switch
- X = Control Relay
- CC = Close Coil
- TC = Trip Coil