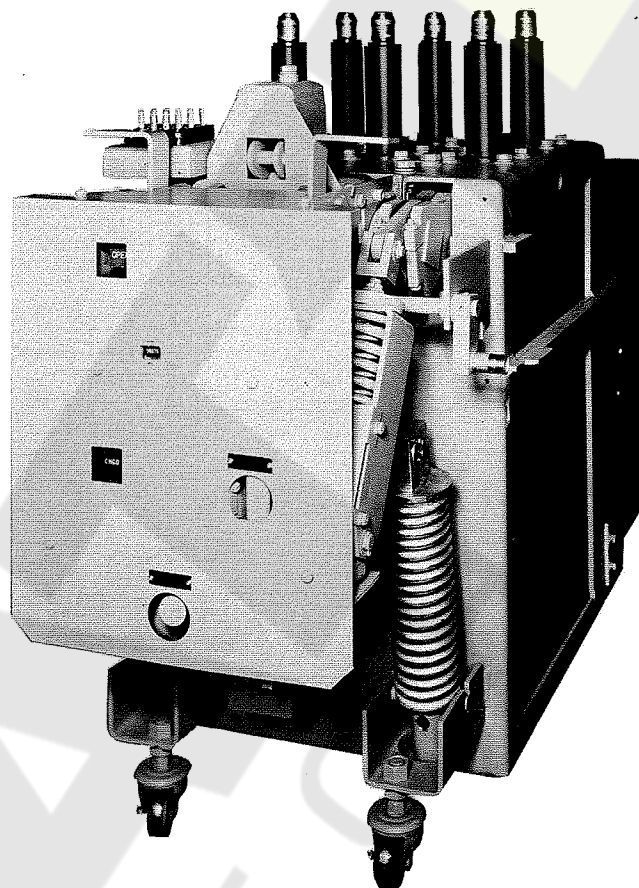


RENEWAL PARTS

MAGNE-BLAST CIRCUIT BREAKER TYPE AM-4.16-150/250-9

NOTE: The ML-13 Mechanism is not included in this publication.
Refer to GEF-4379.



ORDERING INSTRUCTIONS

1. Always specify the complete nameplate data of both the breaker and the mechanism.
2. Specify the quantity, catalog number (if listed), reference number (if listed), and description of each part ordered, and this bulletin number.
3. Standard hardware, such as screws, bolts, nuts, washers, etc., is not listed in this bulletin. Such items should be purchased locally.
4. For prices, refer to the nearest office of the General Electric Company.

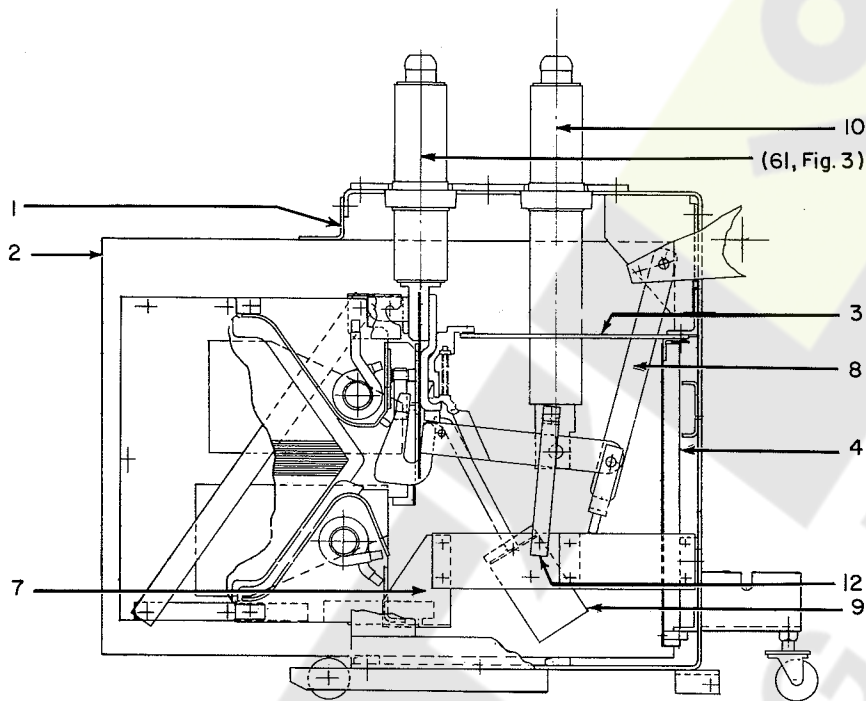
When ordering renewal parts, give quantity, catalog number, description of each item required, and complete nameplate reading.

GENERAL  **ELECTRIC**

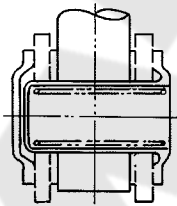
Data subject to change without notice.

[Courtesy of NationalSwitchgear.com](http://NationalSwitchgear.com)

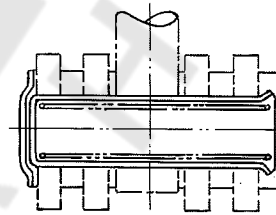
TYPE AM-4.16 MAGNE-BLAST CIRCUIT BREAKER



Breaker, Type AM-4.16-150/250



(600 and 1200 Amp)



(2000 Amp)

Hinge pin assembly (Ref. No. 11)

Fig. 1. Cross section views of breaker and hinge pin

NOTE: For recommended parts for normal maintenance, refer to page 5.

TYPE AM-4.16-250-9 AND 150/250-9S BREAKER (Refer to Fig. 1)

Ref. No.	Type	Catalog Number for Type AM-4.16-150/250			No. Req'd	Description
		600 Amp	1200 Amp	2000 Amp		
1	All	073-114C5389P006	073-114C5389P006	073-114C5389P006	2	Box barrier support
2	All	152C5962G001**	152C5962G001**	152C5962G001**	1	Box barrier
3	All	114C5380P011	114C5380P011	114C5380P012	6	Lower horizontal barrier
4	All	619C0461G012	619C0461G012	619C0461G012	1	Vertical barrier, left
*5	All	619C0461G011	619C0461G011	619C0461G011	1	Vertical barrier, center
*6	All	619C0461G010	619C0461G010	619C0461G010	1	Vertical barrier, right
7	All	619C0444G003	619C0444G003	619C0444G003	3	Interrupter clamp
8	Δ	281B0708G002	281B0708G002	281B0708G002	3	Operating rod assembly
8	B	-----	281B0708G008	281B0708G008	3	Operating rod assembly
9	All	619C0444G005	619C0444G005	619C0444G005	3	Booster cylinder
10	All	688C0515G003	845D0123G001	688C0515G001	3	Front bushing
11	Δ	898B0282G001	898B0282G001	898B0282G002	3	Hinge assembly
11	B	-----	898B0282G002	898B0282G002	3	Hinge assembly
12	All	114C5490P011	114C5490P011	114C5490P011	3	Connection bar

* Not illustrated.

** G002 for breakers with suffix "A", interchangeable with G001 barrier

Δ All except breakers with "B" in suffix

TYPE AM-4.16 MAGNE-BLAST CIRCUIT BREAKER

GEF-4439

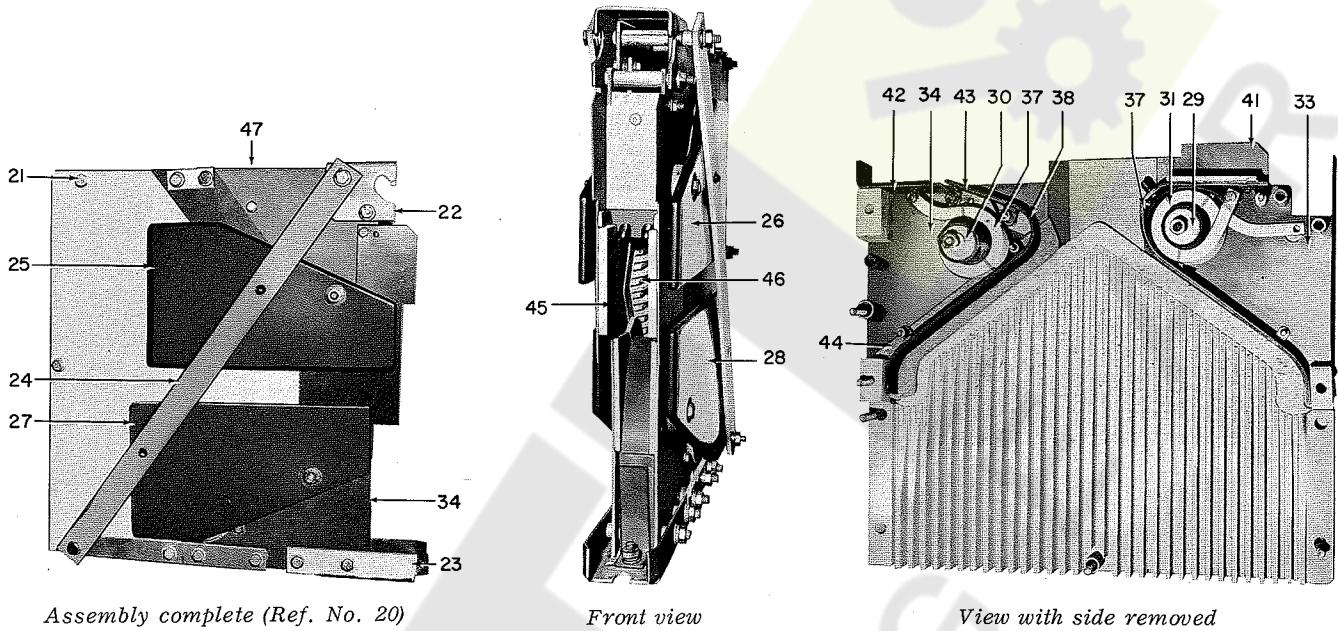


Fig. 2. Interrupter assembly

INTERRUPTER ASSEMBLY (Refer to Fig. 2)

Ref. No.	Type	Catalog Number for Type AM-4.16-150/250	No. Req'd	Description
20	All	073-213X0712G001	3	Interrupter assembly, complete
21	All	264B0100G010	3	Interrupter sides
22	All	265C0150P021	3	Upper support
23	All	258C0615P015	3	Lower support
24	All	132C2738P007	6	Side brace
25	All	152C5959G001	3	Pole piece, upper, left
26	All	152C5959G002	3	Pole piece, upper, right
27	All	152C5959G003	3	Pole piece, lower, left
28	All	152C5959G004	3	Pole piece, lower, right
29	All	108B5521G004	3	Core, upper, 3 1/16 in.
30	All	108B5521G003	3	Core, lower, 2 9/16 in.
31	All	152C5905G001	3	Coil, upper
32	All	152C5905G023	3	Coil, lower
33	All	152C5961P001	6	Coil support, upper
34	All	152C5961P002	6	Coil support, lower
*35	All	414A0102P018	3	Stud
*36	All	152C5960P006	3	Block
37	All	152C5909G007	3	Upper runner assembly
38	All	152C5909G008	3	Lower runner assembly
*39	All	456A0891P226	3	Sleeve, upper
*40	All	456A0891P225	3	Sleeve, lower
41	All	152C5959P005	6	Shield, upper
42	All	152C5961P004	3	Shield, lower
43	All	152C5961P003	6	Insulation barrier, lower
44	All	227A5367P001	6	Lower runner shield
45	All	152C5960G002	3	Throat insulation, left
46	All	152C5960G001	3	Throat insulation, right
47	All	152C9650P005	3	Dust cover

* Not illustrated

TYPE AM-4.16 MAGNE-BLAST CIRCUIT BREAKER

GEF-4439

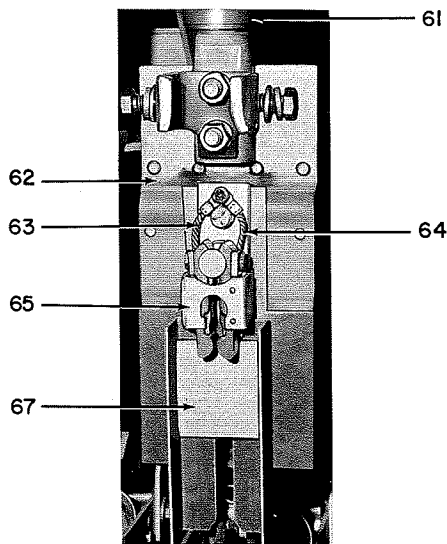


Fig. 3. Rear bushing assembly (Ref. No. 60)

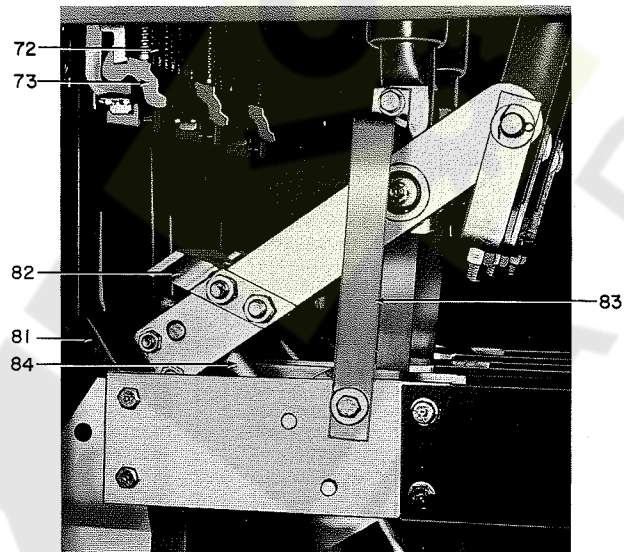


Fig. 4. Contact assembly (Ref. No. 80)

REAR BUSHING ASSEMBLY (Refer to Fig. 3 and Fig. 4)

Ref. No.	Type	Catalog Number for Type AM-4.16-150/250			No. Req'd	Description
		600 Amp	1200 Amp	2000 Amp		
60	Δ	073-213X0344G070	073-213X0344G071	073 -----	3	Rear bushing assembly (150 MVA)
60	Δ	-----	213X0344G072	-----	3	Rear bushing assembly (250 MVA)
60	Δ	-----	-----	-213X0344G073	3	Rear bushing assembly (150 or 250 MVA)
60	B	-----	213X0344G075	213X0344G076	3	Rear bushing assembly (250 MVA)
61	All	688C0516G005	845D0124G001	688C0516G006	3	Bushing
62	Δ	962C0778P011	962C0778P011	962C0778P011	3	Contact support
62	B	-----	258C0666P010	258C0666P010	3	Contact support
63	All	236C0791G004	236C0791G004	236C0791G004	3	Flexible connector, left
64	All	236C0791G001	236C0791G001	236C0791G001	3	Flexible connector, right
65	All	236C0790G009	236C0790G009	236C0790G009	3	Stationary arcing contact
*66	All	195A7388G002	195A7388G002	195A7388G002	3	Throat barrier assembly
67	Δ	132C2745P006	132C2745P006	132C2745P006	3	Baffle
67	B	-----	132C2745P007	132C2745P007	3	Baffle
*68	All	6445087P004	6445087P004	6445087P004	3	Buffer
*69	All	6557243P002	6557243P002	6557243P002	6	Clamp for buffer
*70	Δ	962C0778P007	962C0778P007	962C0778P007	3	Spring retainer (150 or 250 MVA)
*70	B	-----	828C0782P005	828C0782P005	3	Spring retainer (250 MVA)
*71	Δ	N312P2542B	N312P2542B	N312P2542B	18	Spring guide
*71	B	-----	N312P2542B	N312P2542B	24	Spring guide
72	Δ	414A0180P001	414A0180P001	121A5964P001	18	Primary contact finger spring
72	B	-----	121A5964P001	121A5964P001	24	Primary contact finger spring
*72A	B	-----	03663094P005	03663094P005	24	Spacer
73	Δ	114C5382P002	114C5382P002	114C5382P002	18	Primary contact finger
73	B	-----	114C5382P002	114C5382P002	24	Primary contact finger

CONTACT ASSEMBLY (Refer to Fig. 4)

Ref. No.	Type	Catalog Number for Type AM-4.16-150/250			No. Req'd	Description
		600 Amp	1200 Amp	2000 Amp		
80	All	073-213X0343G077	073-213X0343G077	073-213X0343G078	3	Contact assembly
81	All	227A5306G004	227A5306G004	227A5306G004	3	Movable arcing contact
82	Δ	114C5382P004	114C5382P004	114C5382P004	6	Movable primary contact (150 or 250 MVA)
82	B	-----	137A9164P003	137A9164P003	6	Movable primary contact (250 MVA)
*82A	B	-----	137A9164P004	137A9164P004	6	Movable primary contact (250 MVA)
83	All	258C0666P007	258C0666P007	258C0666P007	6	Contact arm
83	All	-----	-----	258C0666P006	6	Contact arm
84	All	213X0343G090	213X0343G090	213X0343G091	3	Tube and piston assembly
*89	All	264B0161P004	264B0161P004	264B0161P004	6	Secondary contact finger
*90	All	152C5907G001	152C5907G001	152C5907G001	3	Secondary contact support

* Not illustrated

Δ All except breakers with "B" in suffix

TYPE AM-4.16 MAGNE-BLAST CIRCUIT BREAKER

RECOMMENDED PARTS FOR NORMAL MAINTENANCE

Fig. No.	Ref. No.	Type	Catalog Number for Type AM-4.16-150/250			No. Req'd	Description
			600 Amp	1200 Amp	2000 Amp		
1	8	Δ	073-281B0708G002	073-281B0708G002	073-281B0708G002	3	Operating rod assembly
1	8	B	-----	281B0708G008	281B0708G008	3	Operating rod assembly
3	63	All	236C0791G004	236C0791G004	236C0791G004	3	Flexible connector, left
3	64	All	236C0791G001	236C0791G001	236C0791G001	3	Flexible connector, right
3	*66	All	195A7388G002	195A7388G002	195A7388G002	3	Throat barrier assembly
3	65	All	236C0790G009	236C0790G009	236C0790G009	3	Stationary arcing contact
4	72	Δ	414A0180P001	414A0180P001	121A5964P001	18	Primary contact finger spring
4	72	B	-----	121A5964P001	121A5964P001	24	Primary contact finger spring
4	73	Δ	114C5382P002	114C5382P002	114C5382P002	18	Primary contact finger
4	73	B	-----	114C5382P002	114C5382P002	24	Primary contact finger
4	*72A	B	-----	03663094P005	03663094P005	24	Spacer
4	82	Δ	114C5382P004	114C5382P004	114C5382P004	6	Movable primary contact (150 or 250 MVA)
4	82	B	-----	137A9164P003	137A9164P003	6	Movable primary contact (250 MVA)
4	*82A	B	-----	137A9164P004	137A9164P004	6	Movable primary contact (250 MVA)
4	81	All	227A5306G004	227A5306G004	227A5306G004	3	Movable arcing contact
4	84	Δ	213X0343G090	213X0343G090	213X0343G091	3	Tube and piston assembly
2	45	All	152C5960G002	152C5960G002	152C5960G002	3	Throat insulation, left
2	46	All	152C5960G001	152C5960G001	152C5960G001	3	Throat insulation, right
2	44	All	227A5367P001	227A5367P001	227A5367P001	6	Lower runner shield
2	43	All	152C5961P003	152C5961P003	152C5961P003	6	Insulation barrier, lower

ΔAll except breakers with "B" in suffix

* Not illustrated

**GENERAL ELECTRIC COMPANY
SWITCHGEAR BUSINESS DEPARTMENT
PHILADELPHIA, PA 19142**

GENERAL  ELECTRIC