



LOW VOLTAGE POWER SWITCHGEAR

RENEWAL PARTS

BASIC BREAKER ASSEMBLY

FOR

TYPE K-225, K-600, AND K-1600 CIRCUIT BREAKERS

ORDERING INSTRUCTIONS

When ordering, always state type of circuit breaker and service number from the label associated with the assembly.

State the quantity, description, and ordering number of each assembly or part required.

EXAMPLE: To order arcing contact arm assemblies for a type K-600 circuit breaker, specify the following:

For a type K-600 circuit breaker[™]
Service Number 702290-K9-R6

Quantity 3 Arcing contact arm assemblies 704421-K1

NOTE: This bulletin does not list standard hardware (screws, nuts, lockwashers, etc.). It is recommended that standard hardware be purchased locally.

I-T-E CIRCUIT BREAKER COMPANY

• PHILADELPHIA 30, PENNSYLVANIA



BASIC BREAKER ASSEMBLY
FOR K-225, K-600 AND K-1600 CIRCUIT BREAKERS

RP-702290

FIG. REF.	INDEX NO.	DESCRIPTION OF ASSEMBLY OR PARTS	ORDERING NUMBER	UNIT QUAN. PER BREAKER						
				K-225 2 Pole	K-225 3 Pole	K-600 2 Pole	K-600 3 Pole	K-1600 1 Pole	K-1600 2 Pole	K-1600 3 Pole
1	1	Basic Frame Assembly	703140-K1	1	1	1	1	1	1	1
2	3	Basic Frame Assembly	703140-K2							
1	6	Complete Upper Molding Assembly	702291-K3		1					
1	7	Complete Upper Molding Assembly	702293-K2	1						
2	13	Complete Upper Molding Assembly	702293-K9				1			
2	14	Complete Upper Molding Assembly	702293-K8			1				
2	19	Complete Upper Molding Assembly	702293-K13					1	2	3
*	21	Center Pole Cover (2 Per Brkr.)(Outer pole cover 1 Pole)						2	1	
*	24	Complete Lower Molding Assembly	703407-A According to S.O.	1	1	1	1	1	2	3
1	28	Interphase Vertical Barrier	701531-A	4	4	4	4	1	2	3
2	30	Interphase Cover	701520-A					1	1	1
2	34	Basic Jack Bar Assembly	702294-K9					1	1	1
1-2	37	Pin (3/8 x 1 5/16)(Contact Insulation to Jack Bar)	650050-A15	2	3	2	3	1	2	3
1-2	38	Tru-Arc Retainer (3/8)	650440-G	4	6	4	6	2	4	6
1	41	Opening Spring	650220-A6	2	2	2	2			
2	42	Opening Spring	650220-A7					2	2	2
1	47	Arc Chute Assembly	702289-K1	2	3	2	3			
1	49	Retainer Molding (Arc Chute)	701496-A		2		2			
1	50	Retainer Screw (1/4 - 20 x 5 5/8)	650116-A7	2	2	2	2			
*	51	Retainer Block	703917-A	1		1				
1	52	Spec.Washer (1/4 I.D. Small O.D.) on Retainer Screw	650351-A10		2		2			
2	53	Arc Chute Assembly	702289-K9					1	2	3
*	54	Arc Chute Retaining Bar	704764-A					1		2
2	55	Retainer Molding (Arc Chute)	701543-A							2
2	56	Retainer Screw (5/16 - 18 x 5 1/2)	650116-A10					2		2
*	57	Retainer Block	703918-A						1	
*	58	Special Nut (5/16-18)	171143-A						2	
2	59	Retainer Screw (5/16 - 18 x 6 1/2)	650154-A1						2	1
*	61	Breaker Nameplate (K-1600)	650599-A			1	1	1	1	1
*	62	Breaker Nameplate (K-600)	650599-B							
*	63	Breaker Nameplate (K-225)	650599-C	1	1					
1	67	Yellow Sticker (Service Reference Number)	703420-E1		1					
1	68	Yellow Sticker (Service Reference Number)	703420-E2				1			
2	69	Yellow Sticker (Service Reference Number)	703420-E3							1
2	70	Yellow Sticker (Service Reference Number)(Blank)	703420-E0	1		1		1	1	

* - Not Shown.

FOR PRICES AND TECHNICAL INFORMATION,
REFER TO THE NEAREST OFFICE OF I-T-E CIRCUIT BREAKER COMPANY.



S-14799

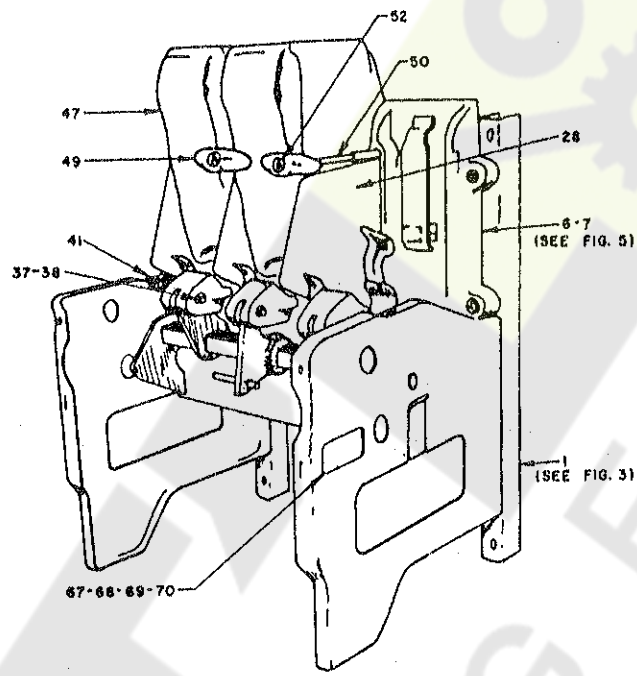


Fig. 1 - Basic Breaker Assembly For K225 and K600 Circuit Breakers

S-16000

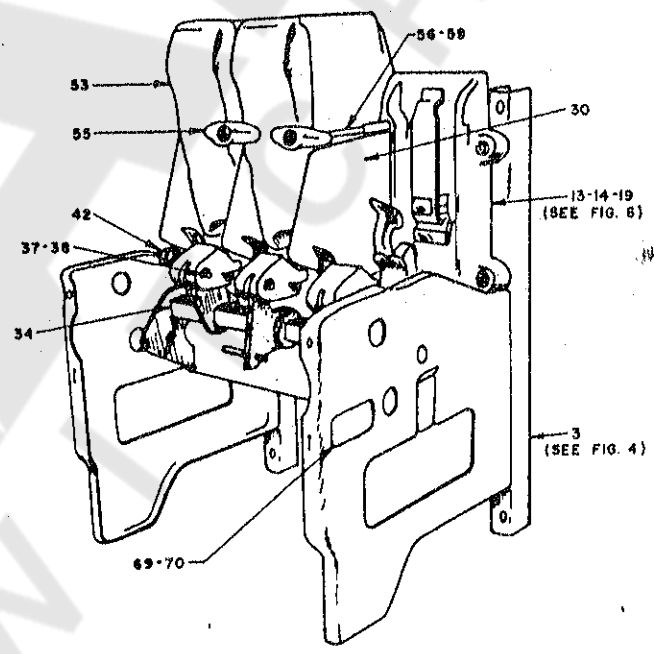


Fig. 2 - Basic Breaker Assembly For K600 and K1600 Circuit Breakers.



BASIC FRAME ASSEMBLIES AND PARTS
FOR K-225, K-600 AND K-1600 CIRCUIT BREAKERS

FIG. REF.	INDEX NO.	DESCRIPTION OF ASSEMBLY OR PARTS	ORDERING NUMBER	UNIT QUAN. PER BREAKER		
				K-225	K-600	K-1600
3	1	Vertical Mounting Channel (L.H.)	701449-A	1	1	
3	3	Vertical Mounting Channel (R.H.)	701449-B	1	1	
3	6	Jack Shaft Bearing (Both breaker Side Frames)	704146-A	2	2	
3-4	7	R.H. Breaker Side Frame	704132-A	1	1	1
3-4	8	L.H. Breaker Side Frame	704132-B	1	1	1
3	13	"Speed Grip" Nut (Back of Side Frame)	650434-A6	2	2	
4	18	Nut Plate (Top-side Frame & Panel)	650406-B			2
3-4	20	"J" Nut (Side Frames-Front)	650439-A	4	4	4
3	26	Jack Bar Sub-Assembly	702294-K2	1	1	
3	27	Mech. Rear Supt. Channel	702172-A	1	1	
3	29	Insulation Horizontal Shield	701532-A	1	1	
4	37	Panel Assembly	701523-K1			1
4	39	Vertical panel Stiffner	701530-A			2
4	47	"Speed Grip" Nut (Bottom of Panel)	650434-A7			6

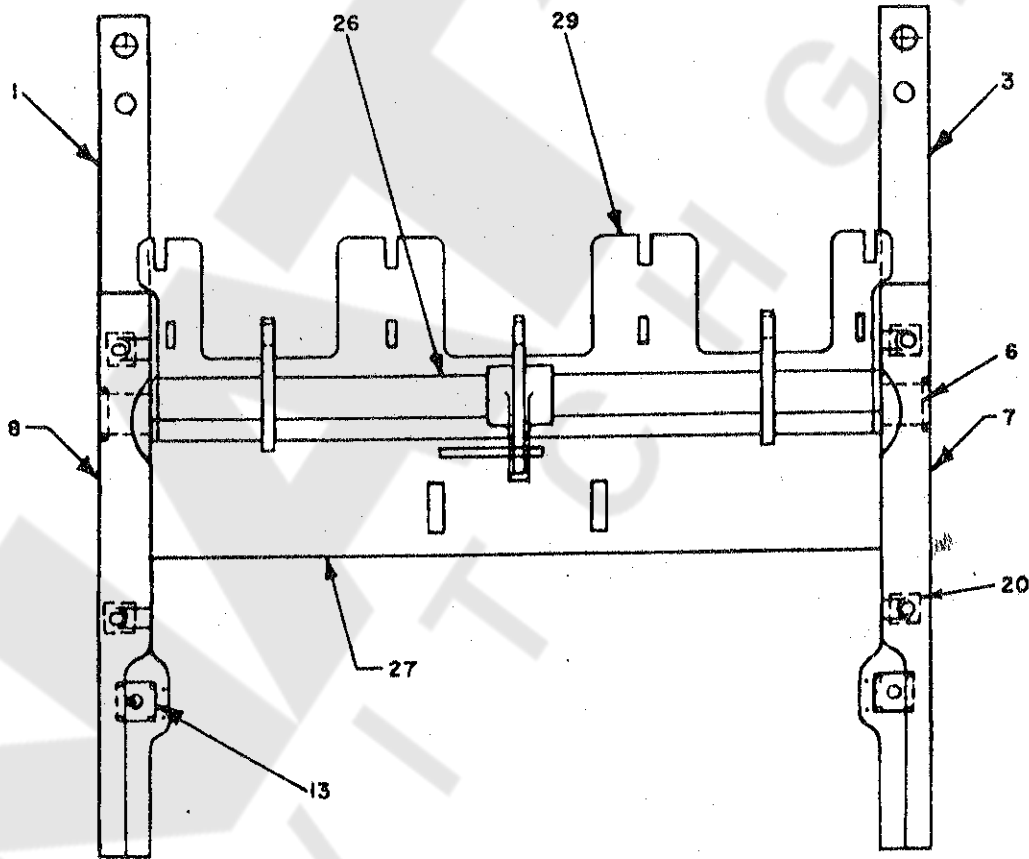


Fig. 3 - Basic Frame Assembly and Parts For K225 and K600 Circuit Breakers.

FOR PRICES AND TECHNICAL INFORMATION,
REFER TO THE NEAREST OFFICE OF I-T-E CIRCUIT BREAKER COMPANY.

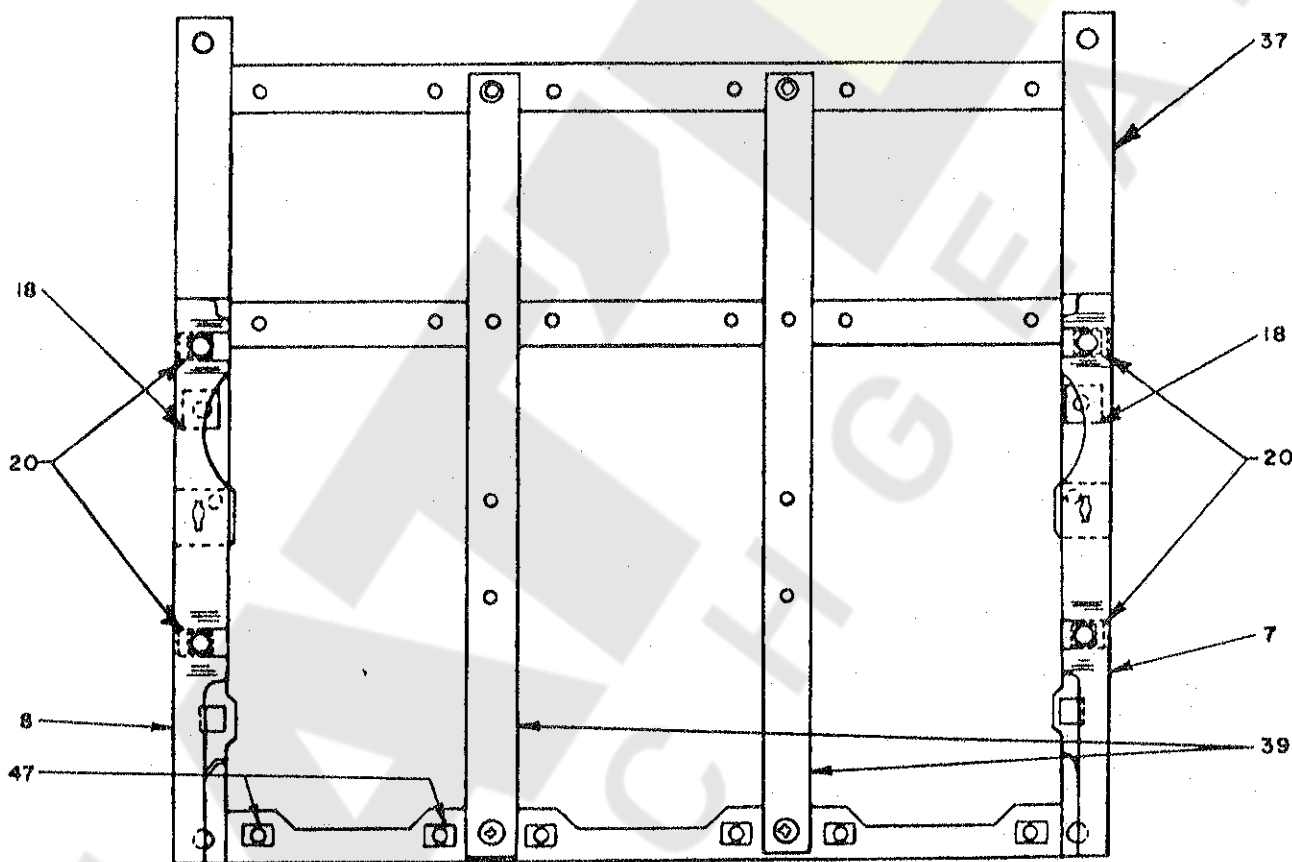


Fig. 4 - Basic Frame Assembly and Parts For K600 and K1600 Circuit Breakers.

S-16002



COMPLETE UPPER MOLDING, CONTACT STRUCTURE
AND UPPER CURRENT STUD ASSEMBLY FOR K-225, K-600 & K-1600 CIRCUIT BREAKERS

FIG. REF.	INDEX NO.	DESCRIPTION OF ASSEMBLY OR PART	ORDERING NUMBER	UNIT QUAN. PER BRKR. ASSEMBLY									
				K-225			K-600			K-1600			
				1 POLE	2 POLE	3 POLE	1 POLE	2 POLE	3 POLE	1 POLE	2 POLE	3 POLE	
5 5-6	4	Basic Upper Molding (one per brkr.)	702291-K1	1									
	5	Basic Upper Molding (one per brkr.)	702291-K2		1								
	6	Basic Upper Molding (one per brkr.)	702291-K3			1							
	10	Basic Upper Molding (one per brkr.)	702291-K7				1						
	11	Basic Upper Molding (one per brkr.)	702291-K8					1					
	12	Basic Upper Molding (one per brkr.)	702291-K9						1				
	16	Basic Upper Molding (one per brkr.)	702291-K13							3	3	3	
	22	Basic Moving Contact Structure	702292-K1	1	2	3							
	25	Basic Moving Contact Structure	702292-K7				1	2	3				
	28	Basic Moving Contact Structure	702292-K13							1	2	3	
	34	Nut Plate (Contact Structure to Molding)	701430-A	2	4	6	2	4	6				

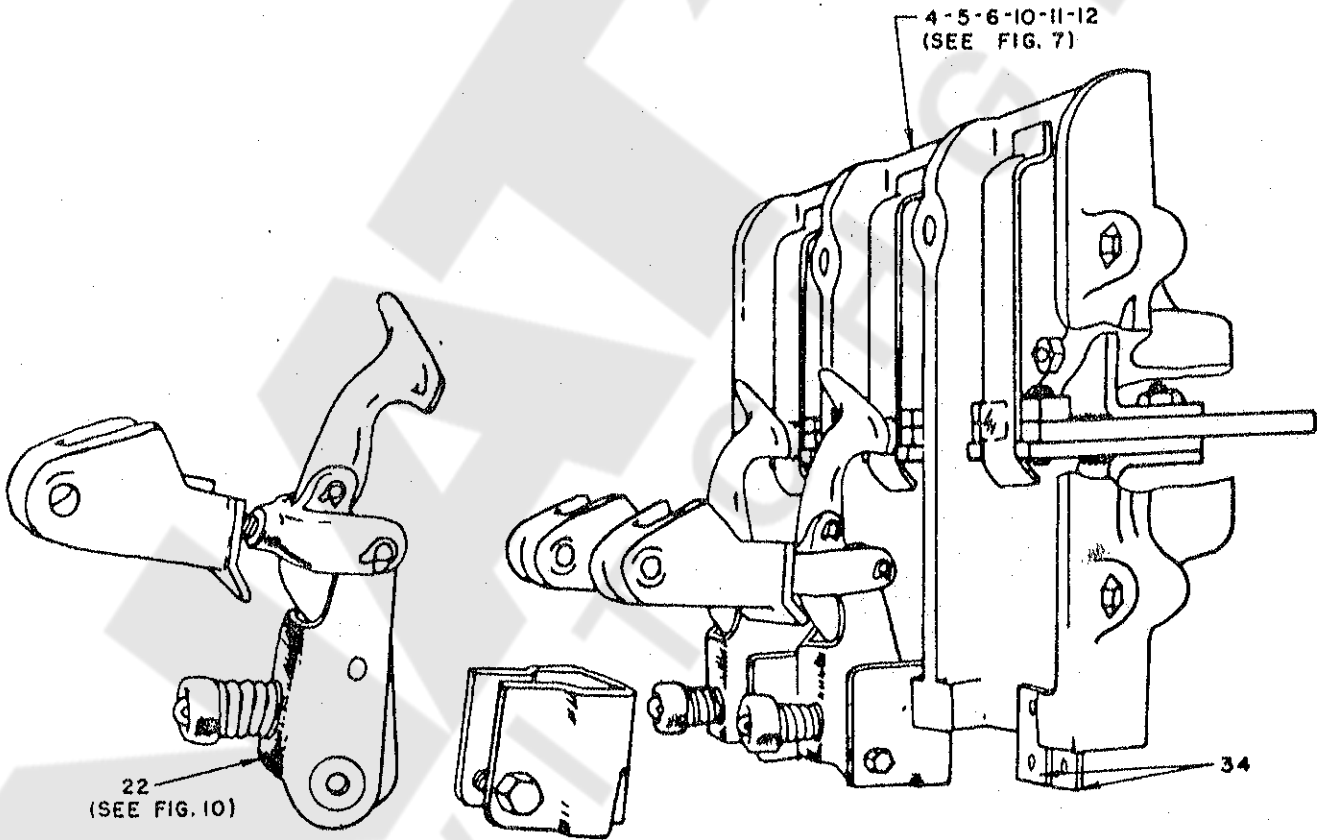


Fig. 5 - Complete Upper Molding, Contact Structure and Upper Current Stud Assembly For K225 Circuit Breakers.

FOR PRICES AND TECHNICAL INFORMATION,
REFER TO THE NEAREST OFFICE OF I-T-E CIRCUIT BREAKER COMPANY.

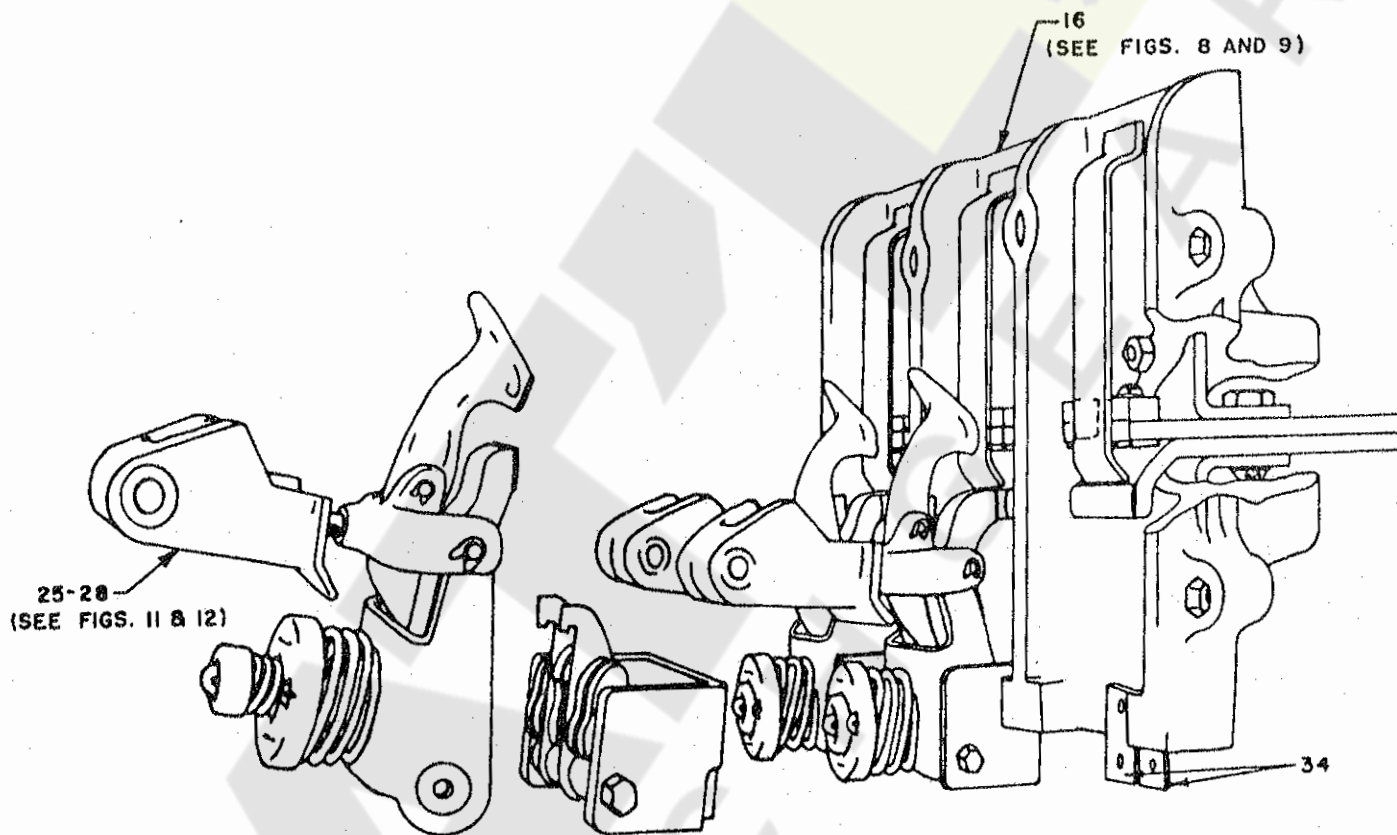


Fig. 6 - Complete Upper Molding, Contact Structure and Upper Current Stud Assembly For K600, KI600 Circuit Breakers.

2-15004



SUB-ASSEMBLY FOR UPPER MOLDING, STATIONARY CONTACT
AND UPPER STUD FOR K-225, K-600 AND K-1600 CIRCUIT BREAKERS

FIG.. REF..	INDEX NO.	DESCRIPTION OF ASSEMBLY OR PART	ORDERING NUMBER	UNIT QUAN. PER BRKR. ASSEMBLY								
				K-225			K-600			K-1600		
				1 POLE	2 POLE	3 POLE	1 POLE	2 POLE	3 POLE	1 POLE	2 POLE	3 POLE
7-8	2	Upper Molding (With Inserts)	701456-K1	1	1	1	1	1	1			
9	3	Upper Molding (With Inserts)	701442-K1									
7-8-9	6	Upper Current Stud (Upper Half)	701400-A	1	2	3	1	2	3	3	4	6
7	7	Position Plate	701428-A	1	2	3						
8-9	8	Upper Current Stud Assem. (Lower Half)	701402-K1				1	2	3	2	4	6
8-9	9	Nut Plate	701430-B				1	2	3	2	4	6
7	10	Rear Arc Horn Assembly	701454-K1	1	2	3						
8	11	Rear Arc Horn Assembly	701445-K1				1	2	3			
9	12	Rear Arc Horn Assembly	701448-K1							1	2	3
7-8-9	19	Rear Clip	701403-A	2	4	6	2	4	6	4	8	12

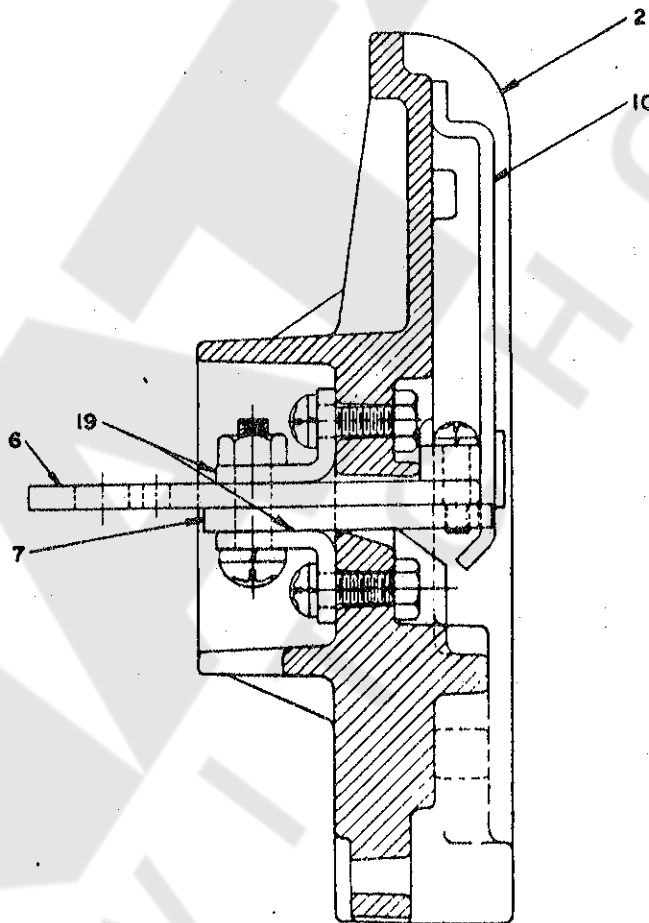


Fig. 7 - Upper Molding, Stationary Contact and Upper Stud for K-225 Circuit Breakers.

FOR PRICES AND TECHNICAL INFORMATION,
REFER TO THE NEAREST OFFICE OF I-T-E CIRCUIT BREAKER COMPANY.

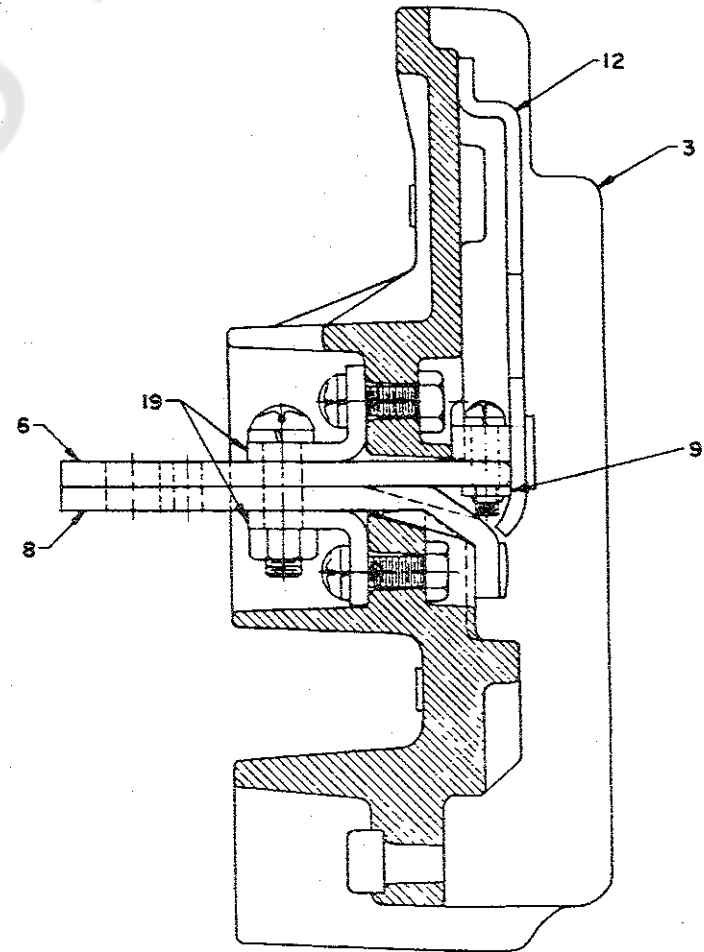
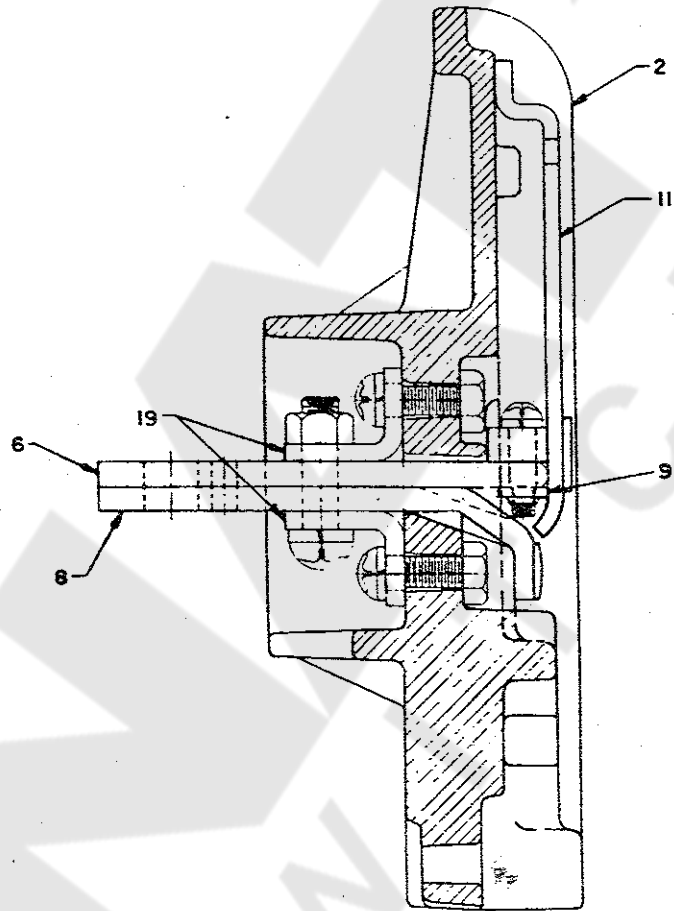


Fig. 8 - Upper Molding, Stationary Contact and Upper Stud For K600 Circuit Breakers.

Fig. 9 - Upper Molding, Stationary Contact and Upper Stud For K1600 Circuit Breakers.



SUB-ASSEMBLY FOR UPPER MOVING CONTACT STRUCTURE
FOR K225, K600 and K1600 CIRCUIT BREAKERS

FIG. REF.	INDEX NO.	DESCRIPTION OF ASSEMBLY OR PART	ORDERING NUMBER	UNIT QUAN. PER BRKR. ASSEMBLY								
				K225			K600			K1600		
				1 POLE	2 POLE	3 POLE	1 POLE	2 POLE	3 POLE	1 POLE	2 POLE	3 POLE
10-11-12	1	Arcing Contact Arm Assembly	704421-F	1	2	3	1	2	3	1	2	3
10-11-12	4	Arcing Contact Arm Assembly	704429-	1	2	3	1	2	3	1	2	3
10-11-12	5	Yoke	701424-	1	2	3	1	2	3	1	2	3
10-11-12	11	Pin (5/16D. x 1-1/4) (Contact pivot in yoke)	54126-	1	2	3	1	2	3	1	2	3
10-11-12	12	Squeeze Retainer	702312-A	2	4	6	2	4	6	2	4	6
10-11-12	15	Connecting Stud (3/8-24) (L.H. & R.H. Threads)	701501-A	1	2	3	1	2	3	1	2	3
10-11-12	16	Insulated Connector	703968-K1	1	2	3	1	2	3	1	2	3
10-11-12	19	Contact Carrier	701503-A	1	2	3						
10-11-12	20	Contact Carrier	701425-A				1	2	3	1	2	3
10-11-12	21	Contact Carrier	701405-A							1	2	3
10-11-12	24	Pin (5/16D. x 2-1/2) (Carrier pivot in yoke)	54126-A61	1	2	3	1	2	3			
10-11-12	25	Pin (5/16D. x 3-1/2) (Carrier pivot in yoke)	54126-B4							1	2	3
10-11-12	26	Squeeze Retainer	702312-A	2	4	6	2	4	6	2	4	6
10-11-12	28	Bushing (either side of carrier)	650301-A44	2	4	6						
10-11-12	29	Washer (Melamine) (Either side of contact supt. bracket)	650360-A							4	8	12
10-11-12	33	Contact Supt. Bracket	701502-A	1	2	3						
10-11-12	34	Contact Supt. Bracket	701429-A				1	2	3			
10-11-12	35	Contact Supt. Bracket (Outside)	701408-A							1	2	3
10-11-12	36	Contact Supt. Bracket (Inside)	701438-A							1	2	3
10-11-12	37	Nut (Special)	701427-A							4	8	12
10-11-12	39	Nut Plate	701430-A							4	8	12
10-11-12	40	Contact Bushing	701407-A	1	2	3						
10-11-12	41	Contact Bushing	701407-B				1	2	3			
10-11-12	42	Contact Bushing (Center)	703912-A							1	2	3
10-11-12	43	Contact Bushing (Outside)	703912-B							2	4	6
10-11-12	47	Stud (3/8-16x4-3/4) (Thru Bushing)	701495-A							1	2	3
10-11-12	52	Lower Arcing Contact Finger Assem.	701465-K1				2	4	6			
10-11-12	53	Lower Arcing Contact Finger Assem.	701465-K2	2	4	6				2	4	6
10-11-12	56	Upper Main Contact Assembly	701416-K1				2	4	6	2	4	6
10-11-12	57	Lower Main Contact Finger Assem.	701417-D				2	4	6	2	4	6
10-11-12	58	Spacer	701426-A				2	4	6	2	4	6
10-11-12	59	Link	701420-A	1	2	3	1	2	3	1	2	3
10-11-12	60	Link	701419-A				2	4	6	2	4	6
10-11-12	61	Washer Guide (on link against carrier)	701406-A	1	2	3				2	4	6
10-11-12	62	Barrel Pin (.184x13/32) (thru link and cup)	701421-A	1	2	3	4	8	12	7	14	21
10-11-12	63	Barrel Pin (.184x5/8) (thru fingers and link)	701421-B	1	2	3						
10-11-12	64	Spring	650201-A5	1	2	3	1	2	3	1	2	3
10-11-12	65	Spring	650201-A6				1	2	3			
10-11-12	66	Spring (center for each pole)	650201-A13							1	2	3
10-11-12	67	Spring (L.H. & R.H. for each pole)	650201-A14							2	4	6
10-11-12	68	Cup	701423-A				1	2	3	1	2	3
10-11-12	69	Cup	701422-A	1	2	3	1	2	3	1	2	3
10-11-12	70	Cup Retainer	701467-A				2	4	6	2	4	6

FOR PRICES AND TECHNICAL INFORMATION,
REFER TO THE NEAREST OFFICE OF I-T-E CIRCUIT BREAKER COMPANY.



S-16008

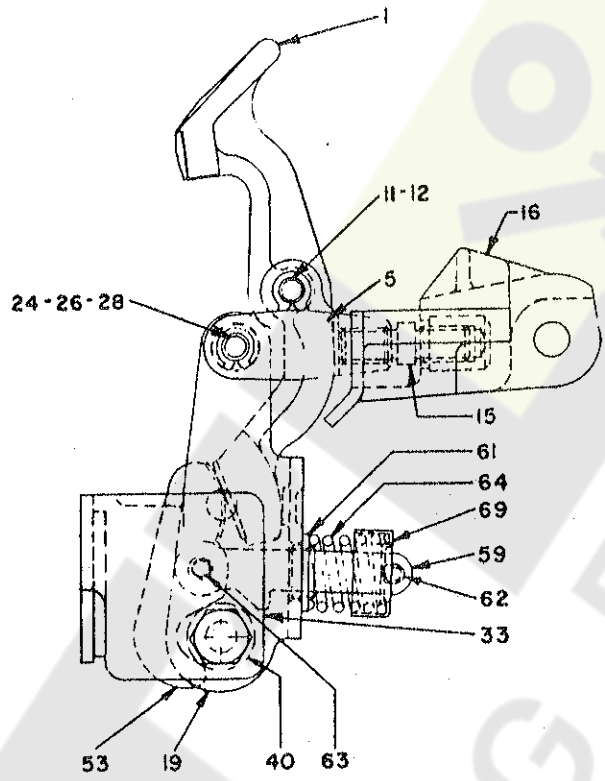


Fig. 10 - Upper Moving Contact Structure For K225 Circuit Breakers.

S-16009

S-16010

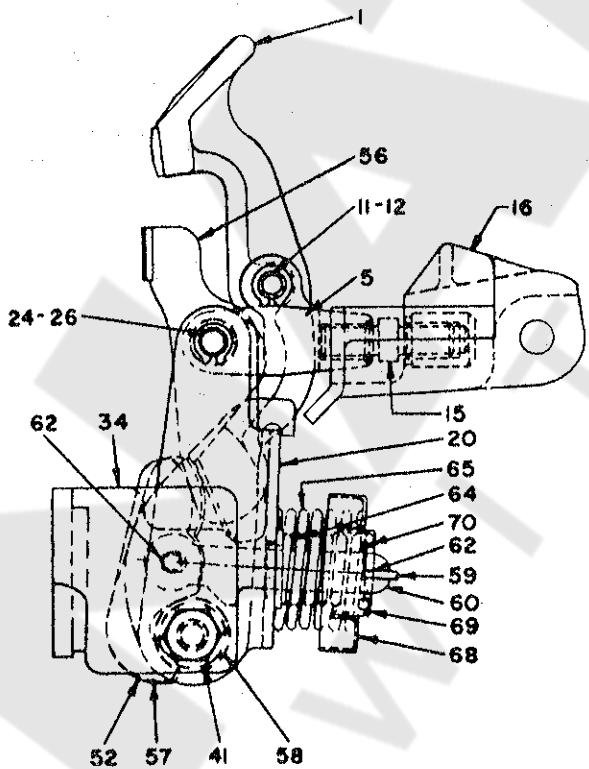


Fig. 11 - Upper Moving Contact Structure For K600 Circuit Breakers.

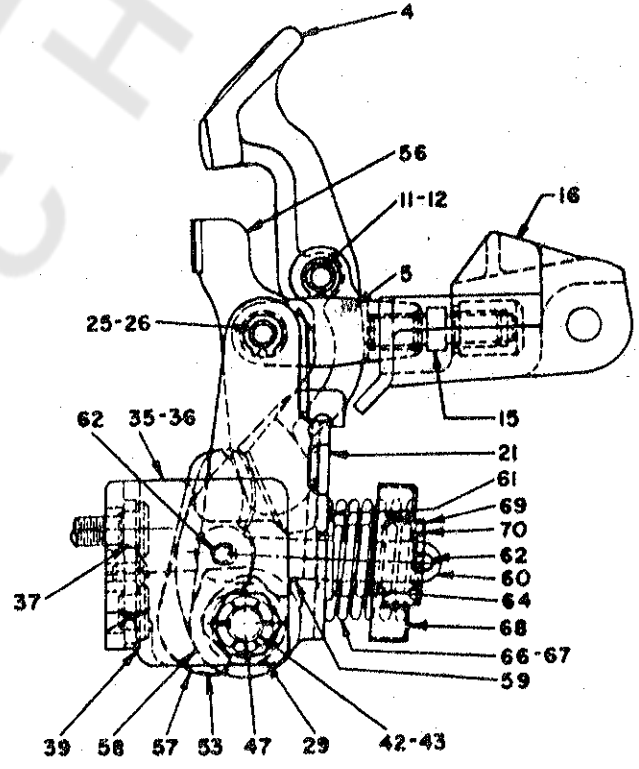


Fig. 12 - Upper Moving Contact Structure For K1600 Circuit Breakers.