



LOW VOLTAGE POWER SWITCHGEAR

RENEWAL PARTS

OPERATING MECHANISM ASSEMBLY

FOR

TYPE K-225, K-600, AND K-1600 CIRCUIT BREAKERS

ORDERING INSTRUCTIONS

When ordering, always state type of circuit breaker and service number from the label associated with the assembly.

State the quantity, description, and ordering number of each assembly or part required.

EXAMPLE: To order a manual closing handle assembly for a type K-600 circuit breaker, specify the following:

For a type K-600 circuit breaker
Service Number 702296-K1-R9

Quantity 1 Manual closing handle assembly 703136-K1

NOTE: This bulletin does not list standard hardware (screws, nuts, lockwashers, etc.). It is recommended that standard hardware be purchased locally.

I-T-E CIRCUIT BREAKER COMPANY •

PHILADELPHIA 30, PENNSYLVANIA



OPERATING MECHANISM ASSEMBLY
FOR K225, K600 & K1600 (STATIONARY OR DRAWOUT)

FIG. REF.	INDEX NO.	DESCRIPTION OF ASSEMBLY OR PART	ORDERING NO.	UNIT QUAN. PER BRKR. ASSEM.					
				K225		K600		K1600	
				M.O.	E.O.	M.O.	E.O.	M.O.	E.O.
1	1	Mechanism Housing (R.H., F.O.B.)	701584-K1	1		1		1	
3	2	Mechanism Housing (R.H., F.O.B.)	701584-K4		1		1		1
3-8	5	Screw (Trip Bar Travel Adj. R.H. Housing)	701589-A	1	1	1	1	1	1
7	6	Sintered Bearing (Charging Crank)	703950-A		2		2		2
2-6	7	Mechanism Housing (L.H., F.O.B.)	703065-K1	1		1		1	
6	8	Mechanism Housing (L.H., F.O.B.)	703065-K4		1		1		1
3-8	9	Screw (Latch Bar Stop)	703966-A	1	1	1	1	1	1
3-8	10	Spring (Latch Bar Adj. in R.H. Housing)	50404-B19	1	1	1	1	1	1
3-8	11	Nut Block (Latch Bar Adj. in R.H. Housing)	703967-A	1	1	1	1	1	1
3-8	12	Lock Nut (1/4-20)	50369-G	1	1	1	1	1	1
1-5	13	Main Latch Rollers & Carrier Assem.	703134-K1	1	1	1	1	1	1
3-8	14	Pin (3/8 x 2-3/32) Carrier Assem. to Housing	650050-A18	1	1	1	1	1	1
3-8	15	Waldes Retainer (3/8)	172909-D	2	2	2	2	2	2
1-8	17	Spring (Carrier Assem. to R.H. Housing Bar)	650216-A2	1	1	1	1	1	1
1-5	19	Primary or Main Latch Assembly	703135-K1	1	1	1	1	1	1
1	20	Pin (7/16 x 2-3/32) (Latch Pivot)	702883-A	1		1		1	
5	21	Pin (7/16 x 2-21/32) (Latch Pivot)	702883-B		1		1		1
1-5	22	Waldes Retainer (7/16)	172909-H	2	2	2	2	2	2
1-5	25	Secondary or Latch Bar Assembly	703401-K1	1	1	1	1	1	1
1-5	26	Needle Bearing (in each end of latch)	75547-A2	2	2	2	2	2	2
1-5	27	Bushing (Spaces Bearing in Latch)	650301-A65	1	1	1	1	1	1
1	29	Pin (3/16 x 2-1/8) Spring Supt. Prim. & Sec. Latch	54124-A53	1	1	1	1	1	1
1-5	30	Bushing (Spaces Spring on Pin)	650301-A57	1	1	1	1	1	1
1	31	Crimp Retainer (3/16)	703156-A	2		2		2	
1-5	33	Spring (Primary Latch)	650216-A1	1	1	1	1	1	1
1-5	34	Spring (Secondary Latch)	703276-A	1	1	1	1	1	1
4-9	37	Tripper Bar (Std.)	702184-K1	1	1	1	1	1	1
4-9	38	Tripper Bar (Std.) (Center)	702184-K2						
4-9	39	Washer	50702-B59	1	1	1	1	1	1
4-9	40	Outer Tripper Molding	702572-A					2	2
4-9	41	Shaft (L.H.) (4-17/32 Lg.)	702571-A					1	1
4-9	42	Shaft (R.H.) (3-23/32 Lg.)	702571-B					1	1
4-9	43	Shouldered Stud (In Shaft Ends)	703961-A					2	2
4-9	44	Roll Pin (Tripper Bar)	177356-A25					2	2
1-5	47	Pin (3/16 x 3) (Secondary Latch Pivot)	702874-A	1	1	2	2	1	1
1-5	48	Pin (3/16 x 2 x 3/4) (Sec. Latch Pivot, Center)	702874-B					1	1
4-9	49	Support (Tripper Bar)	702672-A					1	1
2-6-10	53	Trip Link	702189-A	1	1	1	1	1	1
2-10	54	Trip Button Molding	702186-A	1	1	1	1	1	1
4-5	57	Bushing (Spaces Housings)	650301-A46	1	1	1	1	1	1
4-5	58	Spec. Screw (1/4-20 x 2) (Trip Link Guide)	703414-A	1	1	1	1	1	1
4-5	59	Lock Nut (1/4-20) (Special Screw)	50369-G	1	1	1	1	1	1
4-9	61	Front Plate	702870-A					1	1
4-9	62	Front Plate	702870-B	1	1	1	1	1	1
8	73	Automatic Trip Indicator Assembly (Reset)	702182-K1	1	1	1	1	1	1
3	74	Automatic Trip Indicator Assembly (Reset)	702182-K2	1	1	1	1	1	1
3-8	75	Roller (On Stud of Trip Indicator Lever)	703060-A	1	1	1	1	1	1
3-8	78	Spring (Trip Indicator to R.H. Housing-Front)	50402-B40	1	1	1	1	1	1
3-8	80	Automatic Trip Latch Assembly	702177-K1	1	1	1	1	1	1
3-8	81	Pin (3/16 x 2-1/2)	650050-A23	1	1	1	1	1	1
3-8	83	Crimp Retainer (3/16)	703156-A	2	2	2	2	2	2
3-8	85	Spring (Auto, Trip Latch to R.H. Housing-Rear)	650216-A1	1	1	1	1	1	1
2-10	86	Visual Nameplate Assembly (Includes nameplate, Supt., Rivet)	702665-K1	1	1	1	1	1	1
2-8-10	89	Pin (1/4" Shldr.) (Flag Pivot)	702976-A	1	1	1	1	1	1
2-8-10	90	Crimp Retainer (1/4)	703250-A	2	2	2	2	2	2
2-6	92	Visual Lever	702666-A	1	1	1	1	1	1
2-6	94	Crimp Retainer (1/4)	703250-A	1	1	1	1	1	1
2-6-10	96	Spring (Visual Flag to Lever)	650216-A10	1	1	1	1	1	1
2-6-10	97	Spring (Lever to Top of L.H. Housing)	50402-A21	1	1	1	1	1	1
2-6-10	98	Eye Hook (Spring to Top of L.H. Housing)	702977-A	1	1	1	1	1	1
2-6-10	100	Stud (Long) (In L.H. Housing-Front)	650164-A8	1	1	1	1	1	1
2-6-10	103	Lockout Lever Assembly (On Long Stud)	703179-K1	1	1	1	1	1	1
2-6-10	104	Crimp Retainer (3/16)	703156-A	1	1	1	1	1	1
2-6-10	106	Padlock Plate Assembly	702970-K1	1	1	1	1	1	1
2-6-10	107	Spring (Lockout Lever to Padlock Plate)	50402-B40	1	1	1	1	1	1
2-6-10	108	Eye Hook (Spring-Lever to Plate)	702977-A	1	1	1	1	1	1
1	110	Main Cam (1st Stage)	704293-K1	1	1	1	1	1	1
5	111	Main Cam (1st Stage)	702087-A		1		1		1
3-5	112	Bushing (Main Cam)	650303-E	1	1	1	1	1	1
1-5	113	Prop Latch Assembly	703902-K1	1	1	1	1	1	1
3	114	Pin (3/8 x 2-3/32) (Through main cam, prop latch and housing)	650050-A18	1		1		1	
3-5	115	Waldes Retainer (3/8)	172909-D	2		2		2	

NOTE:

M.O. - Manually operated circuit breakers

E.O. - Electrically operated circuit breakers

FOR PRICES AND TECHNICAL INFORMATION,
REFER TO THE NEAREST OFFICE OF L-T-E CIRCUIT BREAKER COMPANY.



OPERATING MECHANISM ASSEMBLY
FOR K225, K600, & K1600 (STATIONARY OR DRAWOUT)

FIG. REF.	INDEX NO.	DESCRIPTION OF ASSEMBLY OR PART	ORDERING NO.	UNIT QUAN. PER BRKR. ASSEM.					
				K225		K600		K1600	
				M.O.	E.O.	M.O.	E.O.	M.O.	E.O.
1-5	117	Spring (Prop Latch to Pivot Pin of Visual)	650223-A	1	1	1	1	1	1
1-5	118	Spring Eye	650254-B	2	2	2	2	2	2
1	119	Hold-up Latch Assembly	701994-K1	1		1		1	
1	120	Pin (3/8 x 2-3/32) (Pivot for Hold-up Latch in Housing)							
1	121	Waldes Retainer (3/8)	650050-A18	1		1		1	
1	123	Spring (Hold-up Latch to Front Plate Top)	172909-D	2		2		2	
1	125	Pin (3/8 x 2-3/32) (Stop for Hold-up Latch)	650216-A	1		1		1	
1	126	Waldes Retainer (3/8)	650050-A18	1		1		1	
1	128	Hand Closing Cam Assembly	172909-D	2		2		2	
1	129	Pin (3/8 x 2-3/32) (Pivot for Hand Close Cam)	702805-K1	1		1		1	
1	130	Waldes Retainer (3/8)	650050-A18	1		1		1	
1	132	Manual Closing Handle Assembly	172909-D	2		2		2	
1	133	Pin (3/8 x 3/4) (Pivot for Handle)	703136-K1	1		1		1	
1	134	Retainer Clip (Handle Pivot Pin)	650048-J	2		2		2	
2	135	Stud-Short (In L.H. Housing-Front)	79139-A	2		2		2	
2	144	Stop Assembly (Manual Handle)	650164-A9	1		1		1	
3	145	Pin (3/8 x 2-3/32) (Pivots Stop Assem. on Housing)	703467-K1	1		1		1	
3	146	Waldes Retainer (3/8)	650050-A18	1		1		1	
3	149	Closing Spring Assembly (R.H.)	172909-D	2		2		2	
3	150	Closing Spring Assembly (L.H.)	703137-K1	1		1		1	
7	151	Closing Spring Assembly	703137-K2	1		1		1	
3	153	Closing Spring Assembly (R.H.)	703137-K3		2		2		
2	154	Closing Spring Assembly (L.H.)	703137-K9					1	1
7	155	Closing Spring Assembly	703137-K10					1	1
2	157	Link (Closing Spring) (Upper)	703137-K11						2
6-7	158	Link (Closing Spring) (Upper)	702806-A	2		2		2	2
2	160	Guard (On M.O. Links)	702088-A		2		2		2
2	162	Pin (3/8 Shldr.) (Closing Spring)	701572-A	2		2		2	2
6-7	163	Pin (3/8 Shldr.) (Closing Spring)	701568-A	2		2		2	2
1	165	Bushing (Inner Buffer)	701568-B		2		2		2
1	166	Bushing (Outer Buffer)	702810-A	2		2		2	2
7	167	Bushing (Upper Pin)	650301-A45	2		2		2	2
7	168	Bushing (Lower Pin)	650301-A51	2		2		2	2
2	169	Bushing (Lower Pin-Inside)	650301-A52	2		2		2	2
2	170	Bushing (Upper Pin)	650301-A53	2		2		2	2
2	171	Bushing (Lower Pin-Outside)	650301-A54	2		2		2	2
2-7	173	Washer (13/32 I.D.) (On Pins)	650301-A56	4		4		4	4
3	176	Spring (Main Cam Reset) (R.H. Housing Ear to Closing Springs)	54500-H	4		4		4	4
			650220-A4	1		1		1	
DRAWOUT PARTS									
11	180	Support Bracket (On L.H. Housing-Front)	703172-A	1	1	1	1	1	1
11	182	Shakeproof Lock (1/4 Int.)	50733-F	2	2	2	2	2	2
11	185	Stud (In Supt. Brkt.)	650172-G	1	1	1	1	1	1
2-11	190	Shutter Assembly	702972-K1	1	1	1	1	1	1
2-10	192	Hold-Open Link	703175-A	1	1	1	1	1	1
2-10	194	Shutter Interlock Lever	702971-A	1	1	1	1	1	1
11	196	Drive Gear & Shaft Assembly	702931-K1	1	1	1	1	1	1
11	198	Bushing (Over Shaft Assembly)	650301-A60	1	1	1	1	1	1
11	200	Bronze Washer (Between Gear & Front Plate)	650353-E	1	1	1	1	1	1
*	202	Grey Sticker (Stationary)	703420-H1	1		1			
*	203	Grey Sticker (Drawout)	703420-H2	1		1			
*	204	Grey Sticker (Stationary)	703420-H3		1		1		
*	205	Grey Sticker (Drawout)	703420-H4		1		1		
*	206	Grey Sticker (Stationary)	703420-H5					1	
*	207	Grey Sticker (Drawout)	703420-H6					1	
*	208	Grey Sticker (Stationary)	703420-H7						1
*	209	Grey Sticker (Drawout)	703420-H8						1
*	210	Grey Sticker (Blank)	703420-H0						
2-10	213	Escutcheon Box Assembly (Includes Brass Eyelet, Dust Plate Spring)	703259-K1	1	1	1	1	1	1
4-6	219	Dust Plate	702669-A	1	1	1	1	1	1
4	221	Front Cover Assembly (Stationary)	703257-K1	1		1		1	
4	222	Front Cover Assembly (Drawout)	703257-K2	1		1		1	
9	223	Front Cover Assembly (Stationary)	703258-K1		1		1		1
9	224	Front Cover Assembly (Drawout)	703258-K2		1		1		1
4-9	226	Screw (Oval HO 6 x 3/8) (Cover to Box)	54392-B2	4	4	4	4	4	4
*	228	Nameplate (Position) (Drawout)	701567-A	1	1	1	1	1	1

NOTE:

* - Not Shown.

M.O. - Manually operated circuit breakers

E.O. - Electrically operated circuit breakers

FOR PRICES AND TECHNICAL INFORMATION,
REFER TO THE NEAREST OFFICE OF I-T-E CIRCUIT BREAKER COMPANY.



OPERATING MECHANISM ASSEMBLY
FOR K225, K600 & K1600 (STATIONARY OR DRAWOUT)

FIG. REF.	INDEX NO.	DESCRIPTION OF ASSEMBLY OR PART	ORDERING NO.	UNIT QUAN. PER BRKR. ASSEM.							
				K225		K600		K1600			
				M.O.	E.O.	M.O.	E.O.	M.O.	E.O.		
		ELECTRICAL OPERATED MECHANISM PARTS (STATIONARY OR DRAWOUT)									
*	234	Wire 41 (Local C5)	703392-41		1		1				1
*	235	Wire 42 (Local C5)	703392-42		1		1				1
*	237	Close Switch	703271-A		1		1				1
*	238	Charge Power Switch	703270-A		1		1				1
*	240	Wire 35 (To CPS)	703392-35		1		1				1
*	241	Wire 36 (To CPS)	703392-36		1		1				1
*	242	Wire 38 (To CPS)	703392-38		1		1				1
*	244	Mounting Bracket (Both Switches)	703253-A		1		1				1
*	245	Insulation Sheet	703254-A		1		1				1
*	247	Grommet (In R.H. Mech. Housing)	703412-A		1		1				1
*	248	Stud (Short)	650164-A9		1		1				1
10	250	Close Button (Moulding) (Close)	703260-A		1		1				1
5	253	Primary Close Latch Assembly	703046-K1		1		1				1
6	254	Secondary Close Latch Assembly	703071-K1		1		1				1
5	256	Closing Spring Arm	702089-A		1		1				1
5	257	Blocking Lever	702091-A		1		1				1
5	260	Charge Sign Supt. Assembly (Includes Sign-Spring Charged & Uncharged, Rivet)	703069-K2		1		1				1
7	265	Crank Shaft	702653-A		1		1				1
7	266	Bushing (Crank Shaft)	702652-A		1		1				1
7	268	Charging Crank (L.H.)	704129-A		1		1				1
7	269	Charging Crank (R.H.)	704130-A		1		1				1
7	272	Ratchet	702099-A		1		1				1
7	273	Drive Pawl Carrier	702154-A		1		1				1
7	274	Rivet (Stop for Ratchet Pawl)	650280-A10		1		1				1
7	275	Roller (Close Latch)	704131-A		1		1				1
7	277	Pawl (Ratchet)	703490-A		2		2				2
7	279	Bushing (L.H. Hold. Pawl)	650301-A50		1		1				1
5	283	Pin (3/8 x 2-9/16) (Stop for Prop Latch, Pivot, & Blocking Lever)	650050-A19		2		2				2
5	285	Pin (1/2 x 3-7/32) (Closing Cam Drive)	702086-A		1		1				1
5	285A	Crimp Retainer (3/8)	1720909-D		2		2				2
5	287	Pin (1/4 x 2 Lg.) (Pivot for Chrg. Visual)	650048-A2		1		1				1
5	288	Crimp Retainer (1/4) (On Visual Pin)	703250-A		1		1				1
5	289	Pin (3/8 x 1) (Pivot for Drive Pawl)	650050-A16		1		1				1
5	289A	Crimp Retainer (3/8)	172909-D		2		2				2
6	291	Pin (3/16 x 2-5/8) (Pivot for Secondary Close Latch)	650050-A24		1		1				1
6	292	Crimp Retainer (3/16)	703156-A		2		2				2
6	295	Roll Pin (1/8 x 1/2) (Drive Pin Retainer)	650043-A3		1		1				1
6	296	Roll Pin (1/8 x 7/8) (Charge Visual Drive)	177356-D		1		1				1
6	297	Roll Pin (1/8 x 1-1/2) (Spring Blocking Lever)	650043-A4		1		1				1
6	298	Roll Pin (1/8 x 1-1/8) (Cranks to Crank Shaft)	177356-A17		2		2				2
6	302	Eye (Upper Pawl Spring)	703427-A		1		1				1
6	303	Spring (Pawl Carrier Return)	650225-A		1		1				1
6	305	Spring (Charge Visual)	50402-A21		1		1				1
6	306	Spring Torsion (Hold Pawl)	703779-A		2		2				2
6	308	Spring (Primary Latch)	650216-A11		1		1				1
6	310	Spring-Torsion (Secondary Latch)	701571-A		1		1				1
7	311	Brass Eyelet (Sec. Latch Spring-Non-Jam Spacer)	177492-H		1		1				1
7	312	Spring Torsion (Drive Pawl)	703778-A		1		1				1
5	349	Serial Number Sticker	703420-M0	1	1	1	1	1	1	1	1

NOTE:

- * - Not Shown.
- M.O. - Manually operated circuit breakers
- E.O. - Electrically operated circuit breakers

FOR PRICES AND TECHNICAL INFORMATION,
REFER TO THE NEAREST OFFICE OF I-T-E CIRCUIT BREAKER COMPANY.

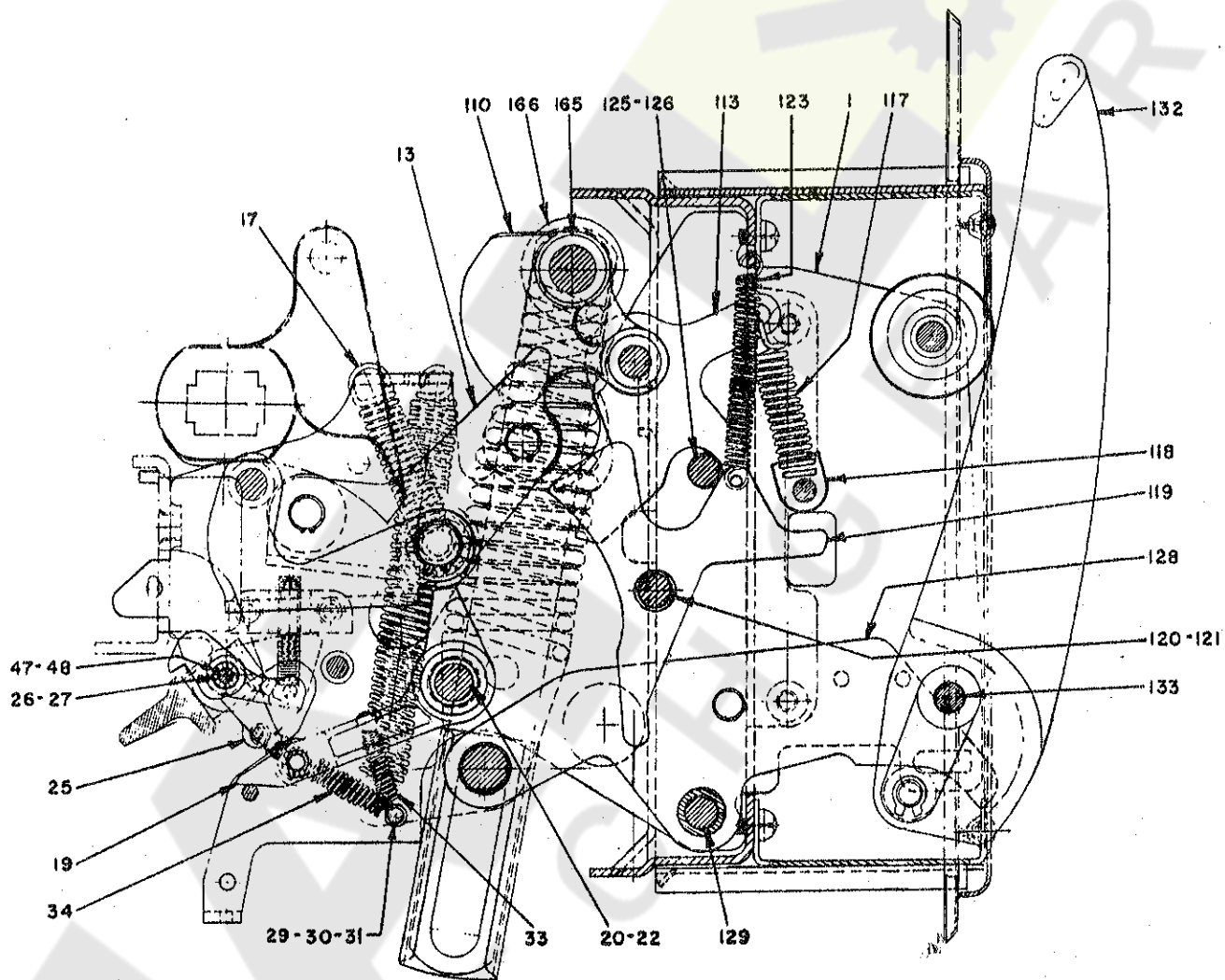


Fig. 1 - Section View of Manually Operated Mechanism Assembly
For K225, K600 and K1600 Circuit Breakers.

S-16011

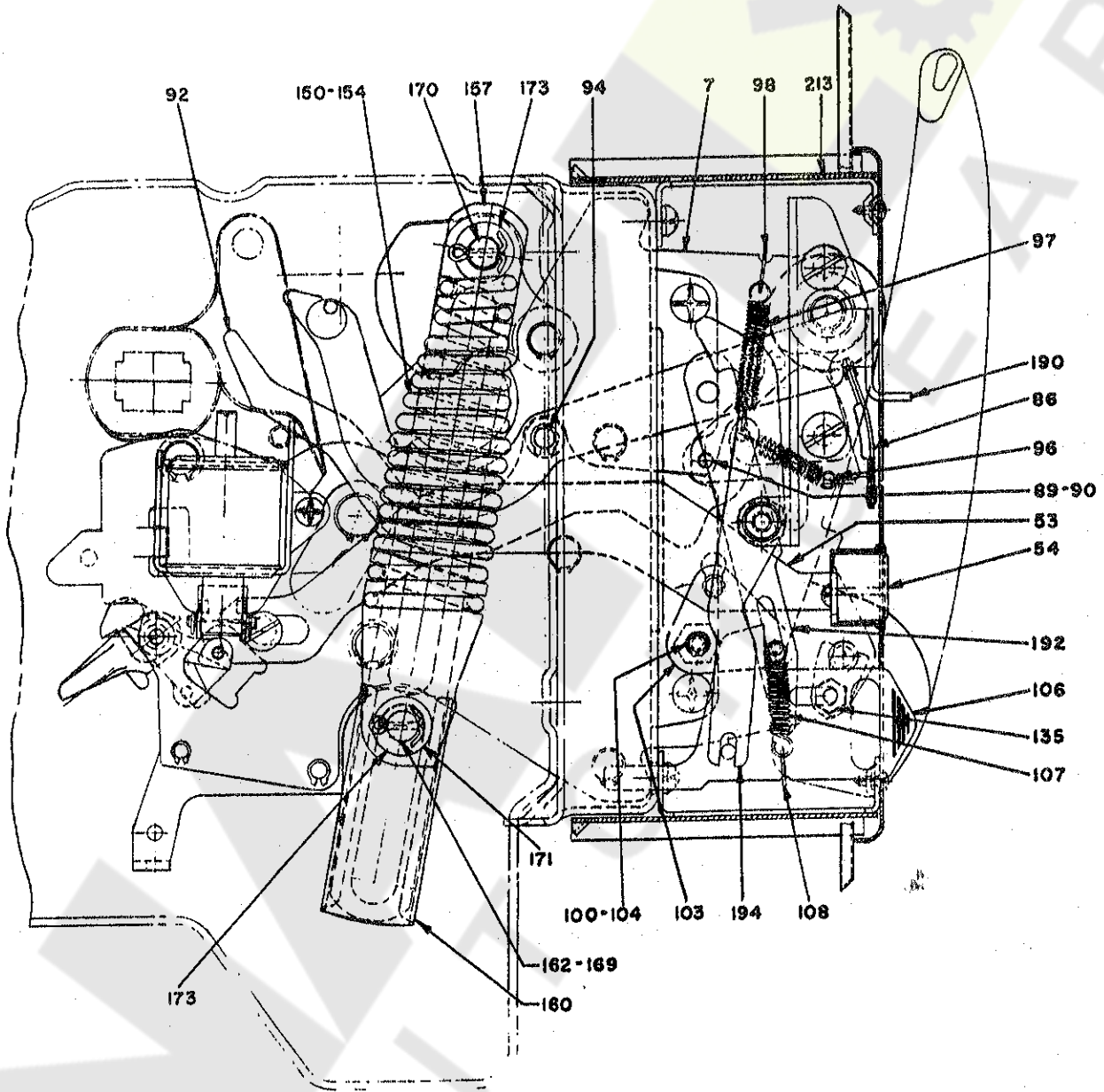


Fig. 2 - Section View of Manually Operated Mechanism Assembly For K225, K600 and K1600 Circuit Breakers.

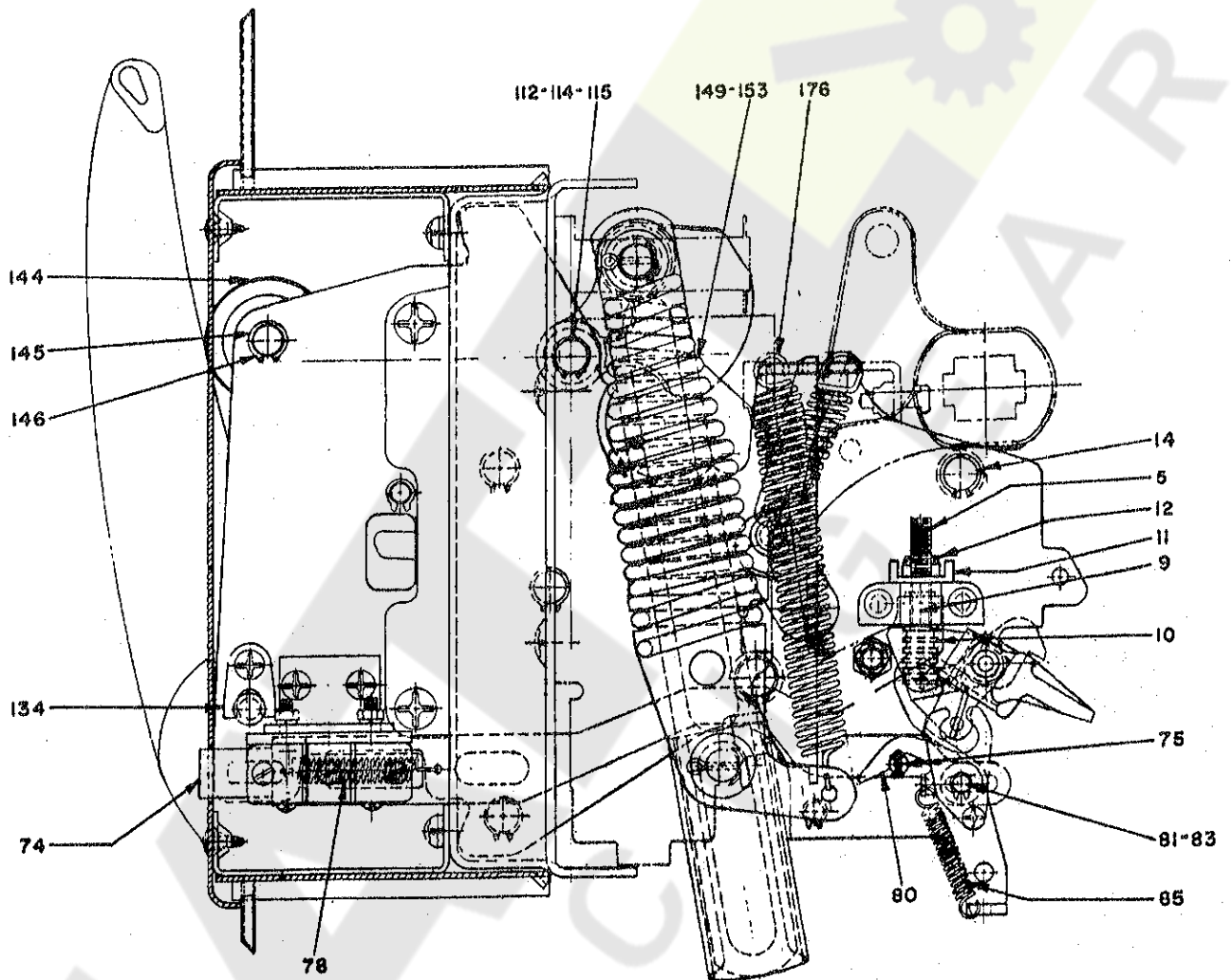


Fig. 3 - Side View of Manually Operated Mechanism Assembly For K225, K600 and K1600 Circuit Breakers.

S-16013

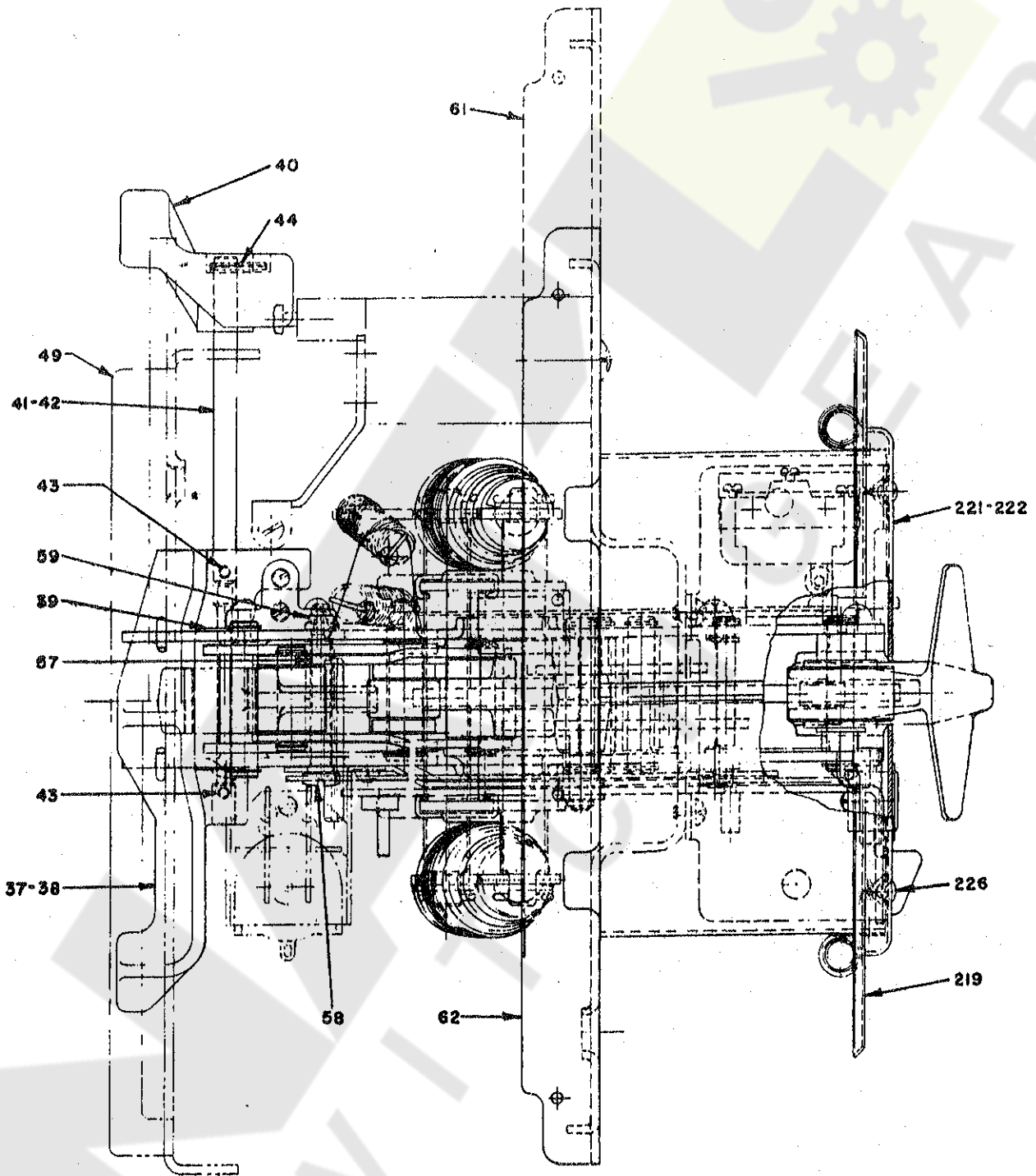


Fig. 4 - Top View of Manually Operated Mechanism Assembly
For K225, K600 and K1600

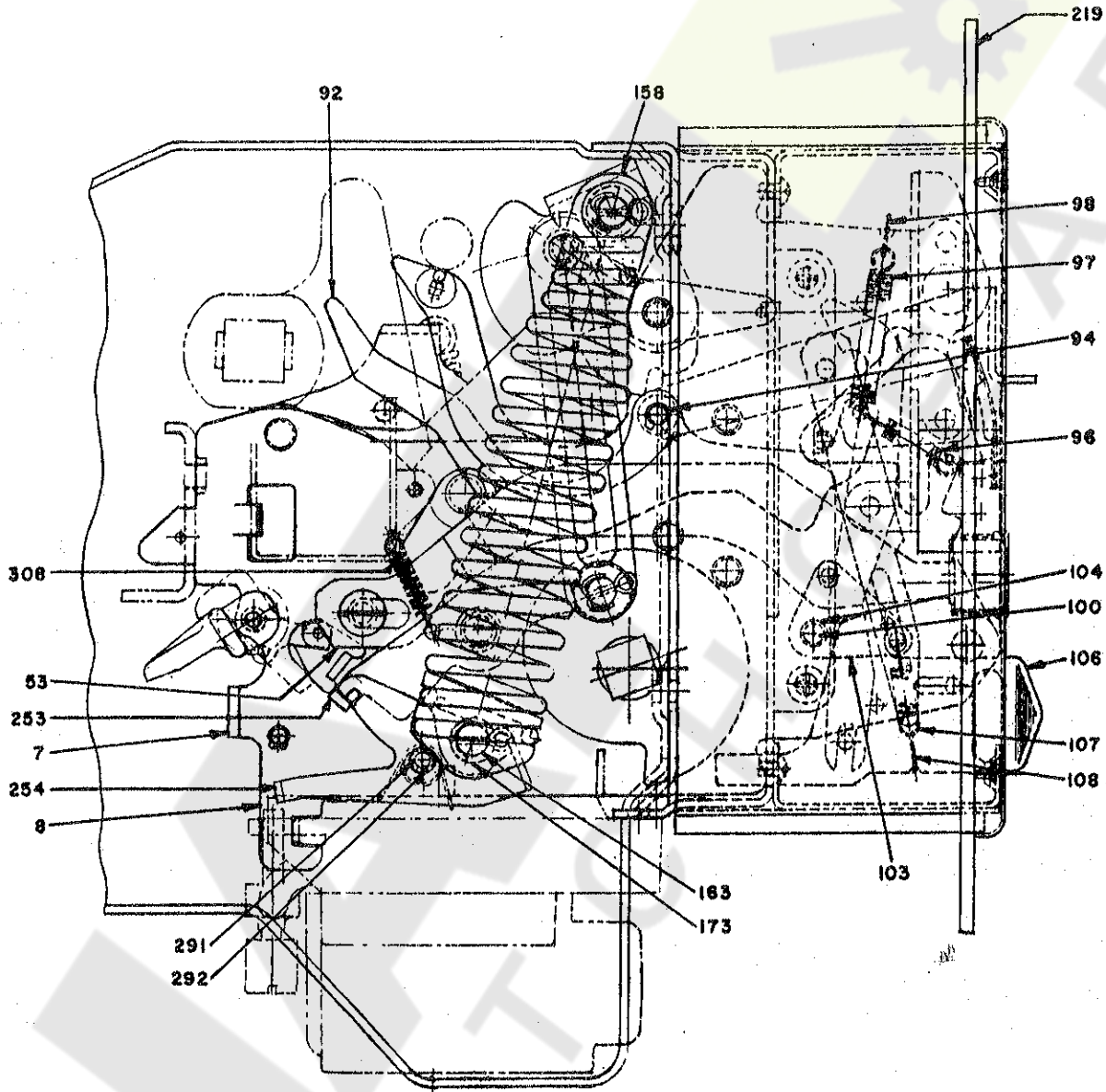


Fig. 6 - Side View of Electrically Operated Mechanism Assembly For K225, K600 and K1600 Circuit Breakers.

S-160 16

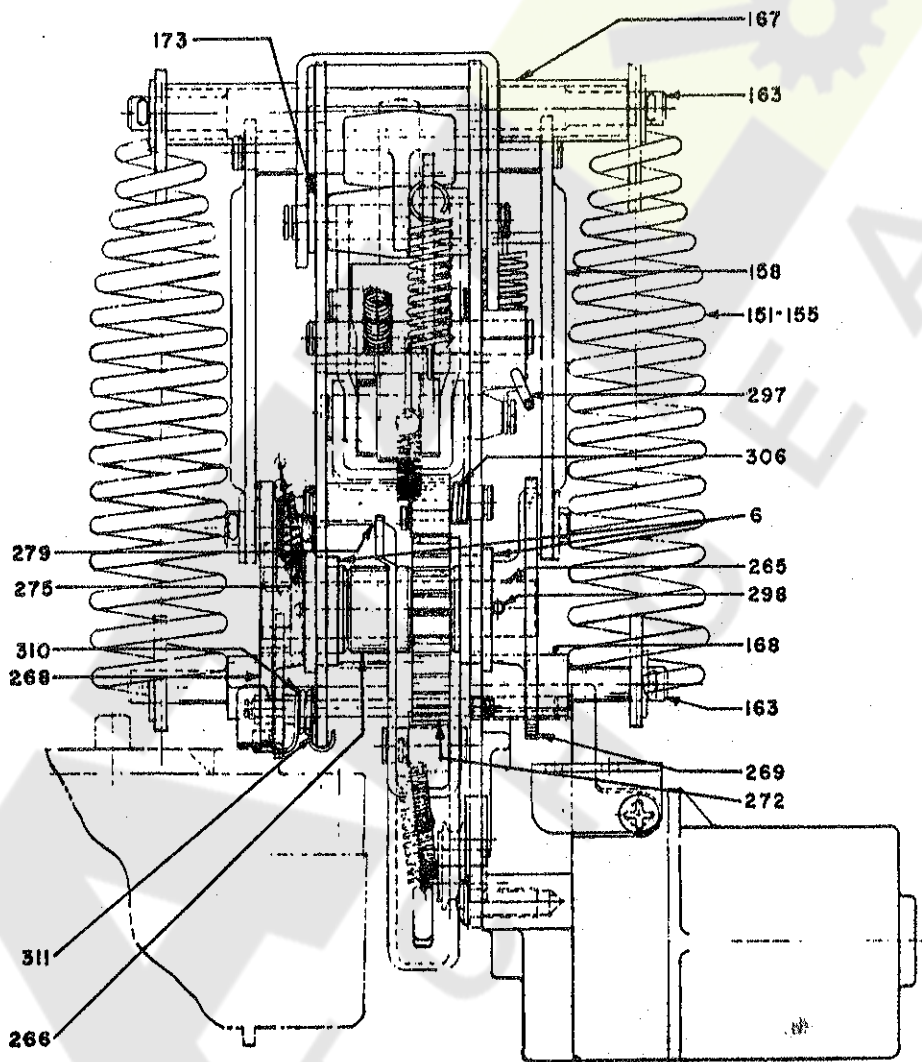


Fig. 7 - Front View of Electrically Operated Mechanism Assembly For K225, K600 and K1600 Circuit Breakers.

S-160 17

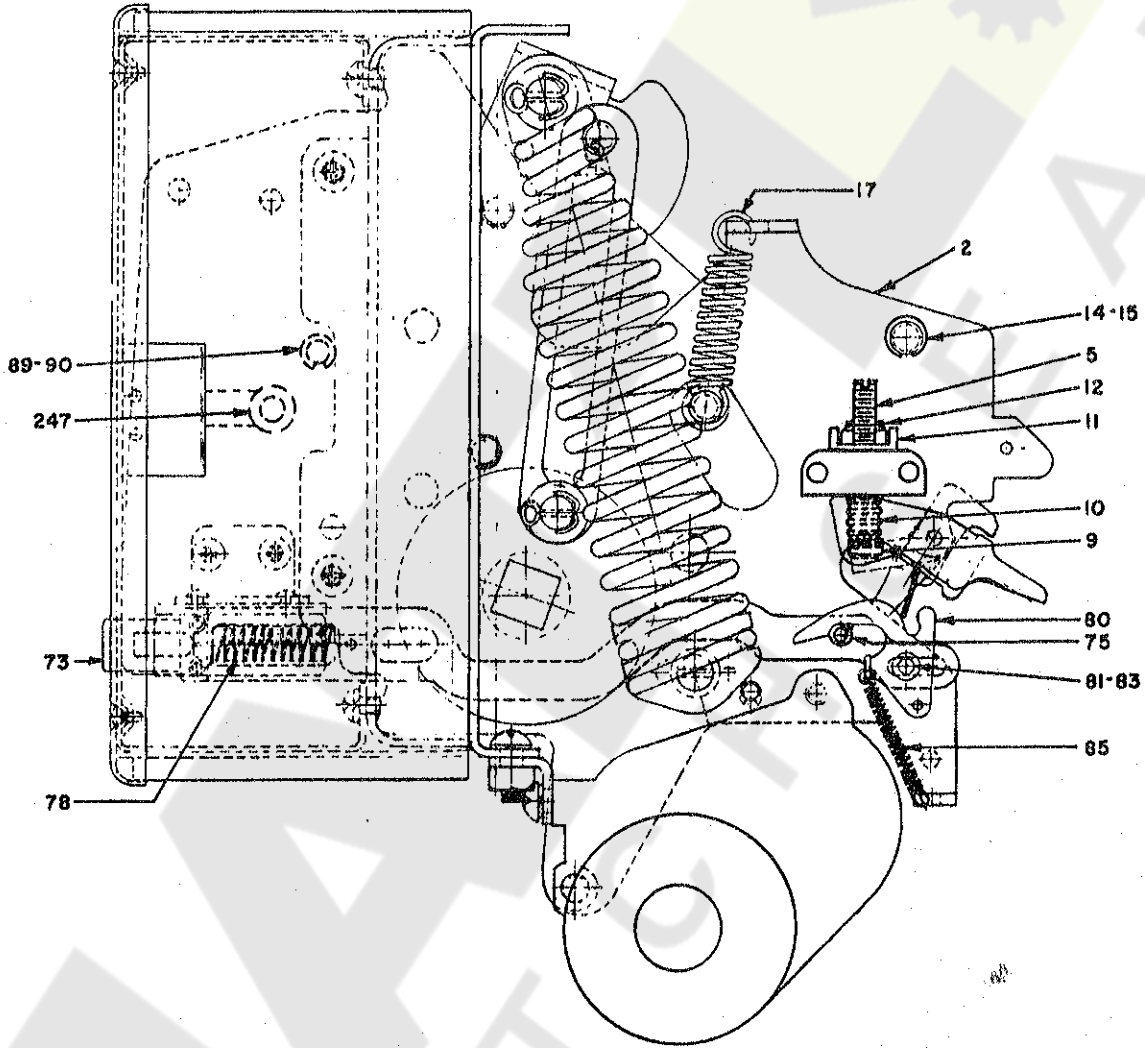


Fig. 8 - Side View of Electrically Operated Mechanism Assembly For K225, K600 and K1600 Circuit Breakers

S-16018

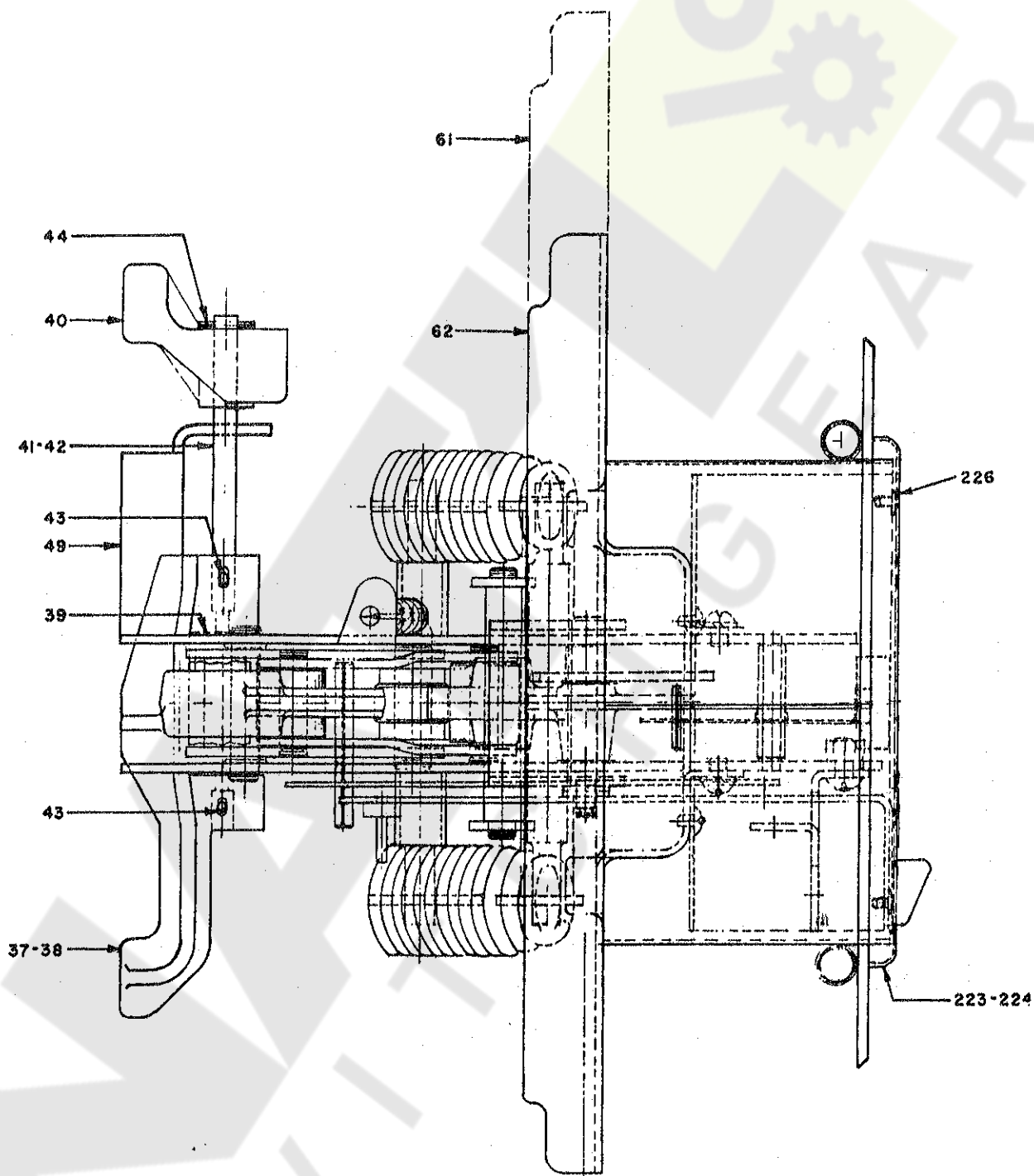


Fig. 9 - Top View of Electrically Operated Mechanism Assembly
For K225, K600 and K1600 Circuit Breakers.

S-160 19

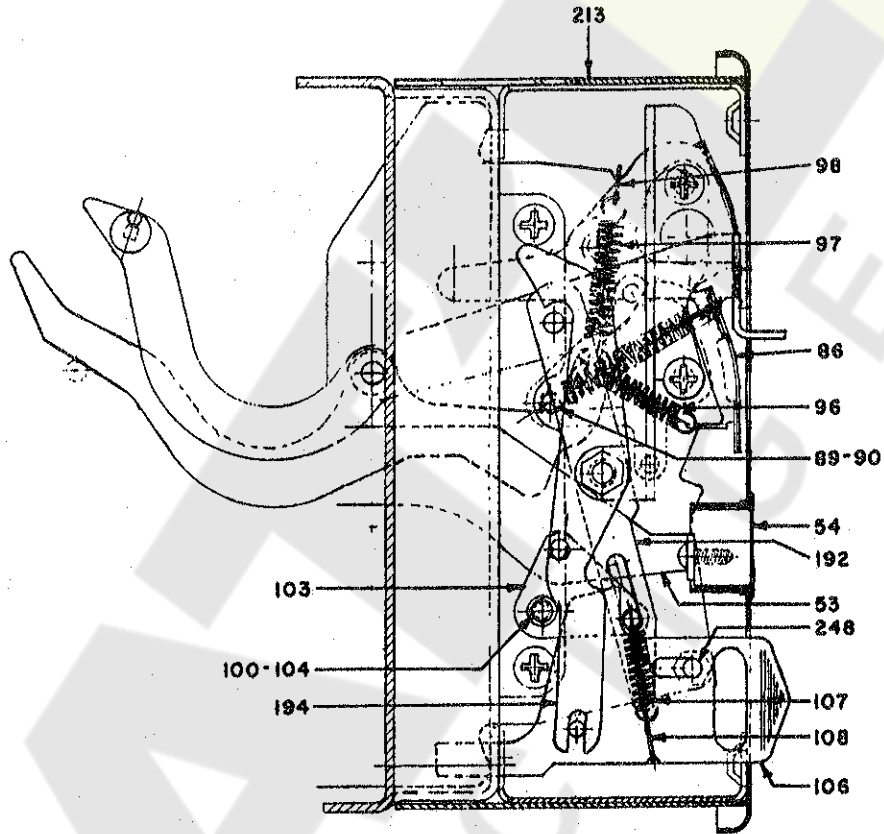


Fig. 10 - Section View of Escutcheon Box Assembly For K225, K600 and K1600 Circuit Breakers.

S-16020

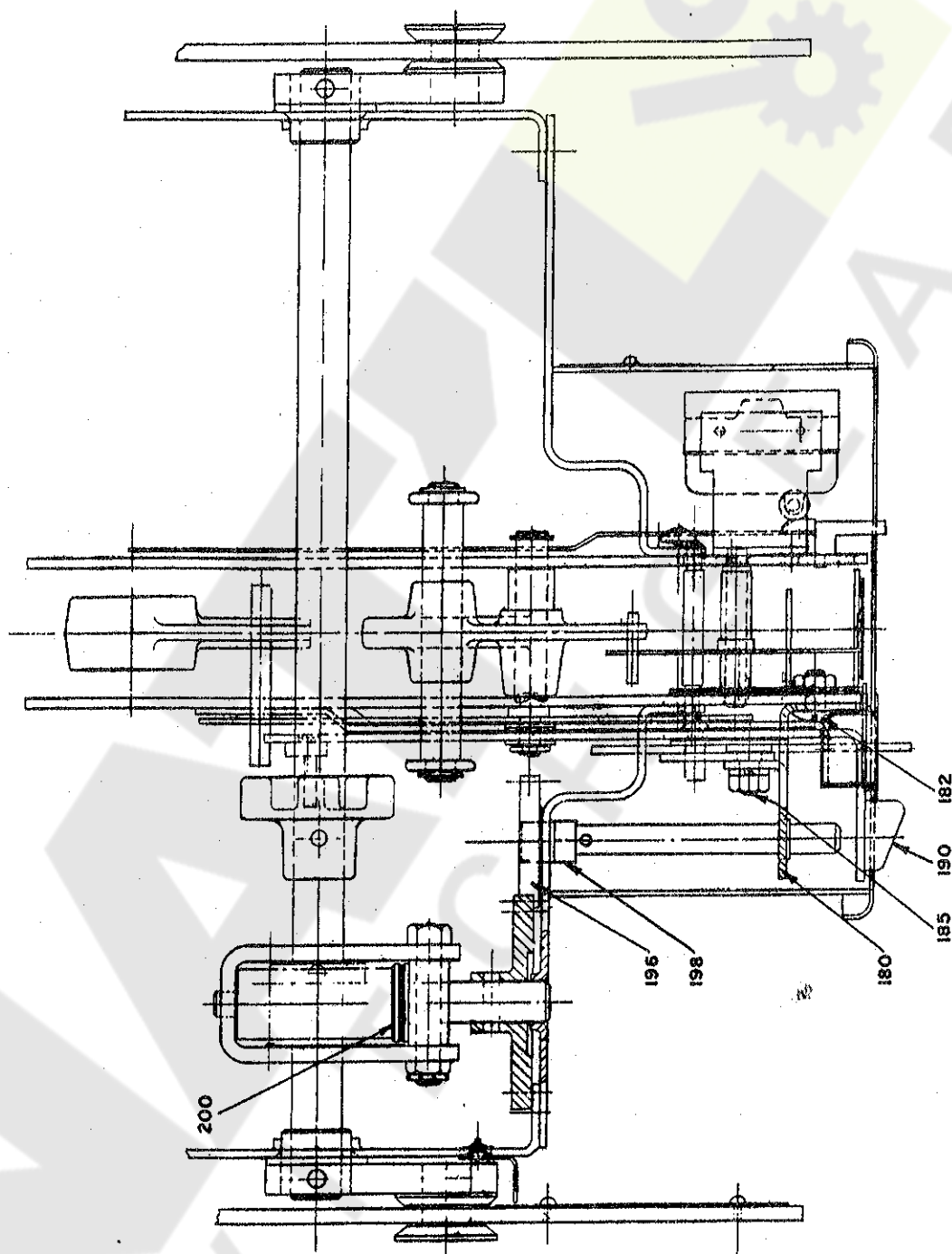


Fig. 11 - Top View of Drawout Mechanism Assembly For K225, K600 and K1600 Circuit Breakers.

S-16021

Consult Our Sales Offices

The I-T-E Circuit Breaker Company is represented in all principal cities of the United States and Canada. These representatives are experienced and are competent to make correct applications, as well as give complete information and prices. We suggest you consult the representative nearest you.



General Offices and Factory:

PHILADELPHIA

1900 Hamilton Street, Phila. 30, Pa.

LOcust 7-1420