



LOW VOLTAGE POWER SWITCHGEAR

RENEWAL PARTS

CONTROL DEVICE ASSEMBLY

FOR

TYPE K-225, K-600, AND K-1600 CIRCUIT BREAKERS

ORDERING INSTRUCTIONS

When ordering, always state type of circuit breaker and service number from the label associated with the assembly.

State the quantity, description, and ordering number of each assembly or part required.

EXAMPLE: To order a latch release coil (110-120 volts, 60 cycle) for a type K-600 circuit breaker, specify the following:

For a type K-600 circuit breaker
Service Number 703143-K4-R7

Quantity 1 Coil, Latch Release (110-120 Volts, 60 Cycle) 702250-A3

NOTE: This bulletin does not list standard hardware (screws, nuts, lockwashers, etc.). It is recommended that standard hardware be purchased locally.

I-T-E CIRCUIT BREAKER COMPANY

• PHILADELPHIA 30, PENNSYLVANIA



Control Device Assembly (Fig. 1)

FIG. REF.	DESCRIPTION OF ASSEMBLY OR PART	ORDERING NUMBER (COMPONENTS INDENTED)	QUANTITY PER ELECTRICALLY OPERATED CIRCUIT BREAKER			
			AC VOLTS		DC VOLTS	
			110 120	208 240	125	250
1A	Control Device Assembly	703143-K4	1			
1B	Control Device Assembly	703143-K5		1		
1C	Control Device Assembly	703143-K6			1	
1D	Control Device Assembly	703143-K7				1
2	Pin (Also in Ref. 24)	50103-D26	2	2	2	2
3	Housing, Upper	703163-A	1	1	1	1
4	Jumper, Stationary Contact	650453-J	2	2	2	2
5	Trip Rod	701550-A	1	1	1	1
6	Trip Lever Assembly	704042-K1	1	1	1	1
7	Pin (Also Thru Ref. 27)	50166-A25	2	2	2	2
8	Pin	650033-G	1	1	1	1
9	Magnet Assembly	702894-K1	3	3	4	4
9A	Magnet Assembly (AC Lockout Relay Only)	702894-K2	1	1	-	-
10	Actuator, Limit Switch	703002-A	1	1	1	1
11	Spring, Operating	650216-A8	1	1	1	1
12	Lever, Emergency Close	702897-A	1	1	1	1
13	Spring, Calibration	650201-A29	2	2	4	4
13A	Spring, Calibration (AC Lockout Relay Only)	650201-A32	2	2	-	-
14A	Coil, Latch Release (110-120 Volts, 60 Cycle)	702250-A3	1			
14B	Coil, Latch Release (208-240 Volts, 60 Cycle)	702250-A9		1		
14C	Coil, Latch Release (125 Volts DC)	702250-A6			1	
14D	Coil, Latch Release (250 Volts DC)	702250-A7				1
15	Plate, Coil Retaining	701551-A	1	1	1	1
16	Housing, Lower	703164-A	1	1	1	1
17	Jumper, Terminal Block	702158-A	1	1	1	1
18	Connector, Terminal Block	702895-A	7	7	7	7
19A	Coil, Lockout (110-120 Volts, 60 Cycle)	702250-A5	1			
19B	Coil, Lockout (208-240 Volts, 60 Cycle)	702250-A6		1		
19C	Coil, Lockout (125 Volts DC)	702250-A1			1	
19D	Coil, Lockout (250 Volts DC)	702250-A2				1
20	Shim, Magnet	703421-A	-	-	1	1
21	Crank, Limit Switch	702898-A	1	1	1	1
22	Spring, Movable Contact	702338-B	5	5	5	5
*23	Ball, Steel (Inside Ref. 22)	703956-A	5	5	5	5
24	Contact Carrier, Limit Switch	703166-A	1	1	1	1
25	Contact Assembly, Movable	703004-K1	5	5	5	5
26	Contact Assembly, Stationary (Normally Closed)	701547-K1	6	6	6	6
27	Contact Assembly, Stationary (Normally Open)	701546-K1	4	4	4	4
28	Contact Carrier, Lockout Relay	703165-A	1	1	1	1
29A	Spring, Trip Rod	650201-A31	-	-	1	1
29B	Spring, Trip Rod	50404-C70	1	1	-	-
*30	Spring, Overtravel (Between Ref. 2 in 24, and 20)	650220-A5	1	1	1	1

* Not Illustrated

FOR PRICES AND TECHNICAL INFORMATION,
REFER TO THE NEAREST OFFICE OF I-T-E CIRCUIT BREAKER COMPANY.

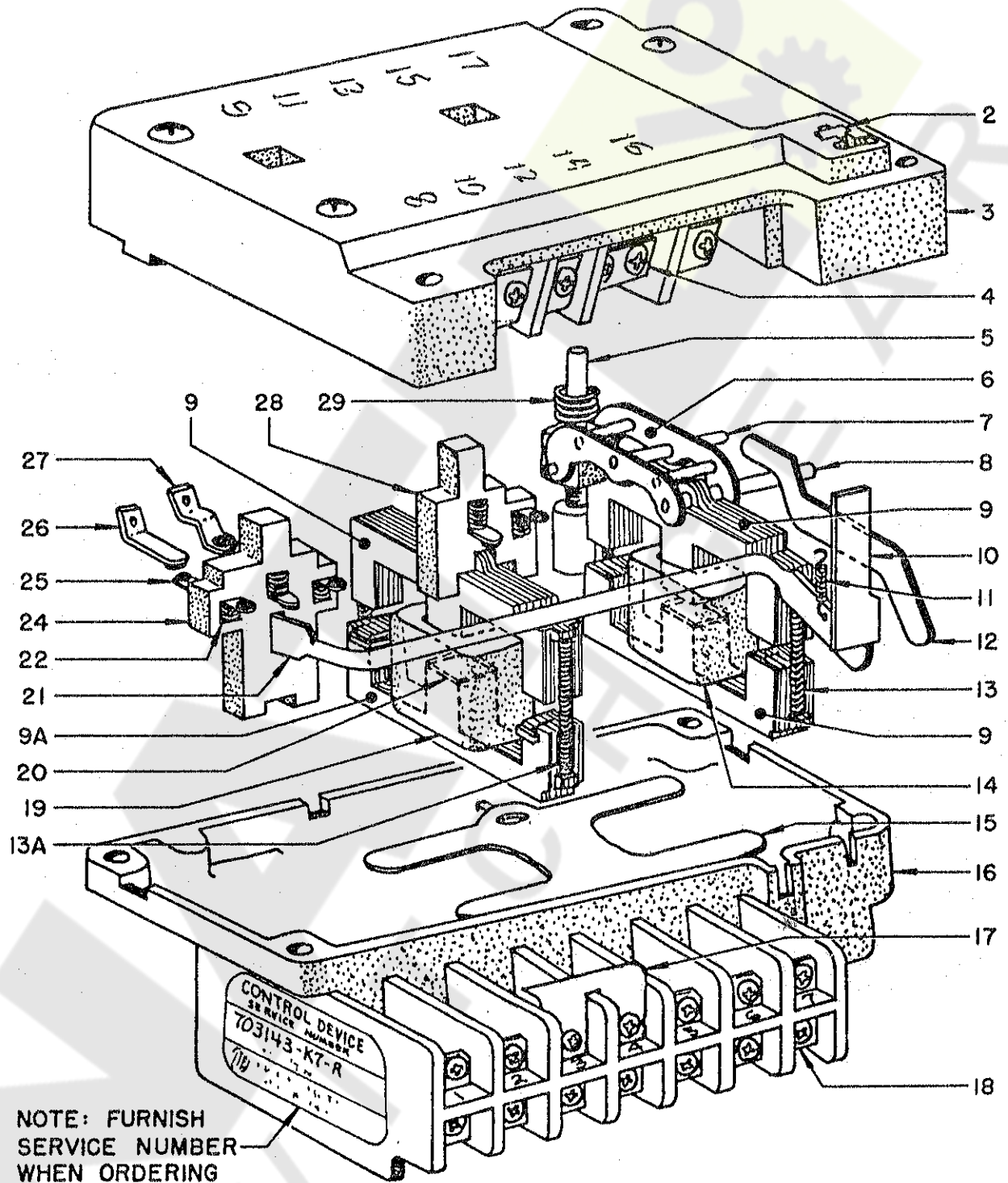


Fig. 1 - Control Device Assembly (Fig. Ref. 1)

S-14732