



LOW VOLTAGE POWER SWITCHGEAR

RENEWAL PARTS

MOTOR ASSEMBLY WITH MOUNTING

FOR

TYPE K-225, K-600, AND K-1600 CIRCUIT BREAKERS

ORDERING INSTRUCTIONS

When ordering, always state type of circuit breaker and service number from the label associated with the assembly.

State the quantity, description, and ordering number of each assembly or part required.

EXAMPLE: To order a motor assembly (110-120 volts, 60 cycles) refer to service sticker on control device for a type K-600 circuit breaker, specify the following:

For a type K-600 circuit breaker
Service Number 703143-K4-R7

Quantity 1 Motor assembly (110-120 volts, 60 cycles) 702199-A

NOTE: This bulletin does not list standard hardware (screws, nuts, lockwashers, etc.). It is recommended that standard hardware be purchased locally.

I-T-E CIRCUIT BREAKER COMPANY

PHILADELPHIA 30, PENNSYLVANIA

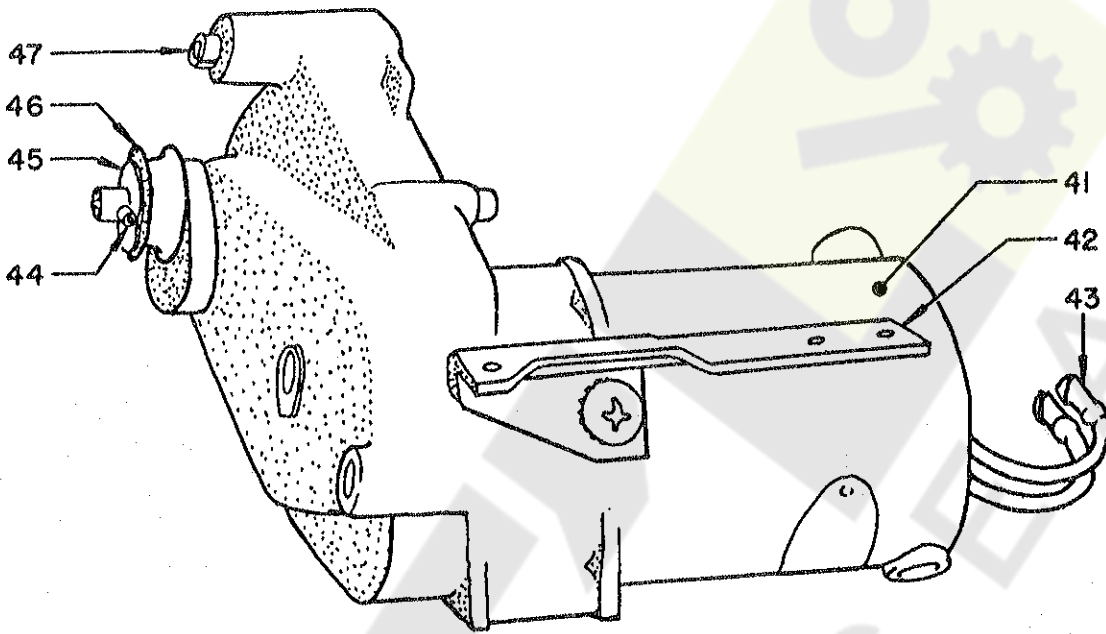


Fig. 2 - Motor Assembly with Mounting (Fig. Ref. 40)

FIG. REF.	DESCRIPTION OF ASSEMBLY OR PART	ORDERING NUMBER (COMPONENTS INDENTED)	QUANTITY PER ELECTRICALLY OPERATED CIRCUIT BREAKER			
			AC VOLTS		DC VOLTS	
			110 120	208 240	125	250
40A	Motor Assembly with Mounting	703144-K1	1		1	
40B	Motor Assembly with Mounting	703144-K2		1		1
41A	Motor Assembly	702199-A	1		1	
41B	Motor Assembly	702199-C		1		1
42	Bracket, Mounting	703095-A	1	1	1	1
43	Wire Lug, Knife Disconnect	703418-A	2 th	2	2	2
44	Roll Pin, (1/8 x 7/8 Lg.)	177356-D	1 th	1	1	1
45	Washer	50702-B97	1	1	1	1
46	Drive Roller	702196-A	1	1	1	1
47	Roll Pin (1/4 x 1 Lg.)	177356-A	1	1	1	1
*48	# Tubing, Insulating	650311-A	2	2	2	2

* Not Illustrated
Not Part of 703144

FOR PRICES AND TECHNICAL INFORMATION,
REFER TO THE NEAREST OFFICE OF L-T-E CIRCUIT BREAKER COMPANY.