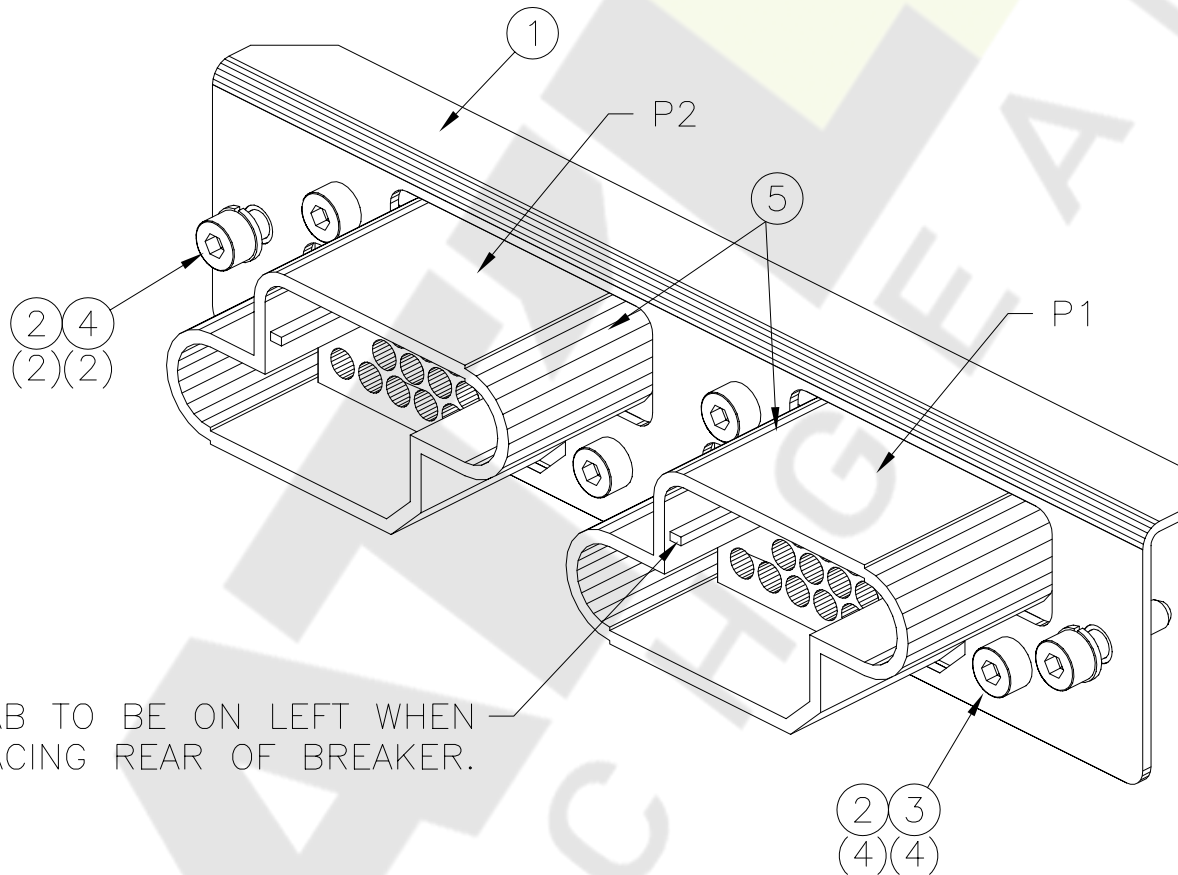


BY		REVISION DESCRIPTION	DATE	REV	BY
					MKJ
REV	DATE	REVISION DESCRIPTION			
1	5-7-03	[6369] +L5.			

G00 QTY	ITEM	PART No.	DESCRIPTION
1	1	18058-G00	SEC. PLATE ASSY (2)
4	2	16905-P00	SHCS M4x.7/16
2	3	16960-P00	NILN M4x.7
2	4	16972-P00	LOCKWASHER M4
1	5	18086-G00	OPTIONAL WIRE BUNDLE



G00 OPTIONAL BOM WIRING (EU)

DIMENSIONS ARE IN MILLIMETERS

DIMENSIONS IN MILLIMETERS							
GENERAL TOLERANCE UNLESS OTHERWISE SPECIFIED THE FOLLOWING TOLERANCES ARE APPLICABLE							
LINEAR	OVER TO	0.5	8	30	120	315	1000
		6	10	50	120	1000	2000
TOL	±	0.1	0.2	0.3	0.5	0.8	1.2

ANGULAR				
LENGTH (SHORT)	OVER TO	0	10	50
		10	50	120
TOL	±	1'	0'30"	0'20"

REF	ADVAC (EU)	REV	1	TITLE	OPTIONAL BOM WIRING
DATE DRN	4-4-03	DATE REL	4/4/03	DWG NO.	18091
DRN	MKJ	CKD	PRT	APP'D	PRT
THIS DRAWING IS THE PROPERTY OF ABB AND CONTAINS PROPRIETARY AND CONFIDENTIAL INFORMATION WHICH MUST NOT BE DUPLICATED USED OR DISCLOSED OTHER THAN AS EXPRESSLY AUTHORIZED BY ABB.					
ABB			ABB Inc. FLORENCE, S.C., U.S.A.		
ECN No.	6360				