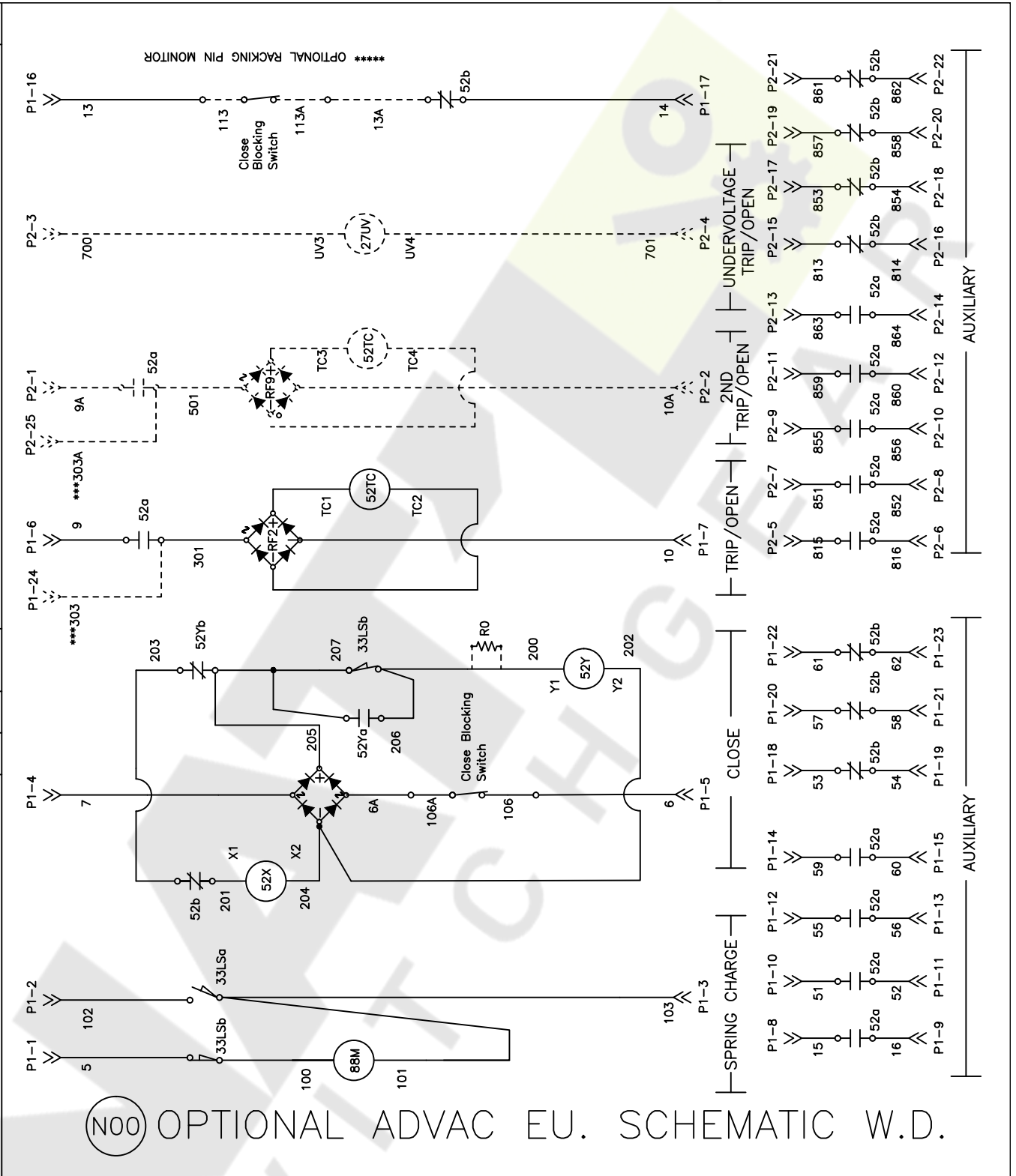


REV	DATE	BY	REVISION DESCRIPTION
1	4/29/03	PRT	[6369] + optional and second trip coil monitor wires.
2	11/04/04	RET	[6572] + close blocking switch, opt Pin Monitor
3	09/19/05	RET	[8002] + Secondary Disconnect Identifiers, 503 now 303A



(NO) OPTIONAL ADVAC EU. SCHEMATIC W.D.

*** OPTIONAL TRIP COIL MONITOR WIRE. WIRE MUST BE TAKEN TO AVOID FULL VOLTAGE/CURRENT TO TRIP COIL LONGER THAN PULSE DURATION.

STANDARD TOLERANCE INFORMATION ON DRAWING No. 52016

DIMENSIONS ARE IN INCHES

TOLERANCES - UNLESS OTHERWISE SPECIFIED:

3-PLACE DECIMAL ± _____

2-PLACE DECIMAL ± _____

ANGLES ± _____

REF	ADVAC EU.
REV	5
TITLE	OPTIONAL SCHEMATIC W.D.
DATE DRN	3/15/03
DATE REL	4/4/03
DWG NO.	18084
DRN	GRC
CKD	PRT
APP'D	PRT
ECN No.	6360

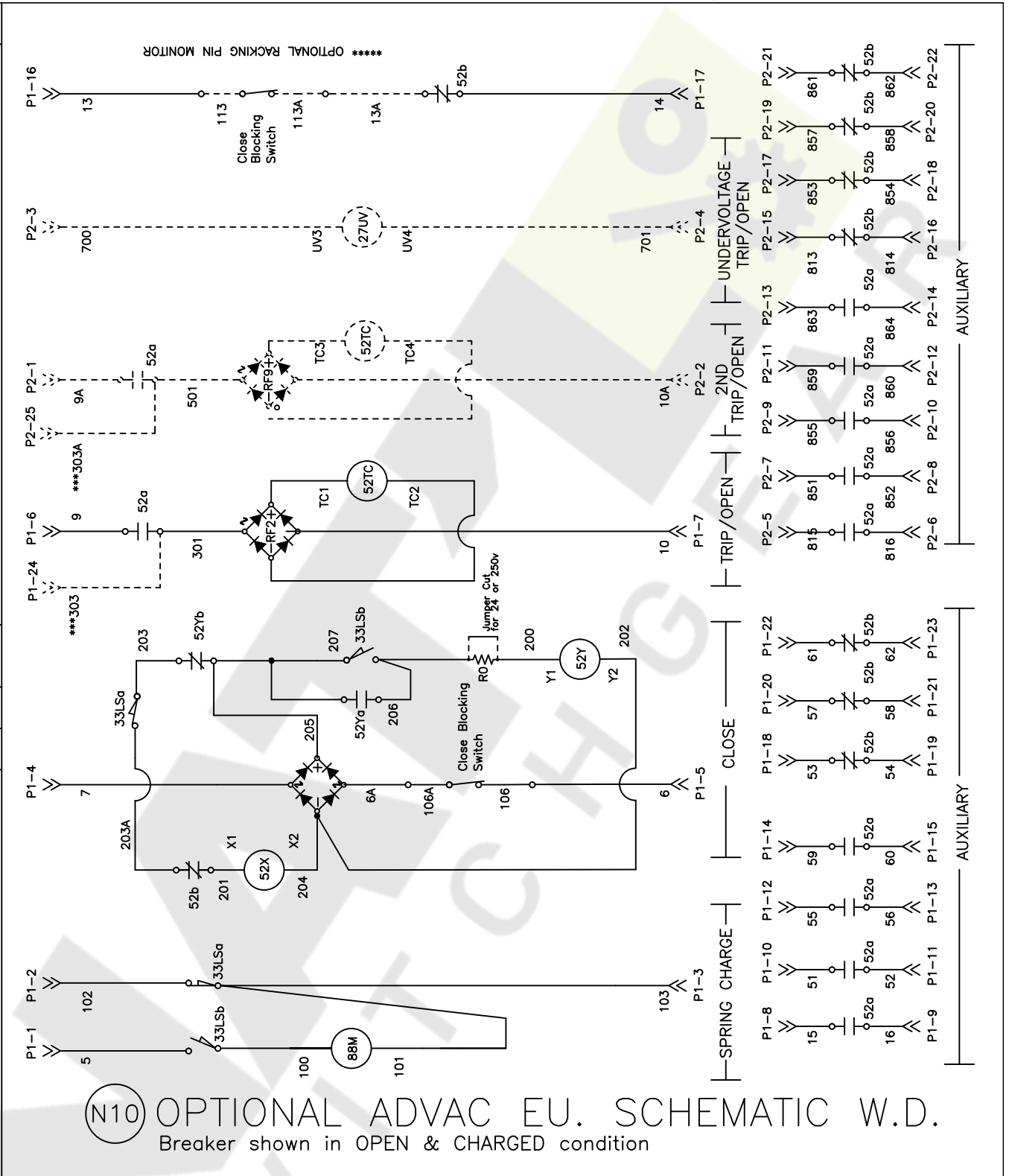
THIS DRAWING IS THE PROPERTY OF ABB AND CONTAINS PROPRIETARY AND CONFIDENTIAL INFORMATION WHICH MUST NOT BE DUPLICATED USED OR DISCLOSED OTHER THAN AS EXPRESSLY AUTHORIZED BY ABB.

ABB

ABB Inc.
FLORENCE, S.C., U.S.A.

SHEET 1 OF 2

REV	DATE	BY	REVISION DESCRIPTION
1	4/29/03	PRT	[6369] + optional and second trip coil monitor wires.
2	11/04/04	RET	[6572] + close blocking switch, opt Pin Monitor
3	09/19/05	RET	[8002] + Secondary Disconnect Identifiers, 503 now 303A



*** OPTIONAL TRIP COIL MONITOR WIRE. CARE MUST BE TAKEN TO AVOID FULL VOLTAGE/CURRENT TO TRIP COIL LONGER THAN PULSE DURATION.

STANDARD TOLERANCE INFORMATION ON DRAWING No. 52016

DIMENSIONS ARE IN INCHES

TOLERANCES - UNLESS OTHERWISE SPECIFIED:

3-PLACE DECIMAL ± _____

2-PLACE DECIMAL ± _____

ANGLES ± _____

REF	ADVAC EU.
CREATED FROM	18020
NEXT ASSY	
NEXT ASSY	
ECN No.	6360

REV	4	TITLE	OPTIONAL SCHEMATIC W.D.
DATE DRN	3/15/03	DATE REL	4/4/03
DRN	GRC	CKD	PRT
APP'D	PRT	DWG NO.	18084
THIS DRAWING IS THE PROPERTY OF ABB AND CONTAINS PROPRIETARY AND CONFIDENTIAL INFORMATION WHICH MUST NOT BE DUPLICATED USED OR DISCLOSED OTHER THAN AS EXPRESSLY AUTHORIZED BY ABB.			SHEET 2 OF 2
ABB		ABB Inc. FLORENCE, S.C., U.S.A.	