

PIN #	WIRE LOCATION	FUNCTION
1	5	+ CTRL. PWR.
2	102	Spring Monitor
3	103	- CTRL. PWR.
4	7	CLOSE
5	6	CLOSE
6	9	+ TRIP
7	10	- TRIP
8	15	+ a1
9	16	- a1
10	51	+ a2
11	52	- a2
12	55	+ a3
13	56	- a3
14	59	+ a4
15	60	- a4
16	13	+ b1
17	14	- b1
18	53	+ b2
19	54	- b2
20	57	+ b3
21	58	- b3
22	61	+ b4
23	62	- b4
24	303	trip coil mon.
25	OPEN	

Plug 1 - P1

Xref C:\ADVAC\SEC BLOCK.dwg

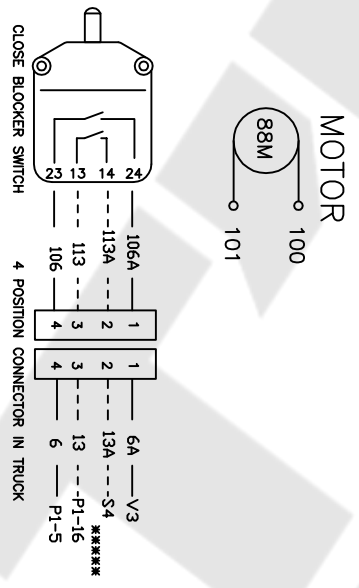
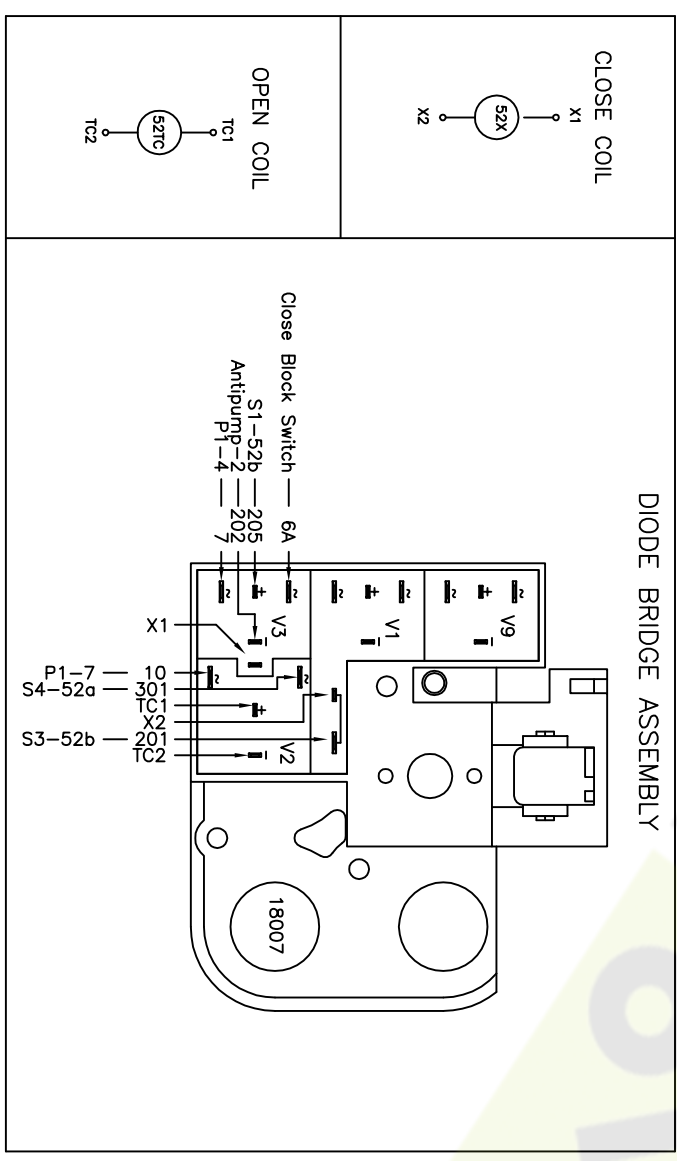
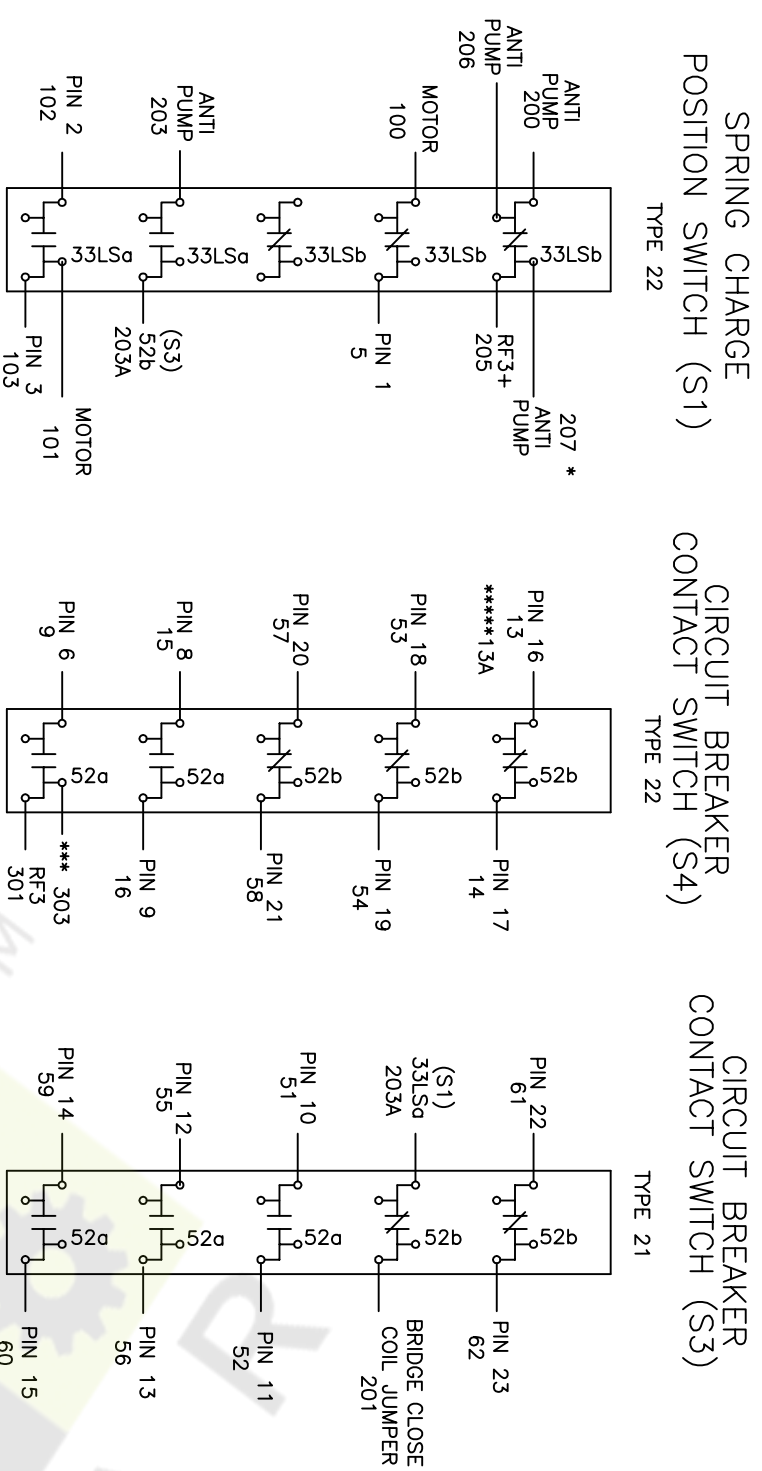
DIMENSIONS ARE IN MILLIMETERS

REV	TITLE	DATE DRN	DATE REL	DWG NO.	SHEET
4	STANDARD ADVAC EU POINT TO POINT W.D.	12/19/02		18082	2 of 2

THIS DRAWING IS THE PROPERTY OF ABB AND CONTAINS PROPRIETARY AND CONFIDENTIAL INFORMATION WHICH MUST NOT BE DUPLICATED USED OR DISCLOSED OTHER THAN AS EXPRESSLY AUTHORIZED BY ABB.



ABB Inc.  
FLORENCE, S.C., U.S.A.



\*\*\* OPTIONAL TRIP COIL MONITOR WIRE. CARE MUST BE TAKEN TO AVOID FULL VOLTAGE/CURRENT TO TRIP COIL LONGER THAN PULSE DURATION.

F10 STANDARD ADVAC EU. POINT TO POINT W.D.

REV	DATE	REVISION DESCRIPTION	BY	REV	DATE	REVISION DESCRIPTION
1	11/04/04	[6572] + Close Block Sw, rectifier/antipump	RET			
2	09/19/05	[8002] + wire 303 on P1-24 & S4, MONITOR now Spring Monitor on P1-2	RET			
3	09/19/05	[8401] + sheet 2, +33LSb	RET			
4	09/25/08	CORRECTED SECONDARY RECEPTACLE DETAIL	JLH			

DIMENSIONS IN MILLIMETERS	
GENERAL TOLERANCE UNLESS OTHERWISE SPECIFIED THE FOLLOWING TOLERANCES ARE APPLICABLE	
LINEAR	OVER 0.5 6 30 120 315 1000 2000
TOL.	± 0.1 0.2 0.3 0.5 0.8 1.2
ANGULAR	0 10 50 120 400
LENGTH OVER (Ø)	0 10 50 120 400
TOL.	± 0.1 0.2 0.3 0.5 0.8 1.2

REF ADVAC EU	ECN No. 6360
CREATED FROM 18011	
NEXT ASSY	
NEXT ASSY	

A B C D

A B C D