



SWITCHGEAR

RENEWAL PARTS ORDERING GUIDE

TYPES LA-3000 and LA-4000F

**AIR CIRCUIT BREAKER
WITH
MANUAL OR ELECTRICAL
OPERATORS**

Supplement to 18X4583-02

18X4560-02
December, 1975

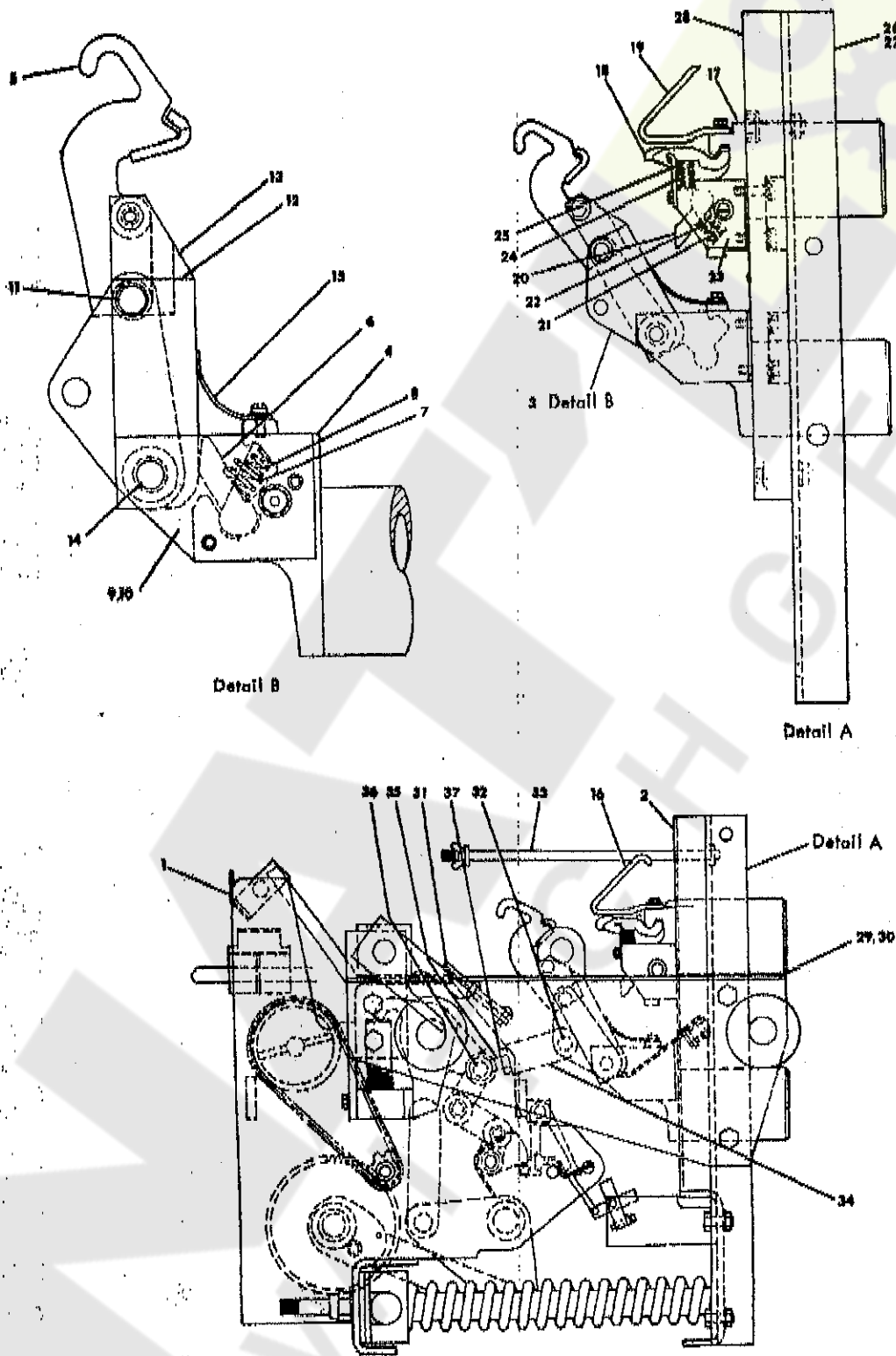


Figure 2. Operator Mechanism and Panel Assembly

ITEM	DESCRIPTION	PART NUMBER	USAGE	ITEM	DESCRIPTION	PART NUMBER	USAGE
1	Operator Mechanism	18-664-478-501	A		Contact Assy., Upper	18-657-364-566	C
	Operator Mechanism	18-384-460-501	BC		(Includes items 17 thru 25)		
2	Contact & Base	18-657-349-550	A	17	Contact Block	71-141-095-501	A
	Contact & Base	18-657-358-502	B		Contact Block	71-141-480-501	B
	Contact & Base	18-657-364-566	C		Contact Block	71-240-826-501	C
	(Includes items 4 thru 25)			18	Arcoing Contact Assy.	71-141-172-501	A
3	Contact Assy., Lower	18-657-349-550	A		Arcoing Contact Assy.	71-141-172-502	BC
	Contact Assy., Lower	18-657-358-504	BC	19	Arc Runner	71-240-486-001	
	(Includes items 4 thru 15)			20	Main Contact Finger	71-140-016-001	A
4	Contact Block, Lower	71-141-095-502	A		Main Contact Finger	71-141-489-501	BC
	Contact Block, Lower	71-141-480-502	BC	21	Contact Finger Spring	71-140-019-001	
5	Arcoing Contact Assy.	71-141-115-501	A	22	Contact Finger Spring	71-140-131-001	
	Arcoing Contact Assy.	71-141-115-502	BC	23	Side Plate	71-140-787-001	
6	Main Contact Finger	71-140-016-001		24	Compression Spring	71-141-174-001	
7	Contact Finger Spring	71-140-019-001		25	Compression Spring	71-141-173-001	
8	Contact Finger Spring	71-140-131-001		26	Angle L. H.	71-340-241-001	AB
9	Support, L. H.	71-141-093-001			Angle L. H.	71-340-241-003	C
10	Support, R. H.	71-141-093-002		27	Angle R. H.	71-340-241-002	AB
11	Pin	71-141-281-004	A		Angle R. H.	71-340-241-004	C
	Pin	71-141-496-001	BC	28	Base	71-340-240-001	A
12	Contact Bar	71-141-100-001	A		Base	71-340-300-001	B
	Contact Bar	71-141-495-501	BC		Base	71-340-320-001	C
13	Contact Bar	71-141-101-001	A	29	Side Plate R. H.	18-723-570-503	
	Contact Bar	71-141-495-502	BC	30	Side Plate L. H.	18-723-570-502	
14	Shaft	71-141-151-001	A	31	Barrier	71-141-241-001	A
	Shaft	71-141-151-003	BC		Barrier	71-141-480-001	B
15	Shield	71-141-164-001	A		Barrier	71-141-486-001	C
	Shield	71-141-164-003	BC	32	Pin	71-141-281-001	
16	Contact Assy., Upper	18-657-349-563	A	33	Rod	71-166-194-028	
	Contact Assy., Upper	18-657-358-503	B	34	Rod	18-667-463-171	
				35	Rod End	18-667-463-172	
				36	Pin	71-141-281-003	
				37	Nut	00-631-171-208	

Figure 2. Operator Mechanism and Panel Assembly

ITEM	DESCRIPTION	PART NUMBER	USAGE	ITEM	DESCRIPTION	PART NUMBER	USAGE
1	Frame Assy.	71-240-436-503	A	32	Trip Lever	71-142-341-001	
	Frame Assy.	71-240-436-504	BC	33	Spring	71-141-311-001	
2	Link	71-141-140-002		34	Bumper	71-141-142-001	
3	Crank Assy.	71-141-208-501		35	Block	71-142-321-001	
4	Pin	71-100-814-004		36	Compression Spring	00-837-321-043	
5	Link	71-141-214-001		37	Shim	71-141-343-001	
6	Ratchet Assy.	72-140-255-501		38	Shaft	71-141-186-002	
7	Block	71-141-332-001		39	Crank	71-141-185-001	
8	Bumper	71-141-329-001		40	Pipe	71-105-260-011	
9	Spring	71-141-231-001		41	Crank	72-140-206-001	
10	Pin	71-240-127-013		42	Washer	18-657-461-255	A
11	Shaft	71-142-308-001		43	Spring	72-140-205-001	
12	Crank	71-340-245-002		44	Stud	15-171-048-001	
13	Pin	71-141-231-003		45	Lever	72-140-204-001	
14	Racking Screw Assy.	18-657-510-576		46	Tube	72-140-207-001	
15	Bearing	71-141-669-001		47	Rod	72-140-246-001	
16	Shaft	71-240-429-001		48	Yoke End Adj.	00-691-701-902	
17	Shaft	71-141-183-001		49	Lever	72-140-203-001	
18	Block	71-142-319-001		50	Shaft	72-140-209-001	
19	Spring	71-141-369-001		51	Eye End	72-140-247-001	
20	Channel Assy.	71-141-098-503	A	52	Clevis Pin	00-957-211-902	
	Channel Assy.	71-141-098-504	BC	53	Stud	15-171-048-002	A
21	Bumper	71-141-180-001		54	Sealed Actuator	72-240-002-001	
22	Latch	71-141-663-002		55	Arm	71-142-400-001	
23	Spacer	71-141-664-001		56	Arm Assy.	71-142-399-501	
24	Spring	71-141-666-001		57	Bracket	71-142-384-001	
25	Spring	71-142-049-001		58	Arm	71-142-167-001	
26	Pin	71-142-393-001		59	Decal	72-140-002-001	
27	Compression Spring	71-204-605-009		60	Limit Switch Assy.	18-657-349-552	
28	Angle	71-141-216-002		61	Ground Bar	71-141-926-001	
29	Angle	71-141-216-003		62	Switch, SPST	00-871-623-008	
30	Angle	71-141-216-004		63	Channel	71-142-430-001	
31	Trip Rod	71-141-518-002		64	Switch	00-871-623-004	
				65	Roll Pin	00-871-176-387	

Figure 3. Operating Mechanism - Externally Mounted Parts

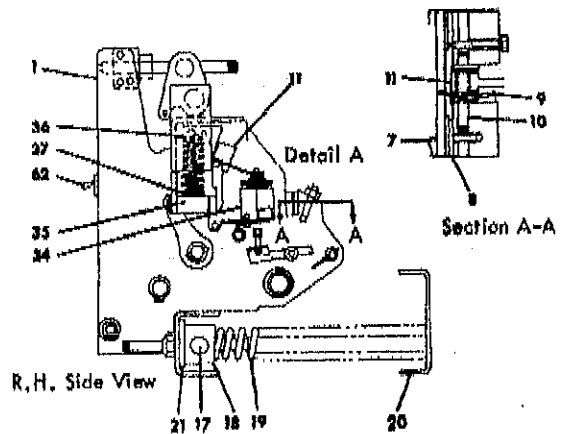
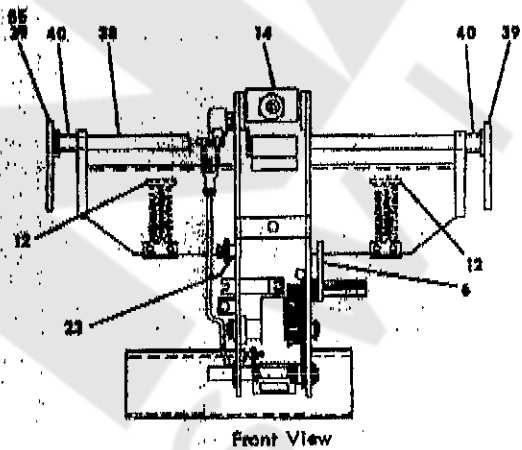
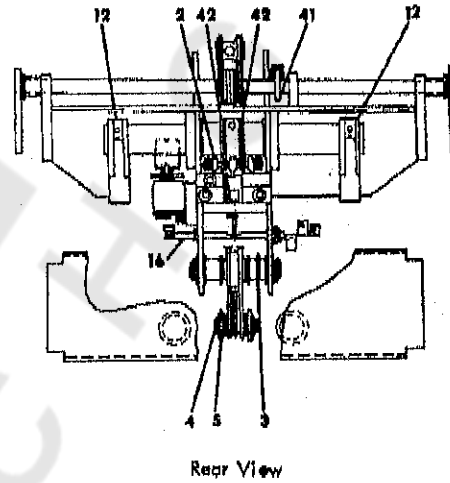
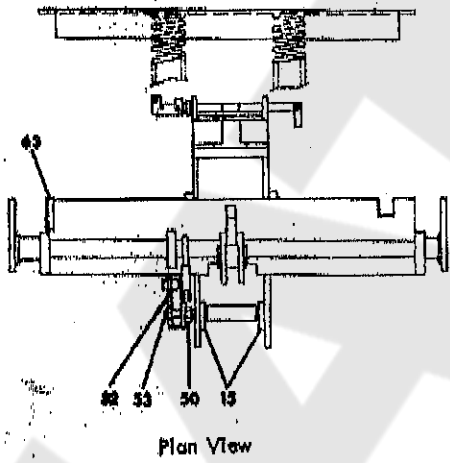
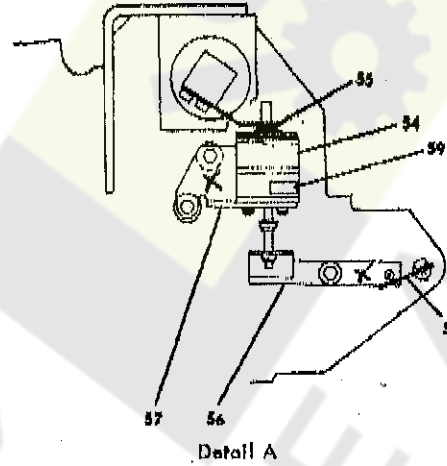
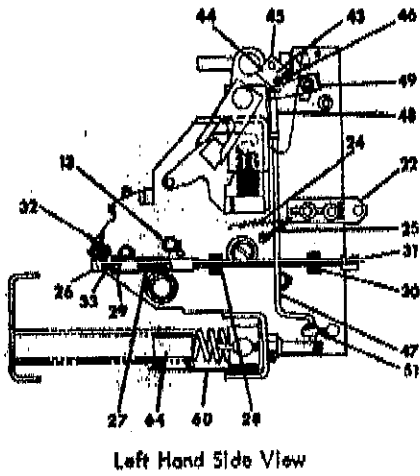
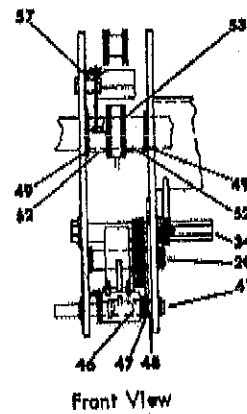
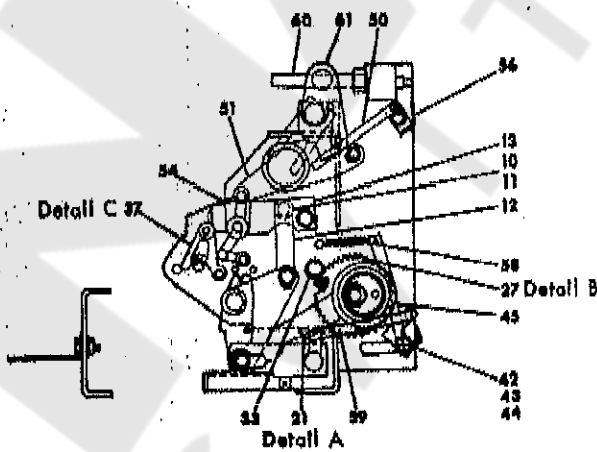
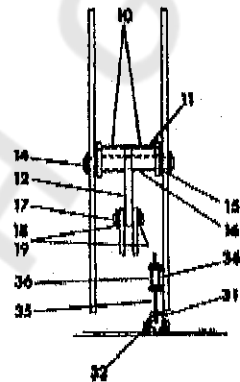
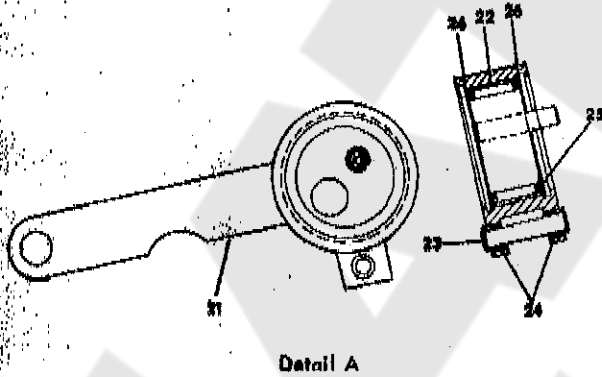
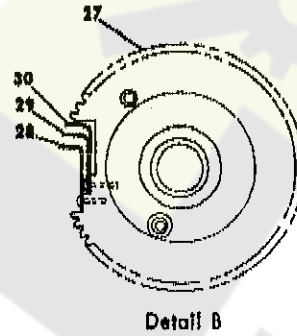
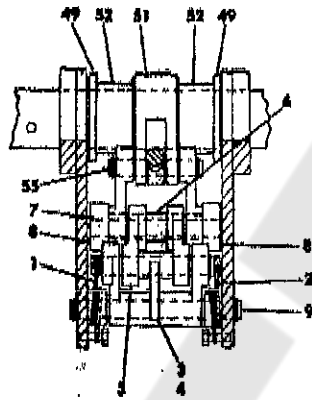
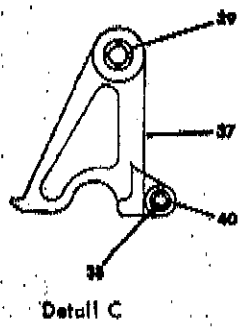


Figure 3. Operating Mechanism - Externally Mounted Parts



L.H. Side View - Without L.H. Side Plate

Figure 4. Operating Mechanism - Internally Mounted Parts

<u>ITEM</u>	<u>DESCRIPTION</u>	<u>PART NUMBER</u>	<u>USAGE</u>	<u>ITEM</u>	<u>DESCRIPTION</u>	<u>PART NUMBER</u>	<u>USAGE</u>
1	Spring R. H.	71-141-230-001		32	Clevis Pin	15-171-181-001	
2	Spring L. H.	71-141-230-002		33	Pinion	71-240-489-001	
3	Latch Crank	71-141-149-001		34	Adapter	72-140-375-001	
4	Needle Bearing	00-813-119-807		35	Eye End	00-691-713-101	
5	Tubing	71-170-491-009		36	Link	71-141-204-001	
6	Tubing	71-170-491-011		37	Latch	71-240-415-002	
7	Pin	71-240-127-012		38	Pin	71-240-127-022	
8	Roller	71-141-227-001		39	Needle Bearing	00-813-119-803	
9	Pin	71-240-127-011		40	Needle Bearing	15-813-119-001	
10	Tubing	71-169-020-014		41	Shaft	71-141-194-001	
11	Pin	71-141-186-001		42	Bracket	71-142-432-001	
12	Link	71-141-258-001		43	Indicator	71-141-815-003	
13	Cam	71-141-187-001		44	Indicator	71-141-815-004	
14	Pin	71-100-614-006		45	Latch	71-240-426-002	
15	Tubing	71-169-020-013		46	Tubing	71-169-020-018	
16	Tubing	71-169-020-015		47	Tubing	71-169-020-017	
17	Pin	71-100-614-003		48	Arm	71-240-437-001	
18	Bell Crank Assy.	71-141-126-501		49	Bearing	71-141-157-002	
19	Needle Bearing	00-813-119-821		50	Link	71-141-204-003	
20	Pin	71-240-127-014		51	Crank	71-240-475-001	
21	Connecting Rod Assy.	71-240-411-511		52	Spacer	71-142-322-001	
22	Inner Race	15-813-119-020		53	Pin	71-141-281-002	
23	Pin	71-240-127-009		54	Rod End	71-141-114-001	
24	Needle Bearing	00-813-119-805		55	Pin	71-240-127-010	
25	Needle Bearing	00-813-119-830		56	Indicator Assy.	71-141-120-503	
26	Washer	71-141-328-002		57	Spacer	71-016-178-037	
27	Gear	71-240-438-001		58	Spring	71-141-273-001	
28	Spring	71-141-224-001		59	Rod	71-141-191-001	
29	Spring	71-141-224-002		60	Racking Mechanism Assy.	18-657-349-557	
30	Spring	71-141-224-003		61	Arm	71-240-468-001	
31	Latch Assy.	71-142-310-501					

Figure 4. Operating Mechanism - Internally Mounted Parts

<u>ITEM</u>	<u>DESCRIPTION</u>	<u>PART NUMBER</u>	<u>USAGE</u>	<u>ITEM</u>	<u>DESCRIPTION</u>	<u>PART NUMBER</u>	<u>USAGE</u>
1	Frame Assy.	71-240-436-503	A	32	Trip Lever	71-142-341-001	
2	Frame Assy.	71-240-436-504	BC	33	Spring	71-141-311-001	
3	Link	71-141-140-002		34	Bumper	71-141-142-001	
4	Crank Assy.	71-141-208-601		35	Block	71-142-321-001	
5	Pin	71-100-814-004		36	Compression Spring	00-837-321-043	
6	Link	71-141-214-001		37	Shim	71-141-343-001	
7	Ratchet Assy.	72-140-265-501		38	Shaft	71-141-186-002	
8	Block	71-141-382-001		39	Crank	71-141-185-001	
9	Bumper	71-141-329-001		40	Pipe	71-105-260-011	
10	Spring	71-141-231-001		41	Crank	72-140-206-001	
11	Pin	71-240-127-013		42	Washer	18-657-461-283	A
12	Shaft	71-142-308-001		43	Spring	72-140-205-001	
13	Crank	71-340-245-002		44	Stud	15-171-048-001	
14	Pin	71-141-281-003		45	Lever	72-140-204-001	
15	Racking Screw Assy.	18-657-810-576		46	Tube	72-140-207-001	
16	Bearing	71-141-669-001		47	Rod	72-140-246-001	
17	Shaft	71-240-429-001		48	Yoke End Adj.	00-691-701-902	
18	Shaft	71-141-183-001		49	Lever	72-140-203-001	
19	Block	71-142-319-001		50	Shaft	72-140-209-001	
20	Spring	71-141-389-001		51	Eye End	72-140-247-001	
21	Channel Assy.	71-141-098-503	A	52	Clevis Pin	00-957-211-902	
22	Channel Assy.	71-141-098-504	BC	53	Stud	15-171-048-002	A
23	Bumper	71-141-180-001		54	Sealed Actuator	72-240-002-001	
24	Latch	71-141-668-002		55	Arm	71-142-400-001	
25	Spacer	71-141-664-001		56	Arm Assy.	71-142-399-501	
26	Spring	71-141-666-001		57	Bracket	71-142-384-001	
27	Spring	71-142-049-001		58	Arm	71-142-167-001	
28	Pin	71-142-393-001		59	Decal	72-140-002-001	
29	Compression Spring	71-204-805-009		60	Limit Switch Assy.	18-657-349-552	
30	Angle	71-141-216-002		61	Ground Bar	71-141-026-001	
31	Angle	71-141-216-003		62	Switch, SPST	00-871-523-008	
32	Angle	71-141-216-004		63	Channel	71-142-430-001	
33	Trip Rod	71-141-518-002		64	Switch	00-871-523-004	
				65	Roll Pin	00-671-176-387	

Figure 3. Operating Mechanism - Externally Mounted Parts