

HOW TO USE YOUR  
RENEWAL PARTS ORDERING GUIDE

1. Locate the part or parts to be replaced in one of the drawings in this manual.
2. Identify each part by item number, description and part number. Give drawing figure number in which part is shown.
3. Include breaker type, rating and breaker serial number with your order.
4. Place order with your Siemens-Allis representative.
5. When ordering relays or other electrical parts, include control voltage (see recommended spare parts list for part numbers).

ORDERING EXAMPLE

Type	<u>LA-600A</u>	Rated Amps	<u>600</u>	Serial Number	<u>H-76679A-4</u>
Mode of Operation:	<input checked="" type="checkbox"/> Electrical		<input type="checkbox"/> Manual		
Renewal Parts Ordering Guide	<u>18X5215-02</u>				
<u>Fig</u>	<u>Item</u>	<u>Description</u>	<u>Part Number</u>	<u>Quantity</u>	
16	3	Washer	00-651-017-903	1	
3	44	Nut	15-171-063-006	2	
2	11	Connector	71-141-786-001	1	

If required part is not identified in this manual -----

1. Make a copy of the drawing figure in which the part would appear.
2. Indicate with arrows or other markings location of part.
3. Describe or sketch required part.
4. Include breaker type, rating and breaker serial number and control voltage with your order.
5. Place order with your Siemens-Allis representative.

## TABLE OF CONTENTS

	Figure	Page
LA-1600A Circuit Breaker	1	1
LA-600A and LA-800A Circuit Breaker	2	5
LA-600A/800A and LA-1600A Operator	3	11
LA-600A/800A and LA-1600A Shunt Trip Group	4	15
LA-600A/800A and LA-1600A Motor Group	5	16
LA-600A/800A and LA-1600A Close Solenoid Group	6	18
LA-600A/800A and LA-1600A Alarm Switch Group, Bell Alarm	7	19
LA-600A/800A and LA-1600A Auxiliary Switch Group	8	21
LA-600A/800A and LA-1600A Secondary Disconnect Group	9	23
LA-600A/800A and LA-1600A Under Voltage Trip Group	10	25
LA-600A/800A and LA-1600A Static Trip Group	11	27
LA-600A Tripping Current Transformer Group	12	29
LA-1600A Tripping Current Transformer Group	13	30
LA-600A and LA-800A Fuse Attachment Group	14	31
LA-1600A Fuse Attachment Group	15	33
LA-600AF/800AF and LA-1600AF Anti-Single Phase Device, Trigger Fuse Assembly	16	35
LA-600A/800A and LA-1600A Under Voltage Trip Attachment	17	37

## USAGE TABLE

Type	Application	Top Level Assembly	*Usage
LA-600A	600 AMP	18-469-683	
LA-1600A	1600 AMP	18-469-684	

\*If no model or type is listed under Usage column of the following parts lists, the part is used on all assemblies listed in the figure title.

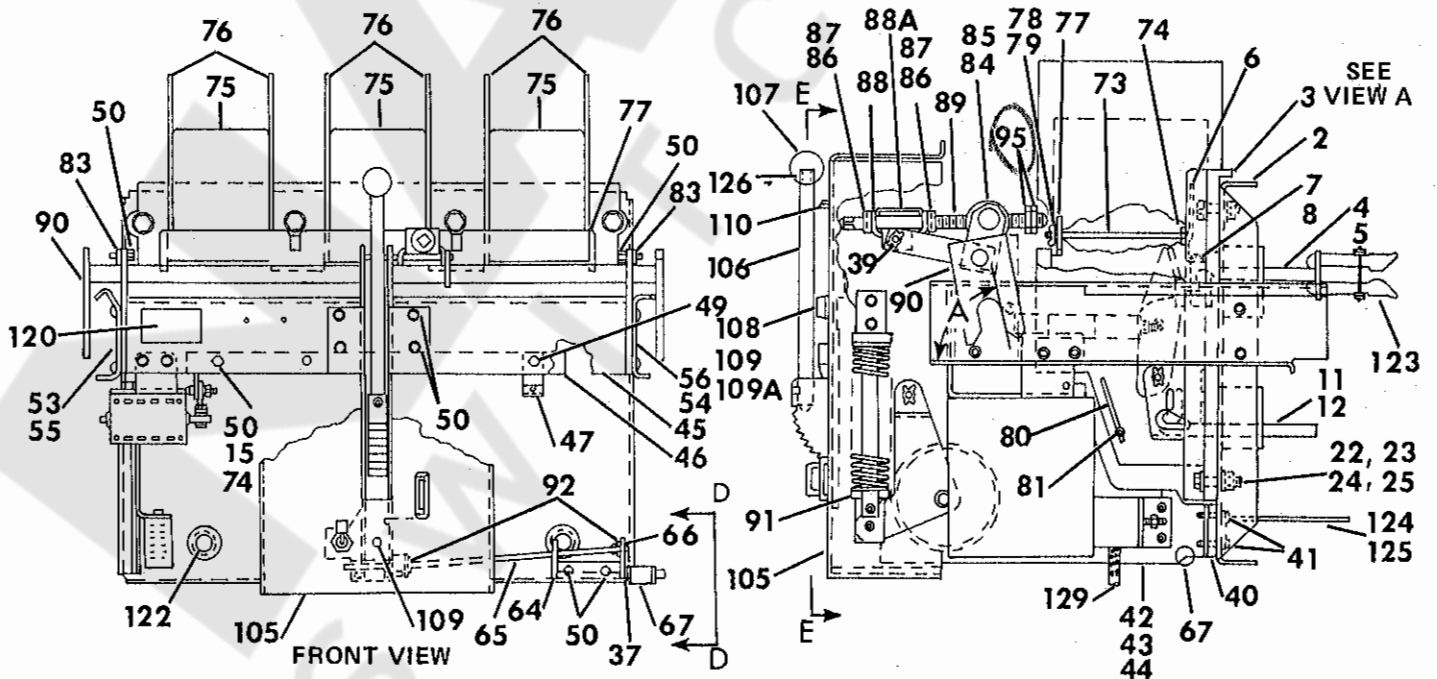
The following items refer to components shown in figure 1 LA-1600A Circuit Breaker.

ITEM	DESCRIPTION	PART NUMBER	USAGE
1			
2	Back Panel	18-390-968-001	
3	Base	71-440-119-001	
4	Connector upper	71-141-769-503	
5	Connector	71-142-280-001	Stationary
6	Arc Runner	71-142-053-001	
7	Screw	00-615-124-218	
8	Lk. Washer	00-655-017-022	
9	Contact Finger	71-141-973-501	
10	Spring	71-141-976-001	
11	Connector, lower	71-142-050-001	
12	Connector, lower	71-142-280-002	Stationary
13	Support	71-142-172-502	
14	Screw	00-615-663-373	
15	Lk. Washer	00-655-017-026	
16	Spring	71-141-930-001	
17	Screw	00-615-114-377	
18	Screw	00-615-114-380	
19	Screw	00-615-114-388	
20	Contact	71-141-768-001	
21	Contact	71-141-768-002	
22	Screw	00-611-315-468	
23	Nut	00-631-171-106*	
24	Washer	00-651-009-228	
25	Lk. Washer	00-655-017-032	
26	Clevis	71-240-561-001	
27	Arcing Contact	71-141-803-501	
28	Main Contact	71-141-805-501	
29	Spacer	71-141-822-003	
30	Spacer	71-141-822-004	
31	Pin	71-141-921-002	
32	Spacer (Spring cap)	71-142-122-001	
33	Spring	71-142-123-001	
34	Spring	71-142-139-001	
35	Screw	00-615-114-390	
36	Stop Nut	00-633-025-116	
37	Washer	00-651-017-135	
38	Pin	18-724-515-001	
39	"X" Washer	00-659-055-250	
40	Spacer	18-657-768-373	
41	Screw	15-171-399-011	
42	Operator Manual	18-390-971-503	See Separate List

LA-1600A Continued.

ITEM	DESCRIPTION	PART NUMBER	USAGE
43	Operator Electric	18-390-971-501	" " "
44	Operator Combination	18-390-971-502	" " "
45	Apron	18-657-510-527	
46	Stop	18-657-768-051	
47	Clip	18-721-493-001	
48	Bearing	18-657-768-050	
49	Screw	00-611-461-375	
50	Screw	00-615-663-373	
51	Shaft	18-724-496-501	
52	Spring	71-141-813-001	
53	Channel	18-726-898-001	
54	Channel	18-726-899-001	
55	Channel	71-142-333-001	Stationary
56	Channel	71-142-332-001	Stationary
57	Bearing	15-171-399-001	
58	Screw	00-615-015-461	
60	Pin	18-724-501-009	
61	Spacer	18-724-503-004	
62	Pin	18-724-501-005	
63	Pin	18-724-501-006	
64	Bracket	18-657-781-267	Drawout only
65	Rod	18-727-841-001	"
66	Arm - Interlock	18-657-823-357	"
67	Roller	71-141-870-001	"
68	Screw	15-171-399-023	"
69	Guide	18-657-803-018	"
70	Nut	00-633-059-210	"
71	Nut	00-633-039-110	"
72	Screw	00-615-485-222	"
73	Stud	00-619-427-031	
74	Nut	00-631-171-104	
75	Arc Chute	18-657-346-538	
76	Barrier	71-142-088-002	
77	Strap	71-142-089-002	
78	Wingnut	00-639-121-116	
79	Lk. Washer	00-655-067-140	
80	Barrier	71-142-109-001	
81	Plastic Rivet	00-671-501-050	
83	Weldnut	15-171-399-012	Drawout only
84	Washer	00-651-007-902	"
85	Barrel Nut	18-657-823-346	"
86	Collar	72-140-028-002	"
87	Rollpin	00-671-185-901	"
88	Brace	18-657-765-060	"
88A	Backing Block	18-657-823-354	
89	Racking Screw	18-727-842-001	
90	Shaft	18-390-965-502	LA-1600 only

ITEM	DESCRIPTION	PART NUMBER	USAGE
91	Spring	18-724-488-502	
92	Washer	00-651-007-123	Drawout only
95	Nut	00-631-171-108	Drawout only
104	Screw	15-171-399-025	
105	Cover	18-390-974-001	
106	Handle	18-657-768-047	Manual Charge Only
107	Knob	15-171-199-006	" "
108	Bumper	15-171-399-007	" "
109	Screw	15-171-399-010	
109A	Washer	00-651-021-092	
110	Slide	18-657-783-370	
111	Perma-Nut	15-171-035-001	
112	Nut	00-633-059-210	
113	Pushnut	15-171-399-026	
114	Trip Label	18-657-838-287	
115	Racking Label	18-657-784-002	Drawout only
116	Label Motor Sw.	18-657-784-003	Electric Charge only
118	Cover	18-657-803-006	Non-Manual Charge only
119	Hole plug	00-691-865-051	Manual Charge only
120	Label Caution	71-141-867-001	
122	Grommet	00-837-659-321	
123	Contact Fingers	71-240-055-511	Drawout only unfused
124	Ground Bar	18-657-781-278	" " "
125	Screws	00-615-663-373	" " "
126	Tolerance Ring	15-171-199-005	Manual Charge only
131	Position Label	18-657-823-349	





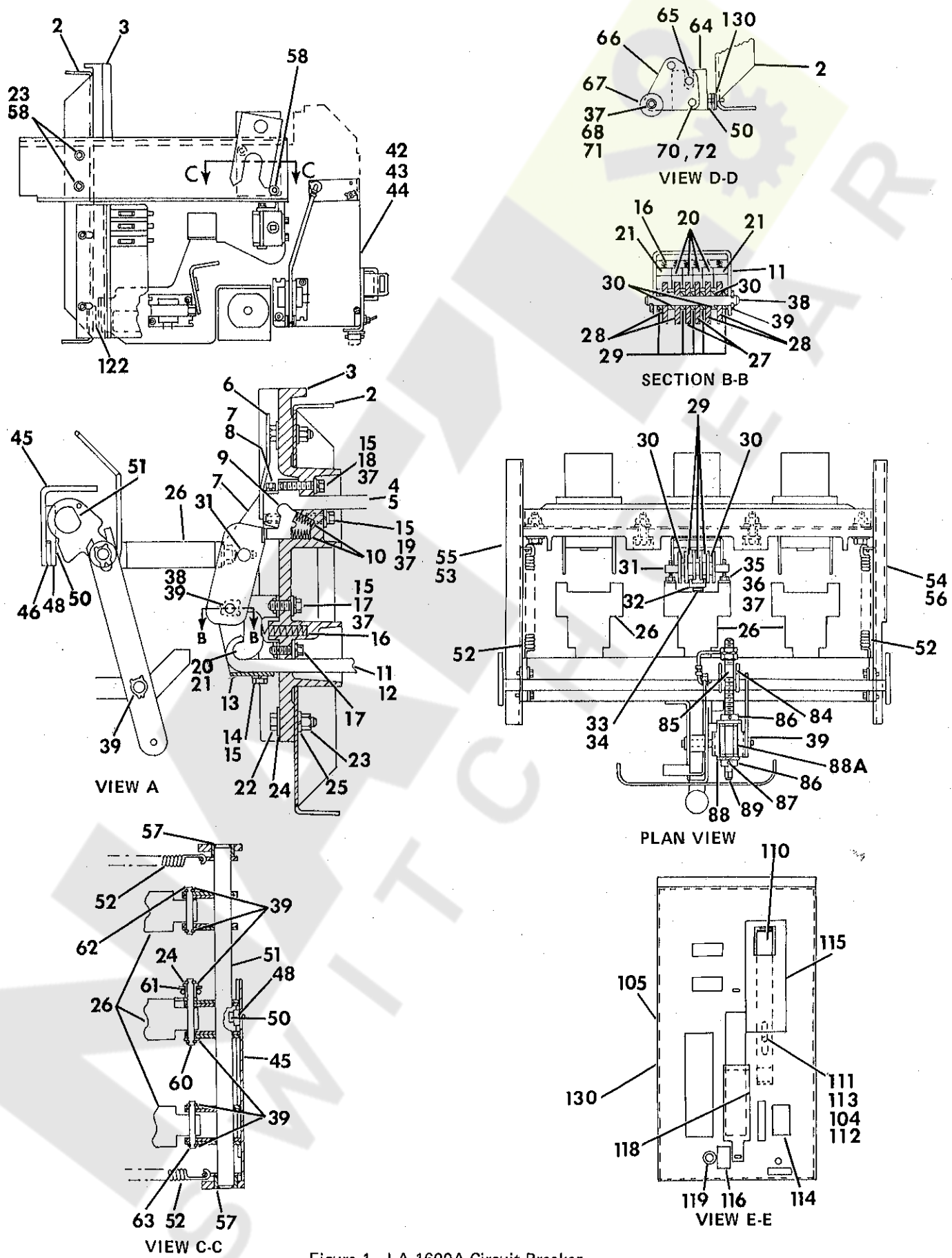


Figure 1. LA-1600A Circuit Breaker

The following item numbers refer to components shown in figure 2 LA-600A — LA-800A Circuit Breaker.

ITEM	DESCRIPTION	PART NUMBER	USAGE
2	Back Panel	18-390-967-001	
3	Base	71-440-117-001	
4	Connector	71-141-769-502	Drawout only
4A	Connector LA-800	18-657-889-527	
5	Connector	71-141-769-504	Stationary only
5A	Connector, Upper LA-800	18-731-803-501	Stationary only
6	Arc Runner	71-141-983-001	
7	Screw	00-615-124-218	
8	Lk. Washer	00-655-017-022	
9	Contact Finger	71-141-973-501	
9A	Contact Finger LA-800	18-727-833-502	
10	Spring	71-141-976-001	
10A	Spring LA-800	18-657-903-282	
11	Connector	71-141-786-001	Drawout only
12	Connector	71-141-786-002	Stationary only
12A	Connector, Lower LA-800	18-731-801-501	Stationary only
13	Support	71-142-172-501	
14	Screw	00-615-663-373	
15	Lk. Washer	00-655-017-026	
16	Spring	71-141-930-001	
16A	Spring LA-800 Lower RH	18-657-765-230	
17	Screw	00-615-114-377	
18	Screw	00-615-114-380	
20	Contact	71-141-768-001	
20A	Contact Lower Center LA-800	18-727-825-001	
20B	Contact Lower Outer	18-727-825-003	
20C	Rivet	00-671-177-321	
22	Screw	00-611-315-468	
23	Nut	00-631-171-106	
23A	Nut	18-657-901-097	
24	Washer	00-651-009-228	
25	Lk. Washer	00-655-017-032	
26	Push Rod	71-240-542-001	
26A	Push Rod LA-800	71-240-542-002	
27	Arc Contact	71-141-803-501	
27A	Arc Contact LA-800	18-727-729-502	
28	Main Contact	71-141-805-501	
28A	Main Contact LA-800	18-727-729-501	
29	Spacer	71-141-822-002	
29A	Spacer	18-727-839-006	
30	Washer	00-651-017-286	
30A	Spacer	18-727-839-001	

LA-600A Continued.

ITEM	DESCRIPTION	PART NUMBER	USAGE
31	Pin	71-141-921-001	
31A	Pin LA-800	18-657-901-098	
31B	Sleeve LA-800	18-657-901-099	
32	Spacer	71-141-975-001	
33	Spring	71-141-799-001	
33A	Spring Aux. Wound RH	18-657-765-230	
33B	Spring Cap	18-657-901-115	
35	Screw	00-615-114-386	
36	Stop Nut	00-633-025-116	
37	Washer	00-615-017-135	
37A	Washer LA-800	00-651-007-146	
38	Pin	18-724-515-002	
38A	Screw	00-611-315-472	
39	"X" Washer	00-659-055-250	
39A	Nut	15-171-063-007	
42	Operator Manual	18-390-971-503	See Separate Listing
43	Operator Electric	18-390-971-501	See Separate Listing
44	Operator Combination	18-390-971-502	See Separate Listing
45	Apron	18-657-663-562	
46	Stop	18-657-781-281	
47	Clip	18-721-493-001	
49	Screw	00-611-461-375	
50	Screw	00-615-663-373	
51	Shaft	18-724-495-501	
52	Spring	71-141-813-001	
52A	Spring LA-800	18-657-920-232	
53	Channel LH	18-726-896-001	
54	Channel RH	18-726-897-001	
54A	Channel LA-800	18-731-802-001	
55	Channel	71-142-318-001	Stationary only
56	Channel	71-142-317-001	Stationary only
57	Bearing	15-171-399-001	
58	Screw	15-615-024-004	
60	Pin	18-724-501-009	
61	Spacer	18-724-503-004	
62	Pin	18-724-501-004	
63	Washer	18-657-768-374	
64	Bracket	18-657-781-267	Drawout only
65	Rod	18-724-690-001	Drawout only
66	Plate	18-657-765-216	Drawout only
67	Roller	71-141-870-001	Drawout only
68	Screw	15-171-399-023	Drawout only
69	Guide	18-657-803-018	Drawout only
70	Nut	00-633-059-210	Drawout only
71	Nut	00-633-057-110	Drawout only
72	Screw	00-615-485-222	



LA-600A Continued.

ITEM	DESCRIPTION	PART NUMBER	USAGE
73	Stud	00-619-427-903	
74	Nut	00-631-171-104	
75	Arc Chute	18-657-346-524	
75A	Arc Chute LA-800	18-728-500-591	
76	Barrier	18-657-784-012	
76A	Barrier Outer	18-657-901-096	
76B	Barrier Inner	18-657-901-095	
77	Strap	71-141-841-001	
77A	Strap	18-657-901-013	
78	Wingnut	00-639-121-116	
78A	Wingnut	15-639-101-002	
79	Lk. Washer	00-655-067-140	
80	Barrier	18-657-804-066	
80A	Barrier LA-800	18-657-901-092	
80B	Barrier	18-657-920-233	
81	Plastic Rivet	00-671-501-050	
83	Weldnut	15-171-399-012	
84	Washer	00-651-007-902	Drawout only
85	Barrel Nut	18-657-823-346	Drawout only
86	Collar	72-140-028-002	Drawout only
87	Rollpin	00-671-185-901	Drawout only
88	Racking Block	18-657-823-359	Drawout only
89	Racking Screw	18-727-842-501	Drawout only
90	Racking Shaft	18-390-965-501	Drawout only
91	Spring	71-141-836-001	Drawout only
91A	Spring LA-800	18-724-488-503	
92	Washer	00-651-017-087	Drawout only
95	Nut	00-631-171-108	Drawout only
104	Screw	15-171-399-025	
105	Cover	18-390-975-001	
105A	Cover LA-800	18-390-975-002	
106	Handle	18-657-768-047	Manual only
107	Knob	15-171-199-006	Manual only
108	Bumper	15-171-399-007	Manual only
109	Screw	<del>15-171-399-010</del>	Manual only
110	Slide	18-657-783-370	
111	Perma nut	15-171-035-001	
112	Nut	00-633-059-210	
113	Pushnut	15-171-399-026	
114	Label Trip	18-657-838-287	
115	Label Racking	18-657-784-002	Drawout only
116	Label Motor Sw.	18-657-784-003	Electrical only
118	Cover	18-657-803-006	Non-Manual only
119	Hole plug	00-691-865-051	Non-Electric only
120	Label caution	71-141-867-001	
121	Barrier	18-657-784-015	

ITEM	DESCRIPTION	PART NUMBER	USAGE
122	Grommet	00-837-659-321	
123	Contact fingers	71-240-055-509	Drawout only unfused
124	Ground Bar	18-657-781-278	Drawout only unfused
125	Screws	00-615-663-373	Drawout only unfused
126	Tolerance ring	15-171-399-005	Manual only
129	Insulation	00-413-615-182	
130	Position Label	18-657-823-349	
131	Washer	00-651-007-909	
132	Washer LA-800	00-651-017-284	
133	Spring	15-171-037-002	
134	Cotter Pin	00-671-195-125	
135	Spacer	18-657-823-356	
136	Nameplate LA-800	18-657-901-123	
137	Nameplate LA-800F	18-657-901-122	
138	Shim LA-800	18-657-769-359	
139	Clip	18-657-854-175	
140	Trip Guard	18-729-785-001	
141	Screw	15-171-074-007	
142	Washer	00-651-021-092	
143	Barrier LA-800	18-657-920-234	
144	Screw LA-800	00-615-609-072	
145	Contact Lower-Outer	18-727-825-003	
146	Rivet	00-671-171-321	

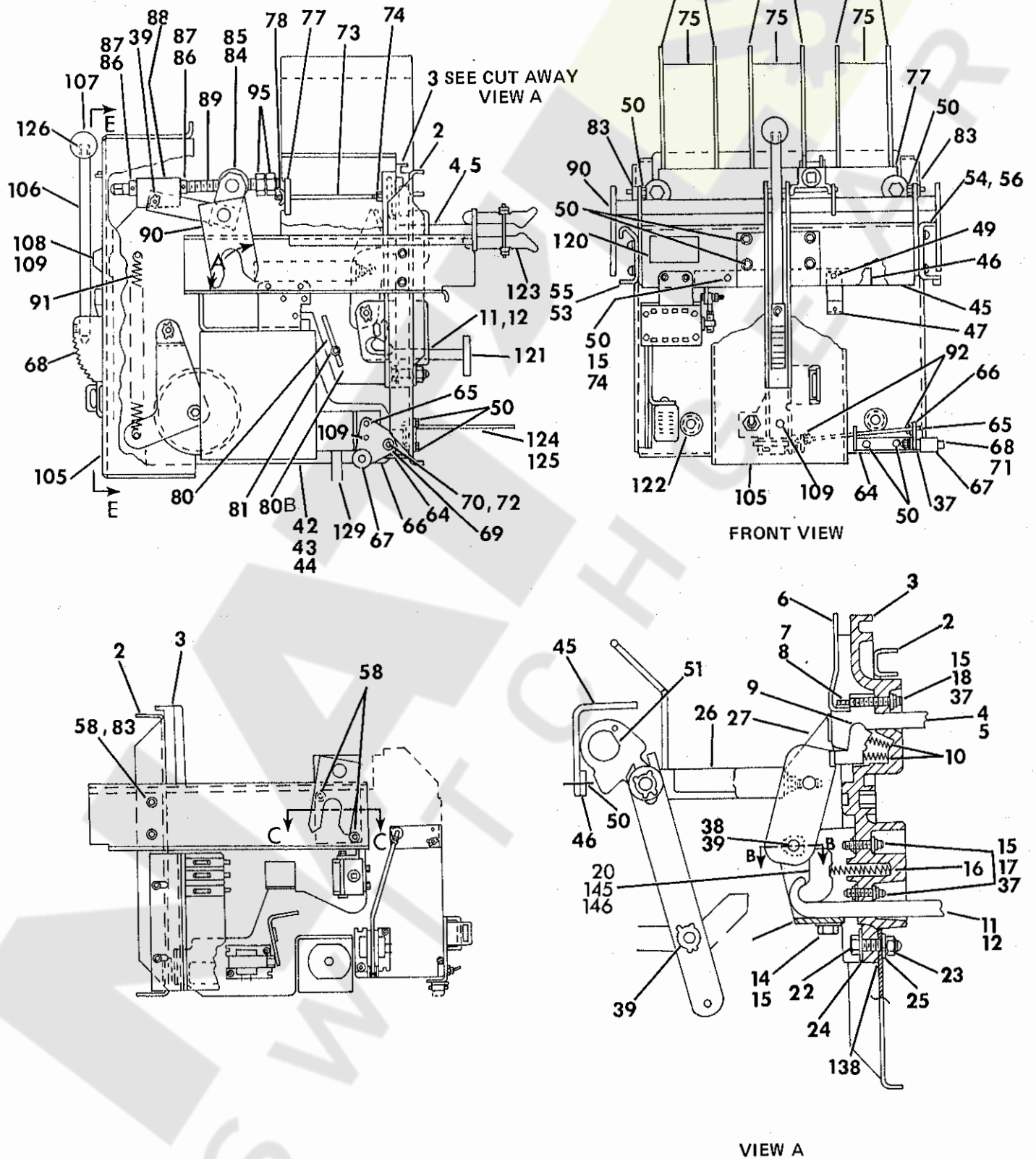


Figure 2. LA-600A – LA-800A Circuit Breaker

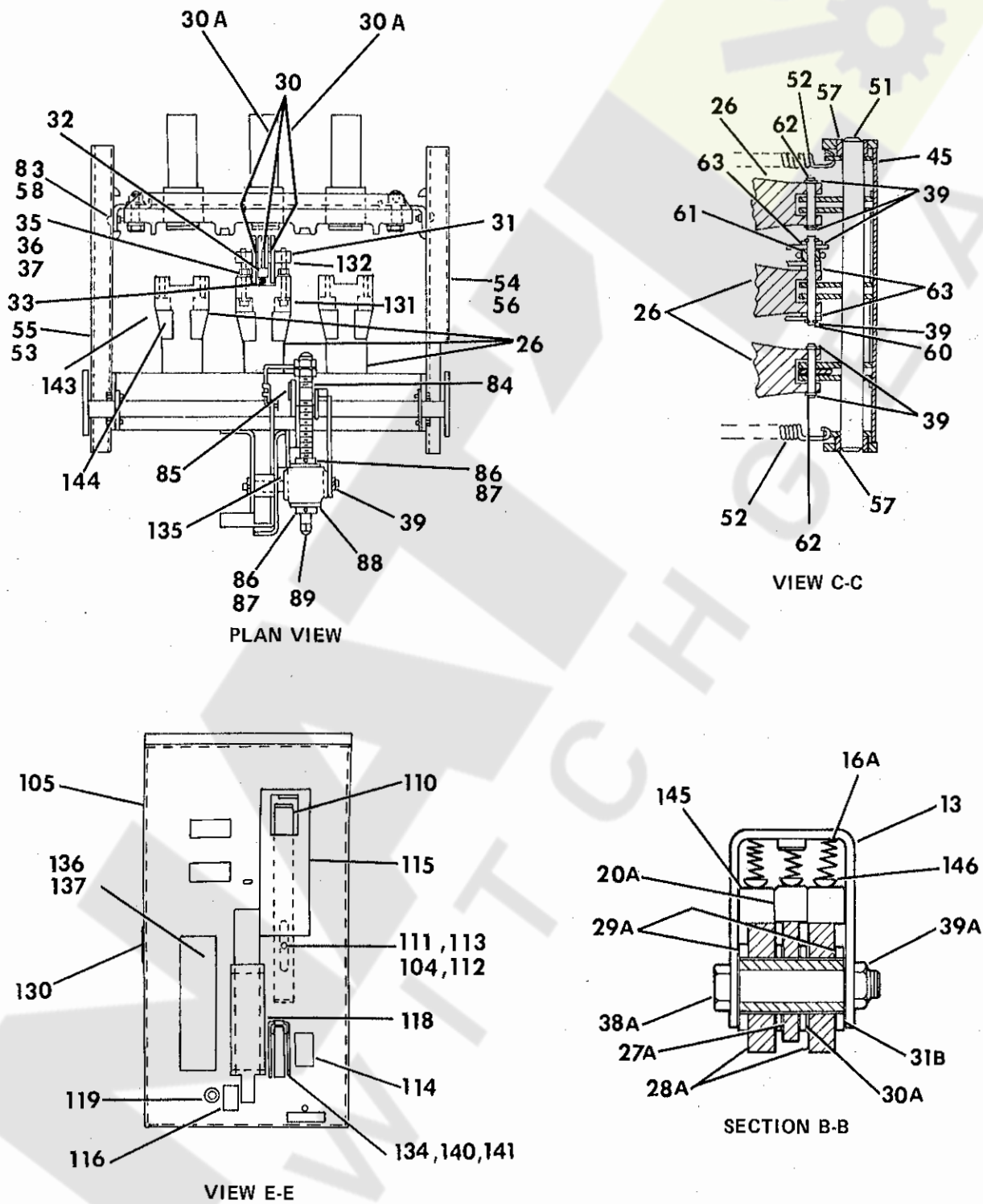


Figure 2. LA-600A – LA-800A Circuit Breaker

The following item numbers refer to figure 3, the operator. These are common parts used on both the LA-600A — LA-800A and the LA-1600A circuit breakers.

ITEM	DESCRIPTION	PART NUMBER	USAGE
2	Frame	18-469-506-501	
4	Rollpin	15-171-399-021	
5	Pawl	18-657-800-346	
7	Latch — 600A	18-657-768-049	
7A	Latch — 1600A, LA-800A	18-657-765-564	
8	Hood	18-657-882-559	
9	Spring	71-142-406-001	LA-600A only
10	Spring	71-142-408-001	
11	Pin	18-657-769-367	
12	“X” Washer	00-659-055-187	
13	Trip Latch LA-600A	18-657-768-017	18-727-727-501
14	Trip Flap LA-1600A	18-657-768-018	
14A	Trip Flat Assem. LA-800	18-727-727-502	
15	Spring	72-140-324-001	
16	Screw	15-171-074-010	
17	Spring Hanger	18-657-768-013	
17A	Spring Hanger LA-800	18-727-726-002	
18	Clip	18-657-768-014	
19	Cam	18-724-493-001	
20	Screw	00-611-315-478	
21	Nut	15-171-063-006	
21A	Nut LA-800	15-171-063-015	
22	Spacer	18-657-768-053	
23	Link	71-142-071-001	
24	Bumber	71-142-102-001	
25	Guide Link	18-657-768-024	
26	Pin	18-724-501-007	
27	Pin	18-724-501-006	
27A	Spacer — 1600A, 800A	71-815-695-013	
28	Roller	18-657-768-027	
28A	Bearing — 1600A, 800A	00-813-109-037	
29	Lever	18-657-768-020	
30	Rollpin	15-171-399-022	
31	Stop Block	18-657-768-039	
32	Screw	00-611-315-463	
33	Washer	00-655-017-032	
34	Pin	18-657-769-368	
35	Latch	71-142-070-001	
36	Spring	18-657-768-033	
37	Pin	18-724-501-002	
37A	“X” Washer	00-659-055-250	



ITEM	DESCRIPTION	PART NUMBER	USAGE
38	Spacer	18-731-274-001	
39	Spacer	18-724-503-002	
39A	Spacer LA-800	18-657-823-356	
40	Spacer	18-724-503-003	
40A	Spacer LA-800	18-731-274-002	
41	Roller	71-141-789-003	
42	Link	18-657-768-025	
43	Screw	18-657-822-333	
44	Nut	15-171-063-006	
44A	Nut	15-171-063-006	
46	Washer	18-657-768-374	
47	Bracket	18-726-894-501	
48	Trip Bar	18-728-500-037	
49	Cotter pin	00-671-195-049	
50	Flag	18-724-498-001	
51	Decal	18-657-800-116	
52	Flag	18-728-500-005	
53	Decal	71-141-817-001	
54	Pin	18-724-501-008	
55	Bracket	18-657-768-022	
56	Screw	00-615-663-373	
57	Reset arm	18-657-663-575	
58	Lever	18-724-494-001	
59	Spring	18-657-768-038	
60	Clip	15-171-399-004	
61	Tripping Actuator	18-387-921-503	
62	Screw	00-615-513-220	
63	Washer	00-655-067-100	
64	Washer	72-140-000-001	
65	Charge Cam	18-657-346-515	Manual Charge Models
66	Spring	71-141-761-001	Manual Charge Models
67	Pin	18-724-501-001	Manual Charge Models
68	Setscrew	00-617-031-413	Manual Charge Models
69	Slide interlock	18-657-781-269	Removed on Stationary
69A	Return Spring	15-171-037-002	
70	Rollpin	15-171-399-020	
71	Clip	15-171-399-029	
71A	Clip		
72	Flag Link	18-728-500-004	
73	Spring Interlock	18-724-509-001	Removed on Stationary
74	Spacer	18-657-768-372	
75	Retainer	00-673-285-063	
76	Pin	18-724-501-004	
77	Guide	18-657-803-018	Removed on Stationary
78	Screw	15-171-399-025	

ITEM	DESCRIPTION	PART NUMBER	USAGE
79	Screw	00-615-142-428	
80	Shield	18-657-784-013	
82	"X" Washer	00-659-055-156	
85	Cam	18-724-492-001	Electric Charge Models
86	Gear	18-724-505-501	Electric Charge Models
87	Gear Pin	18-657-768-371	Electric Charge Models
88	Spacer	18-727-839-005	Electric Charge Models
89	Bolt	00-611-315-461	Electric Charge Models
90	Brace	18-724-508-001	Electric Charge Models
91	Switch Lever	18-657-768-037	Electric Charge Models
92	Bearing	18-657-768-031	Electric Charge Models
93	Switch Lever	18-657-768-032	Electric Charge Models
94	Washer	71-141-170-003	Electric Charge Models
95	Cam Follower	18-657-768-026	Electric Charge Models
96	Cotter Pin	00-671-195-125	
97	Backup Spring	18-657-765-130	
98	Push Nut	00-673-173-018	
99	Spacer	18-724-503-001	

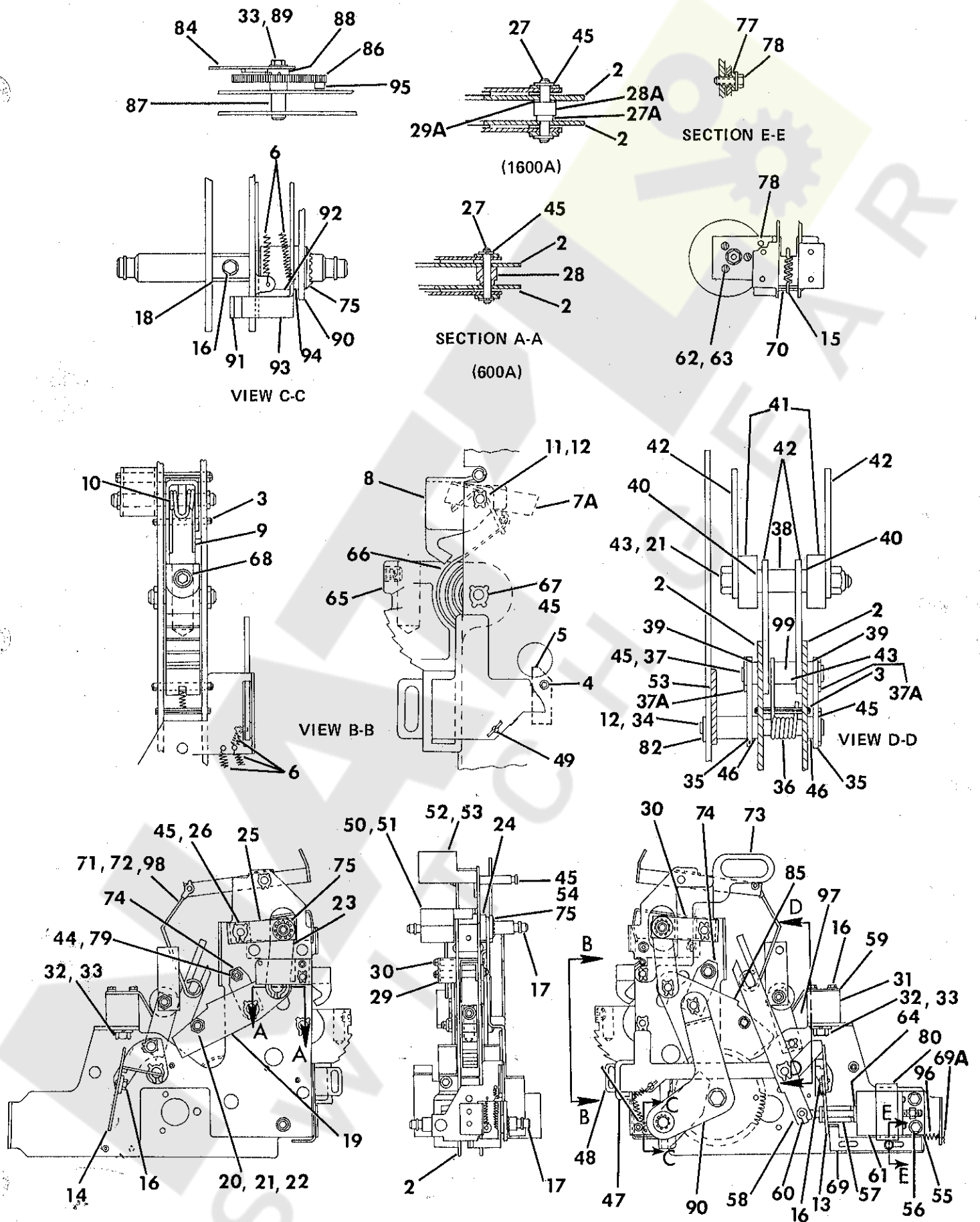


Figure 3. LA-600A/800A/1600A Operator

## SHUNT TRIP GROUP

The following item numbers refer to figure 4, and are common parts used on both the LA-600A — LA-800A and the LA-1600A Circuit Breakers.

ITEM	DESCRIPTION	PART NUMBER	USAGE
141	Solenoid 48 VDC & 120 VAC	18-724-513-001	
142	Solenoid 240 VAC & 125 VDC	18-724-513-002	
143	Solenoid 24 VDC	18-724-513-006	
144	Solenoid 250 VDC	18-724-513-004	
146	Bracket	18-657-781-264	
147	Pushrod	18-657-768-036	
148	Spring	14-128-784-001	
149	Screw	15-171-399-010	
150	Term, Spade	15-171-399-032	

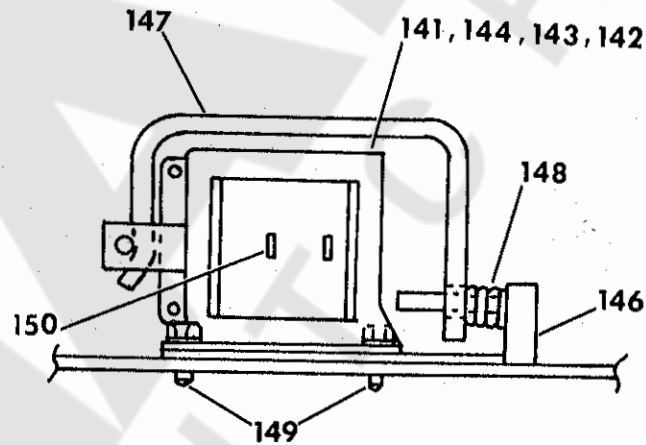


Figure 4. LA-600A/800A/1600A Shunt Trip Group

## MOTOR GROUP

The following item numbers refer to figure 5, and are common parts used on both the LA-600A — LA-800A and LA-1600A Circuit Breakers.

ITEM	DESCRIPTION	PART NUMBER	USAGE
157	Motor 120 V.A.C. and 125 V.D.C.	71-340-297-001	
158	Motor 240 V.A.C. and 250 V.D.C.	71-340-297-002	
161	Motor 48 V.D.C.	71-340-297-005	
162	Spacer	18-657-768-030	
163	Screw	00-615-245-218	1 Req. per Motor
164	Lk. Washer	00-655-017-022	
165	Motor Control Switch	00-871-523-008	
166	Switch (A.C.)	15-171-399-013	
167	Insulator	18-657-783-362	
169	Screw	15-171-399-008	
170	Terminal	15-171-399-032	
171	Switch (D.C.)	15-171-323-003	
172	Base	18-657-782-256	
173	Screw	15-171-399-037	
174	Switch (A.C. & D.C.)	15-171-186-010	
175	Insulator	18-657-800-327	
176	Terminal	00-851-062-023	
177	Bracket	18-657-803-007	
178	Terminal	18-657-803-039	
179	Screw	00-615-124-220	2 Req. per Motor



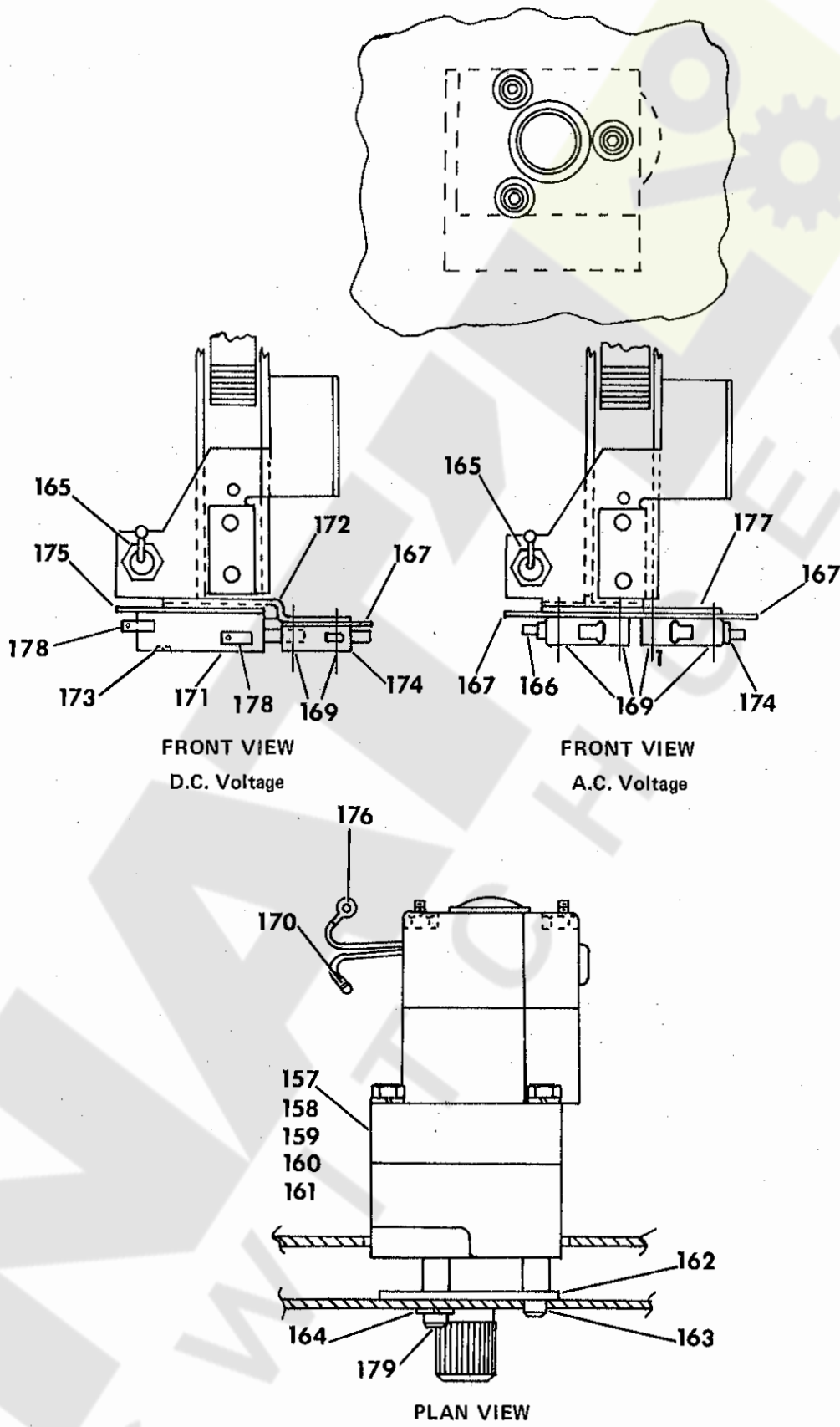


Figure 5. LA-600/1600A Motor Group

CLOSE SOLENOID GROUP INCLUDES ANTI-PUMP "Y" RELAY

The following item numbers refer to figure 6, and are common parts used for both the LA-600A – LA-800A and LA-1600A Circuit Breakers.

ITEM	DESCRIPTION	PART NUMBER	USAGE
186	Solenoid 48 VDC and 120 VAC	18-724-513-001	
187	Solenoid 240 VAC & 125 VDC	18-724-513-002	
189	Solenoid 250 VDC	18-724-513-004	
191	Close Linkage	18-724-511-001	
192	Clip	15-171-399-003	
193	Screw	15-171-399-010	
199	Screw	00-615-471-121	
200	Lk. Washer	00-655-047-060	
201	Relay "Y" 120 VAC	15-171-399-014	
202	Relay "Y" 240 VAC	15-171-399-015	
203	Relay "Y" 125 VDC	15-171-399-016	
204	Relay "Y" 250 VDC	15-171-399-017	
205	Relay "Y" 48 VDC	15-171-399-027	

Some applications require 2 of this relay.

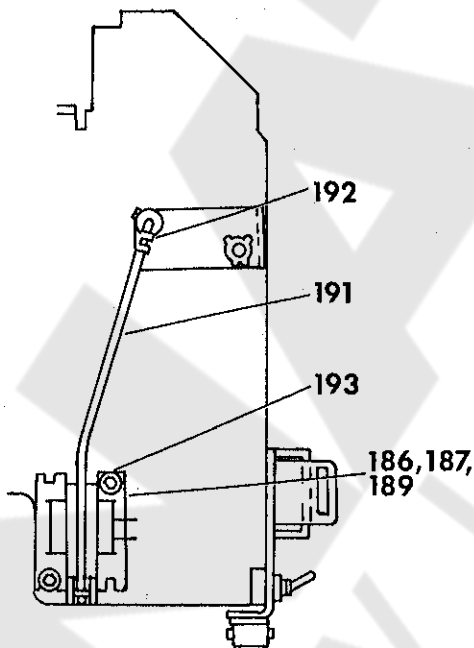


Figure 6. LA-600A – 800A/1600A Close Solenoid Group

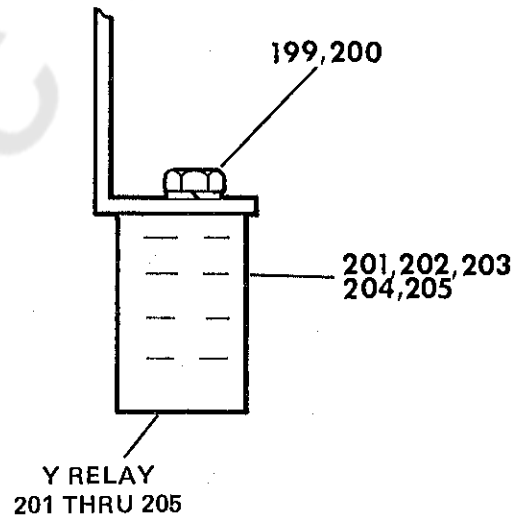
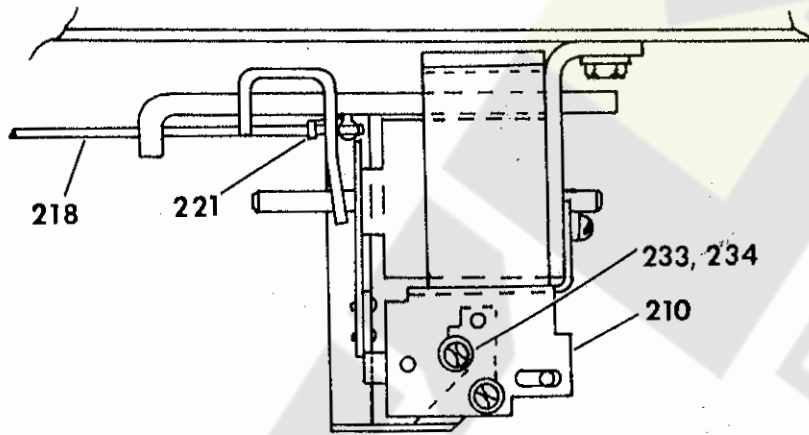


Figure 6A. Anti-Pump "Y" Relay

## ALARM SWITCH GROUP, BELL ALARM

The following item numbers refer to figure 7, and are common parts used on both the LA-600A — LA-800A and LA-1600A Circuit Breakers.

ITEM	DESCRIPTION	PART NUMBER	USAGE
210	Switch operator		
210	Bracket Assembly	18-392-075-501	
211	Switch	15-171-186-010	
212	Insulator	18-657-783-362	
213	Screws	15-171-399-008	
214	Screw	15-171-399-028	Dual Switch Mod.
215	Lk. Washer	00-855-047-040	
216	Tandem Operator	15-171-336-001	Dual Switch Mod.
218	Manual Reset Rod	18-657-783-365	
221	Clip	15-171-399-003	
223	Label	71-142-151-001	
227	Solenoid 48 VDC	18-724-497-005	
228	Solenoid 120 VAC	18-724-497-001	
229	Solenoid 240 VAC	18-724-497-003	
230	Solenoid 125 VDC	18-724-497-002	
231	Solenoid 250 VDC	18-724-497-004	
232	Rollpin	15-171-233-006	
233	Screw	00-615-471-120	
234	Lk. Washer	00-655-047-060	



PLAN VIEW

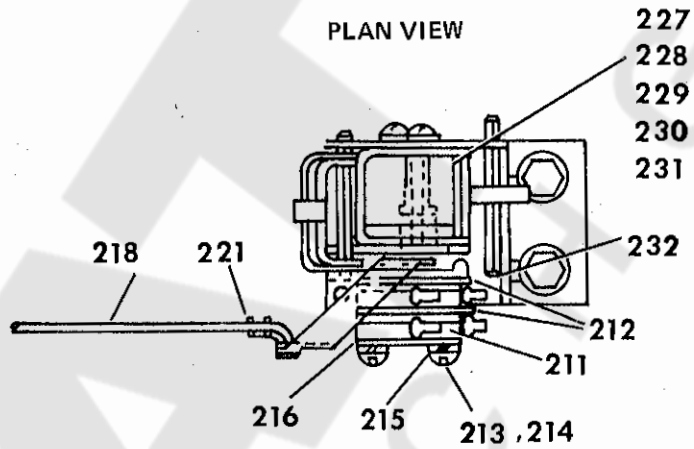


Figure 7. LA-600A/800A/1600A Alarm Switch Group, Bell Alarm

## AUXILIARY SWITCH GROUP

The following item numbers refer to figure 8, and are common parts used on both the LA-600A — LA-800A and LA-1600A Circuit Breakers.

ITEM	DESCRIPTION	PART NUMBER	USAGE
245	Case	71-240-524-001	
246	Contact	71-141-994-001	
247	Terminal	00-851-609-006	
248	Screw	00-615-641-904	
249	Shaft	71-141-992-001	
250	Rotor	71-141-993-001	
251	Bearing	71-141-995-001	
252	Arm	71-141-996-001	
253	Screw	00-615-485-225	
254	Washer	00-651-017-087	
255	Nut	00-633-059-210	
256	Cotter pin	00-671-195-049	
257	Cover	71-141-952-001	
258	Screw	15-171-074-001	
259	Bracket	72-140-315-001	
260	Strap	71-141-999-001	
261	Screw	00-611-315-388	Single switch
262	Screw	00-611-315-390	Double switch
263	Lk. Washer	00-655-017-026	
264	Screw	00-615-485-222	
265	Link	18-657-781-265	
266	Link	71-141-962-001	Double switch
267	Perma nut	15-171-035-001	
268	Perma nut	15-171-035-002	Double switch
269	Screw	00-615-663-373	
270	Terminal	00-851-470-904	



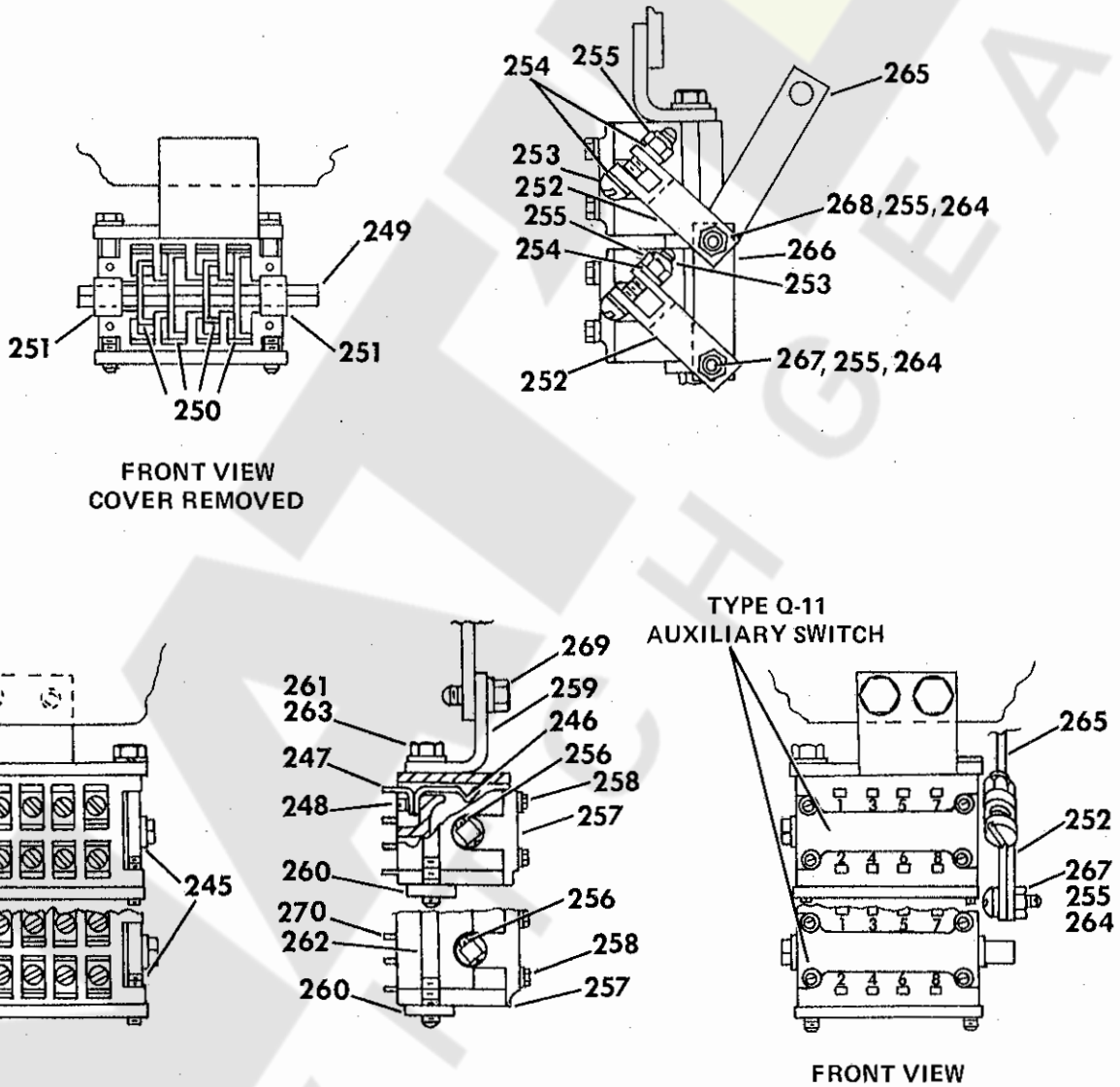


Figure 8. LA-600A/800A/1600A Auxiliary Switch Group

## SECONDARY DISCONNECT GROUP

The following item numbers refer to figure 9, and are common parts used on both the LA-600A — LA-800A and LA-1600A Circuit Breakers, except as noted under usage column.

ITEM	DESCRIPTION	PART NUMBER	USAGE
286	Block	71-240-535-001	
287	Contact	71-142-169-001	
288	Terminal	00-851-609-007	
289	Terminal	00-851-609-006	
290	Screw	00-615-641-904	
291	Shield	71-141-894-002	
292	Bracket	18-657-781-276	
293	Bracket	71-142-125-001	20 point
294	Screw	15-171-399-025	
295	Screw	15-171-399-019	20 point
296	Screw	00-615-485-225	20 point
297	Nut	00-631-109-210	20 point and Stationary
298	Lk. Washer	00-655-017-022	" " " "
299	Marking Strip	71-141-895-001	
300	Marking Strip	71-141-895-002	20 point
301	Screw	00-615-663-373	
302	Screw	00-615-015-375	20 point
303	Weldnut	15-171-399-012	" "
304	Lk. Washer	00-655-067-140	" "
305	Washer	00-651-007-160	" "
306	Brace	18-657-783-010	LA-1600A 20 point
307	Screw	15-171-399-010	
308	Brace	18-657-783-368	LA-600A 20 point
310	Block	00-857-036-073	Stationary
311	Marking Strip	15-857-036-002	"
312	Screw	00-615-485-222	"
313	Spacer	00-851-470-904	

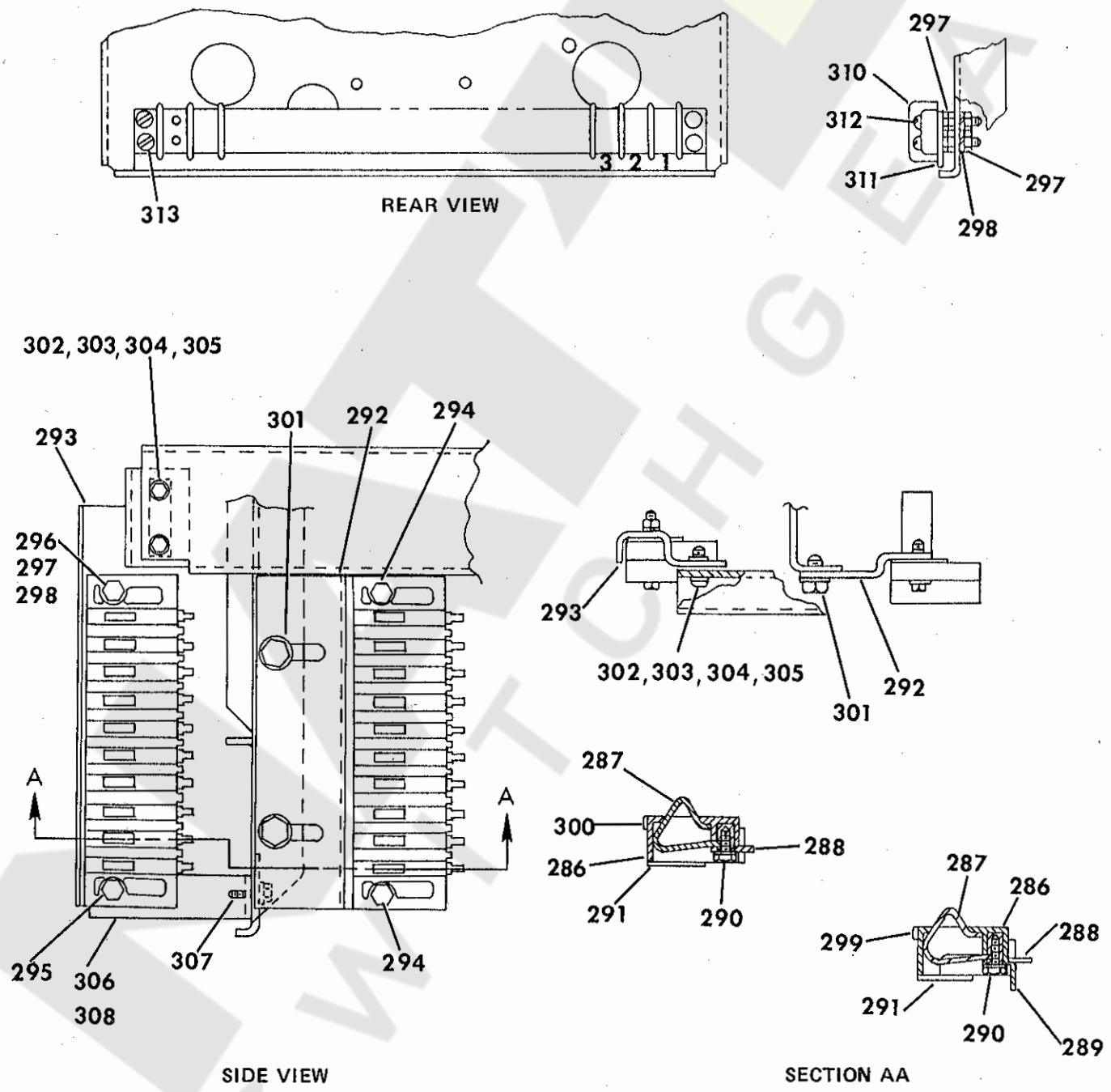


Figure 9. LA-600A/800A/1600A Secondary Disconnect Group

## UNDervoltage TRIP GROUP

The following item numbers refer to figure 10, and are common parts used on both the LA-600A — LA-800A and the LA-1600A Circuit Breakers.

ITEM	DESCRIPTION	PART NUMBER	USAGE
331	120 VAC Inst. Under-voltage	18-391-885-801	See Fig. 17
332	240 VAC Inst. Under-voltage	18-391-885-802	See Fig. 17
333	460 VAC Inst. Under-voltage	18-391-885-803	See Fig. 17
334	120 VAC T.D. Under-voltage	18-391-886-801	See Fig. 17
335	240 VAC T.D. Under-voltage	18-391-886-802	See Fig. 17
336	460 VAC T.D. Under-voltage	18-391-886-803	See Fig. 17
337	Screw	00-615-663-373	
338	Flapper Extension	18-657-854-174	
339	Screw	15-171-074-007	
340	Screw	00-611-289-380	
341	Nut	00-631-059-104	
342	Lk. Washer	00-655-047-140	
343	Nut	00-633-025-116	

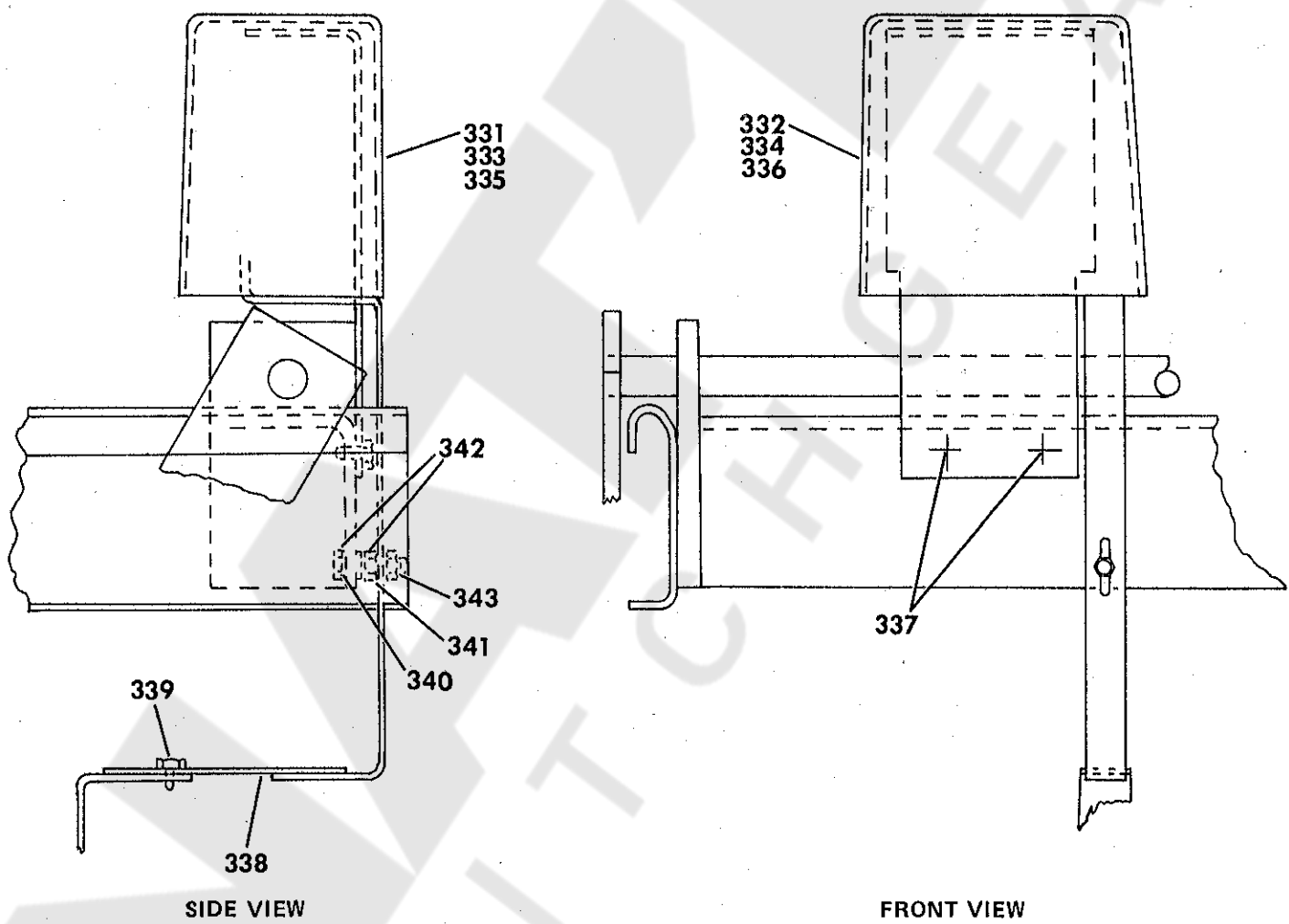


Figure 10. LA-600A/800A/1600A Undervoltage Trip Group



## STATIC TRIP GROUP

The following item numbers refer to figure 11, and are common parts used on both the LA-600A — LA-800A and the LA-1600A Circuit Breakers, except as noted.

ITEM	DESCRIPTION	PART NUMBER	USAGE Ordering Part Number
360	Type TI Static Trip	18-468-194-501	18-657-393-501
361	Type TS Static Trip	18-468-194-502	18-657-393-502
362	Type TSI Static Trip	18-468-194-503	18-657-393-503
363	Type TIG Static Trip	18-468-194-504	18-657-393-504
364	Type TSG Static Trip	18-468-194-505	18-657-393-505
365	Type TSIG Static Trip	18-468-194-506	18-657-393-506
366	Type TIG-T Static Trip	18-468-194-507	18-657-393-507
367	Type TSG-T Static Trip	18-468-194-508	18-657-393-508
368	Type TSIG-T Static Trip	18-468-194-509	18-657-393-509
369	Bracket	18-388-433-001	
370	Terminal Block	15-171-051-005	
371	Standoff Screw	18-657-465-036	
372	Terminal Screw	18-657-465-035	
373	Lk. Washer	00-655-047-060	
374	Cover	18-657-822-165	
375	Marking Strip	15-171-052-004	
376	Capacitor	15-171-029-013	
377	Terminal	00-851-062-023	
378	Washer	00-651-027-050	
379	Screw	00-615-641-903	
380	Screw	00-615-577-172	
381	Screw	00-611-461-371	LA-600A
		00-611-461-375	LA-1600A
382	Nut, spacer	00-631-003-106	LA-1600A
383	Label	18-657-822-350	

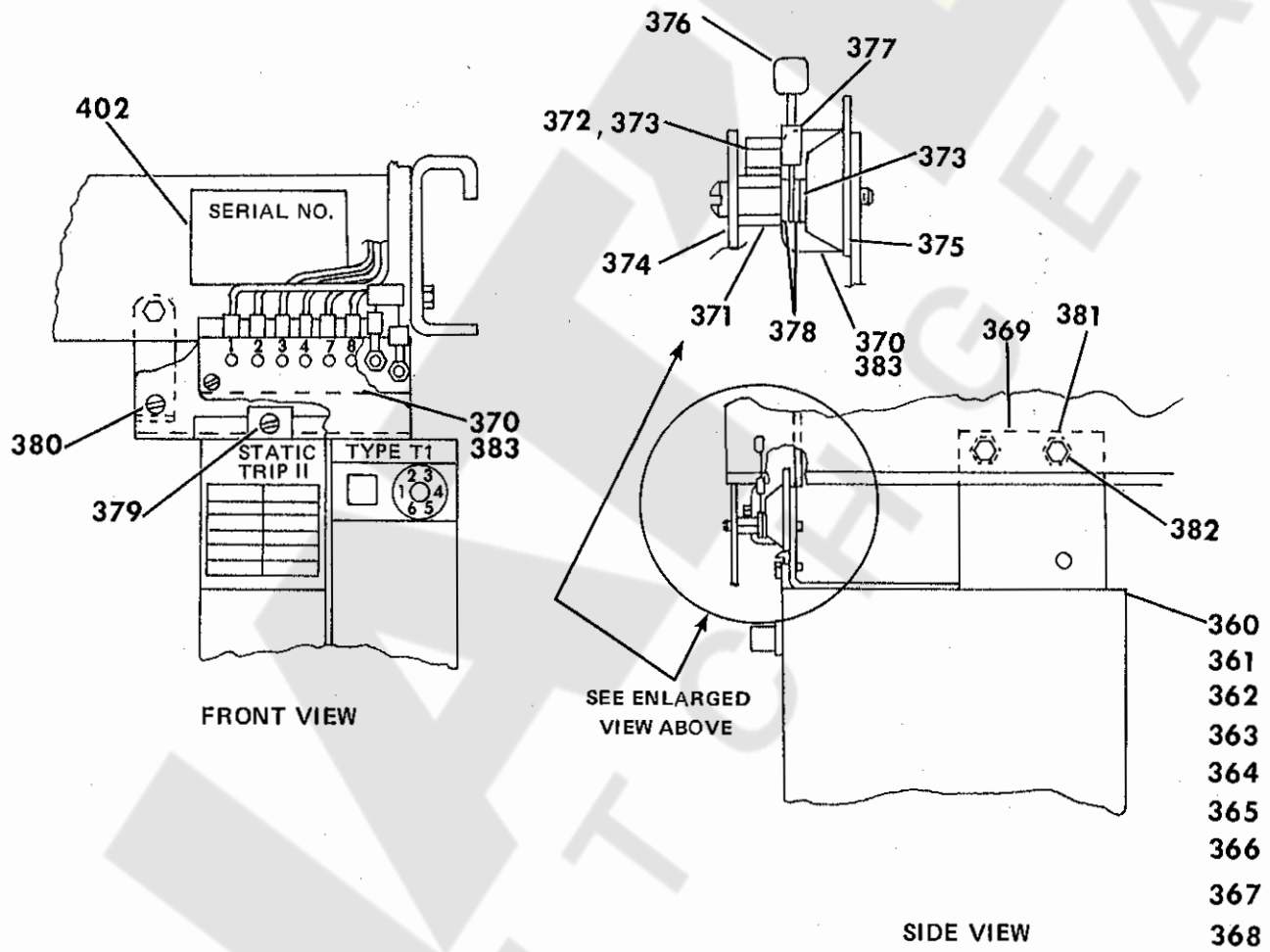


Figure 11. Static Trip Group

## LA-600A TRIPPING CURRENT TRANSFORMER GROUP

The following item numbers refer to figure 12, and apply to the LA-600A Circuit Breaker only.

ITEM	DESCRIPTION	PART NUMBER	USAGE
390	Current Transformer 80/1	61-300-030-508	
391	Current Transformer 200/1	61-300-030-507	
392	Current Transformer 400/1	61-300-030-504	
393	Current Transformer 600/1	61-300-030-505	
393A	Current Transformer 800/1	61-300-030-509	LA-800A
395	Wire Splice	15-171-071-009	
396	Terminals	00-851-062-017	
397	Barrier	18-657-784-015	LA-600A
398	CT Washer	71-141-915-001	LA-600A
399	Support 8/07	71-141-916-001	
400	Wedge	18-657-802-047	Stationary only
401	Wedge	18-657-802-048	Stationary only

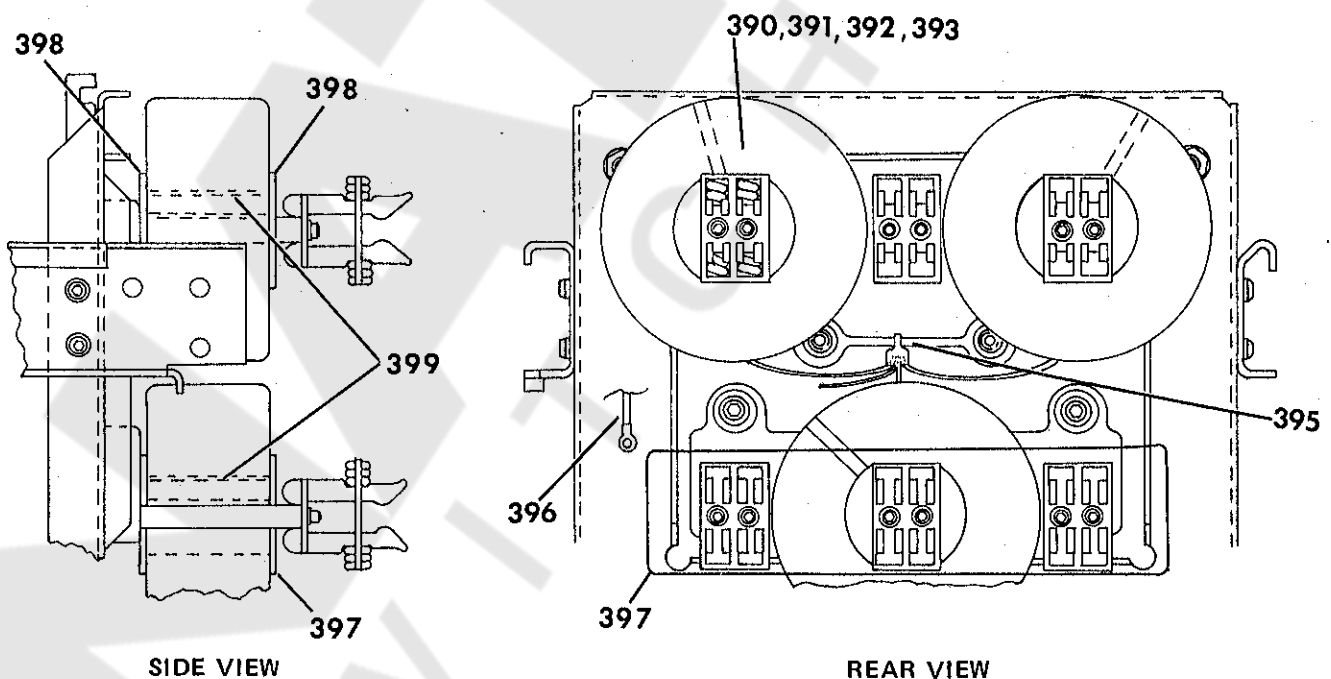


Figure 12. LA-600A – LA-800A Tripping Current Transformer Group

## LA-1600A TRIPPING CURRENT TRANSFORMER GROUP

The following item numbers refer to figure 13, and apply to the LA-1600A Circuit Breaker only.

ITEM	DESCRIPTION	PART NUMBER	USAGE
390	Current Transformer 200/1	61-300-031-513	
391	Current Transformer 400/1	61-300-031-502	
392	Current Transformer 800/1	61-300-031-508	
393	Current Transformer 1600/1	61-300-031-505	
395	Wire Splice	15-171-071-009	
396	Terminal	00-851-062-017	
398	CT Washer	71-142-107-001	
399	Support	71-142-108-001	
400	Wedge	18-657-802-047	Stationary only
401	Wedge	18-657-802-048	Stationary only

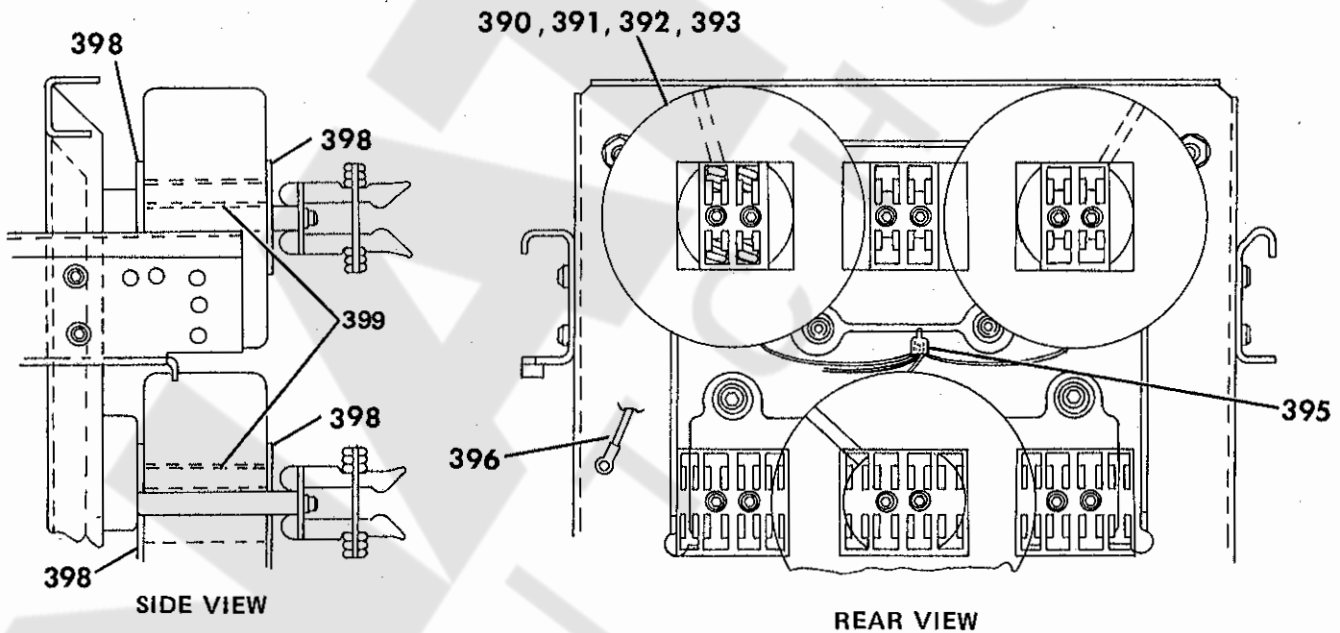


Figure 13. LA-1600A Tripping Current Transformer Group

FUSE ATTACHMENT GROUP LA-600A – LA-800A BREAKER

The following item numbers refer to figure 14, and apply to the LA-600AF Circuit Breaker only.

ITEM	DESCRIPTION	PART NUMBER	USAGE
420	Insulator	18-728-055-001	
421	Connector	18-657-802-075	
422	Bracket	71-240-593-001	
423	Bracket	71-240-593-002	
424	Lifting Bar	72-140-020-001	
425	Screws	15-615-024-604	
426	Nut	00-631-171-104	
427	Lk. Washer	00-655-017-026	
428	Screw	00-611-315-382	
429	Washer	00-651-007-160	
430	Screw	00-615-114-380	
431	Screw	00-615-114-382	
432	Barrier	18-657-784-014	
436	CL Fuse 250 Amp	71-142-200-001	
437	CL Fuse 400 Amp	71-142-200-002	
438	CL Fuse 600 Amp	71-142-200-003	
439	CL Fuse 800 Amp	71-142-200-004	
440	CL Fuse 1000 Amp	71-142-200-013	
441	CL Fuse 1200 Amp	71-142-200-005	
442	CL Fuse 1600 Amp	71-142-200-006	
443	Strap	71-142-171-001	Above 1000A fuses
444	Screw	00-611-315-421	Under 400A fuses
445	Washer	00-651-007-900	Under 400A fuses
446	Lk. Washer	00-655-017-030	Under 400A fuses
447	Screw	00-611-315-546	Above 600A fuses
448	Washer	00-651-007-300	Above 600A fuses
449	Lk. Washer	00-655-017-036	Above 600A fuses
460	Trigger Fuse Assembly	18-392-070-501	See Separate List
461	Primary Finger Assembly	71-240-055-512	Upper only. Fused.
462	Label	18-657-523-014	

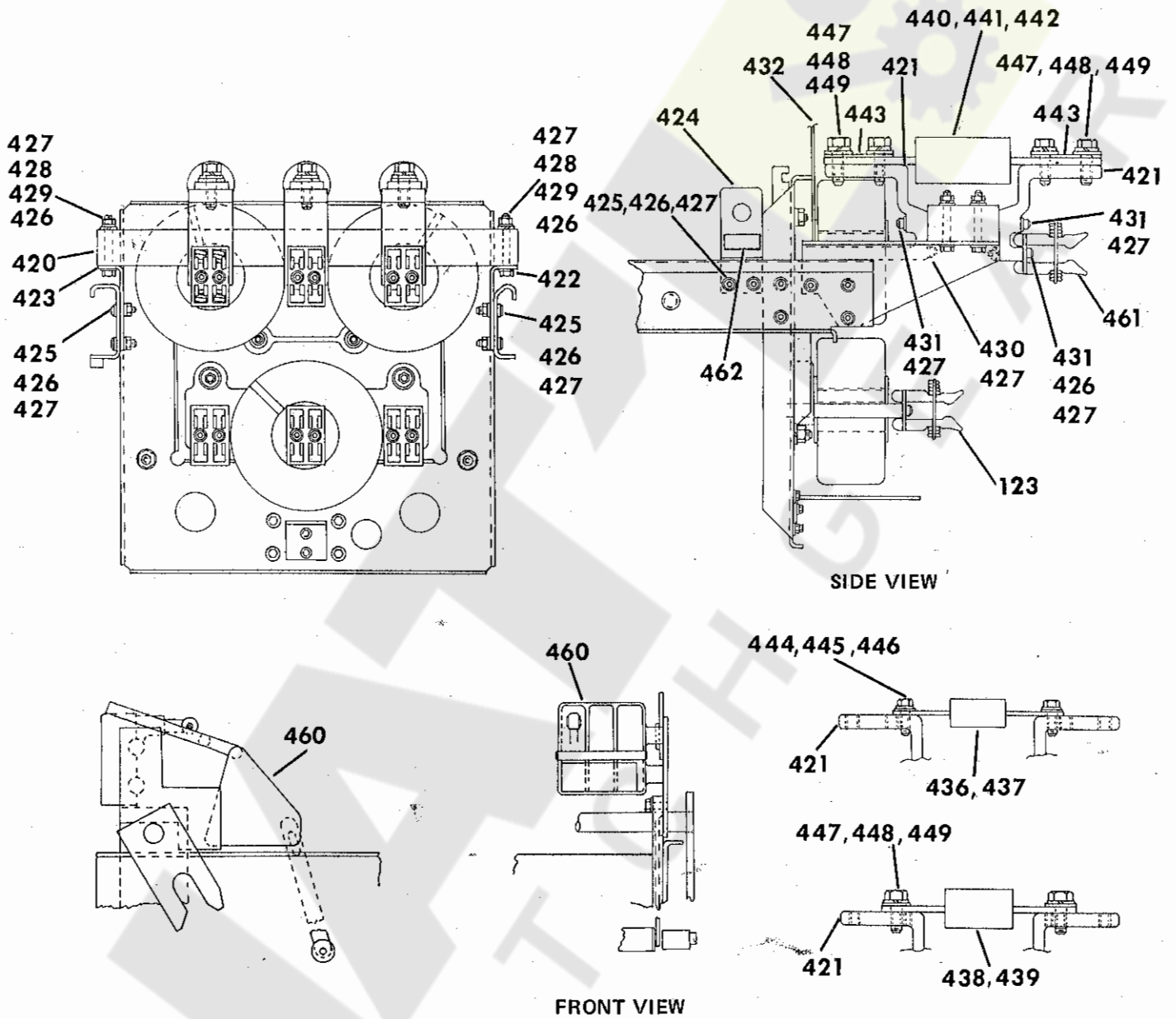


Figure 14. Fuse Attachment Group LA-600A – LA-800A Breaker



## FUSE ATTACHMENT GROUP LA-1600A BREAKER

The following Item numbers refer to figure 15, and apply to the LA-1600AF Circuit Breaker only.

ITEM	DESCRIPTION	PART NUMBER	USAGE
420	Insulator	18-728-054-001	
421	Connector	18-726-465-001	
422	Bracket	71-240-594-001	
423	Bracket	71-240-594-002	
424	Lifting Bar	71-142-306-001	
425	Screw	15-615-024-004	
426	Nut	00-631-171-104	
427	Lk. Washer	00-655-017-026	
428	Screw	00-611-315-386	
429	Washer	00-651-007-147	
430	Screw	00-615-114-380	
431	Screw	00-611-315-380	
432	Barrier	71-142-180-001	
433	Plastic Rivet	00-671-501-030	
435	Lk. Washer	00-655-017-032	
436	CL Fuse 800 Amp	71-142-200-004	
437	CL Fuse 1000 Amp	71-142-200-013	
438	CL Fuse 1200 Amp	71-142-200-005	
439	CL Fuse 1600 Amp	71-142-200-006	
440	CL Fuse 2000 Amp	71-142-200-007	
441	CL Fuse 2500 Amp	71-142-200-008	
442	CL Fuse 3000 Amp	71-142-200-009	
447	Screw	00-611-315-544	1000/1200A Fuses
448	Screw	00-611-315-546	800/1600/2000A Fuses
449	Screw	00-611-315-548	2500/3000A Fuses
450	Strap	71-142-171-002	Except 800A Fuses
451	Washer	00-651-007-300	800A Fuses
452	Lk. Washer	00-655-017-036	
454	Nut	00-631-059-106	
455	Screw	00-611-315-465	
460	Trigger Fuse Assem.	18-392-070-501	See Separate List
461	Finger Assembly	71-240-055-513	Fused
462	Label	18-657-523-014	

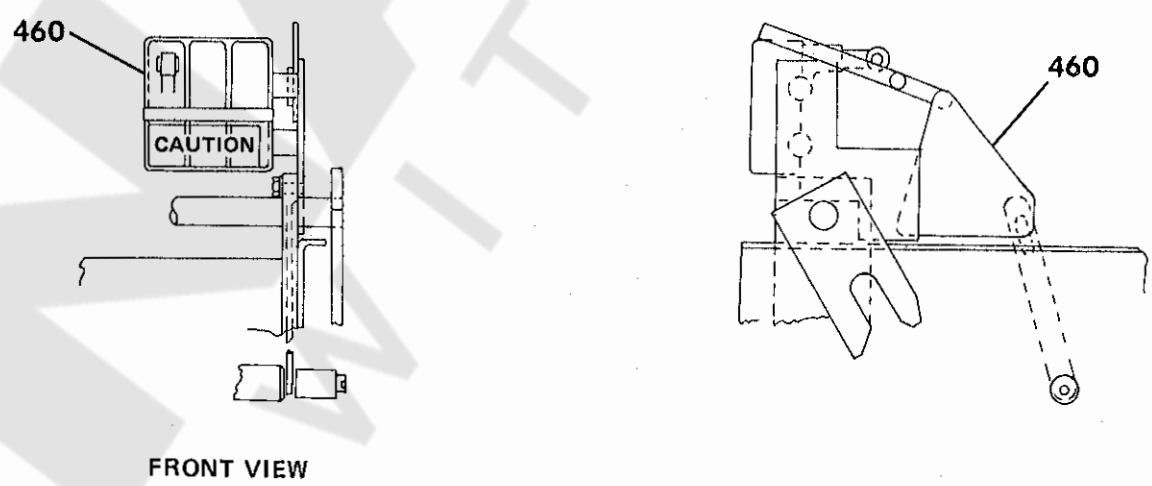
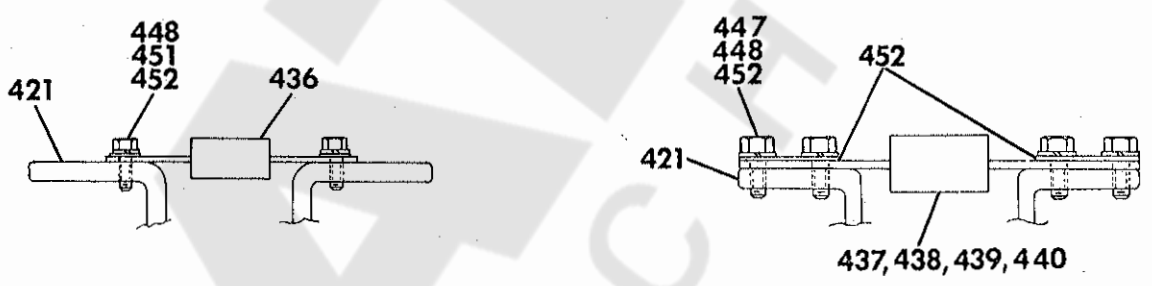
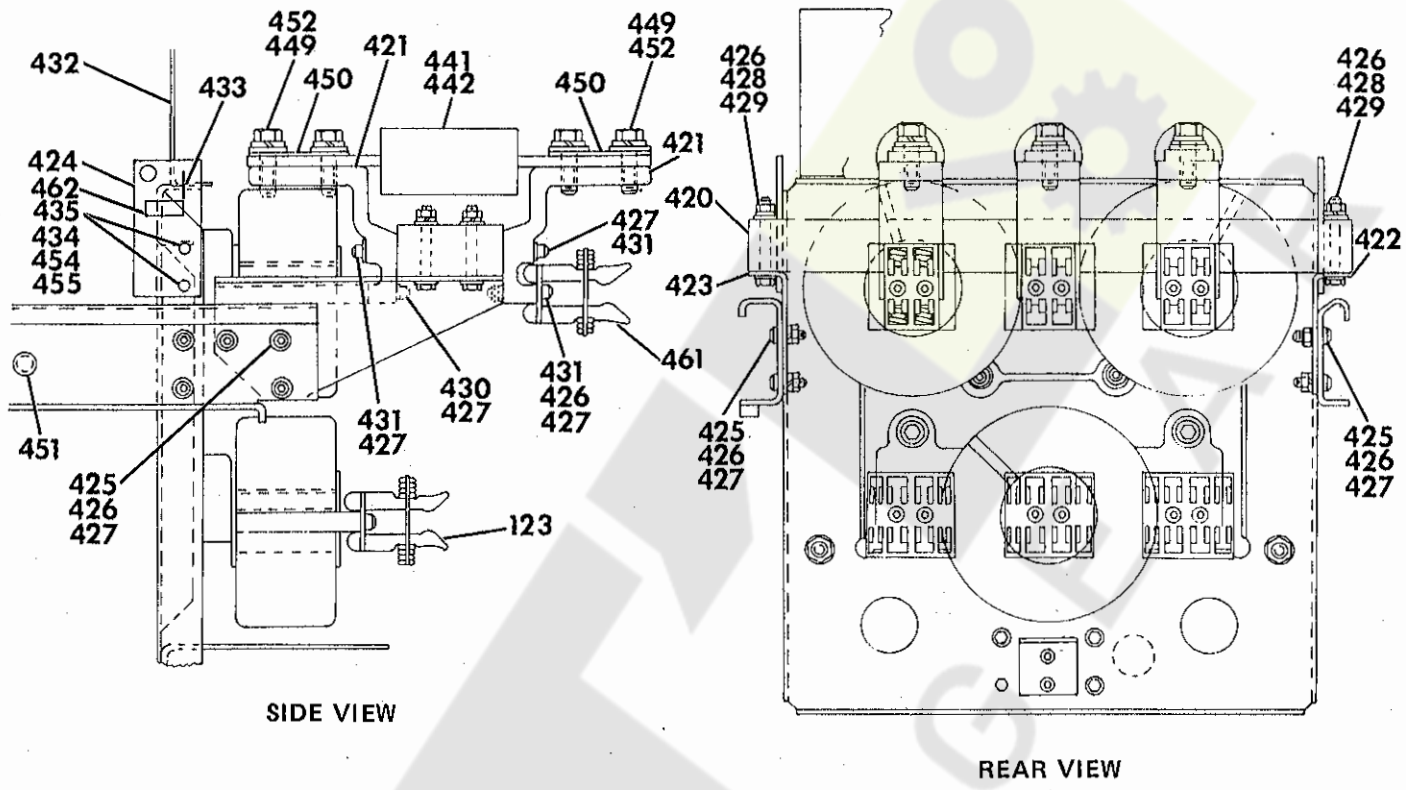


Figure 15. Fuse Attachment Group LA-1600A Breaker

## ANTI-SINGLE PHASE DEVICE, TRIGGER FUSE ASSEMBLY

The following items refer to figure 16, and apply to both the LA-600AF — LA-800AF and the LA-1600AF Circuit Breakers.

ITEM	DESCRIPTION	PART NUMBER	USAGE
1	Housing	71-240-600-001	
2	Lever	71-142-185-001	
3	TF Pin	71-115-468-004	
4	Washer	00-651-017-135	
5	Retainer	00-673-243-007	
6	Screw	00-611-435-371	
7	Clip	00-871-262-103	
8	Faston Tab	00-851-609-006	
9	Screw	00-615-641-904	
10	Terminal	00-851-011-046	
11	Wire #12	00-557-863-363	
12	Trigger Fuse	72-140-317-001	
13	Cover	71-240-599-001	
14	Clip	71-142-192-001	
15	TF Base	18-725-948-501	
16	TF Trip Link	18-657-800-328	
17	TF Toggle one	18-657-800-127	
18	TF Toggle two	18-657-800-128	
19	TF Plate	18-657-800-129	
20	TF Link	18-657-800-130	
21	Perma-nut	15-171-035-001	
22	Perma-nut	15-171-035-002	
23	Screw	15-171-399-025	
24	Screw	15-171-399-019	
25	Spring	71-113-503-001	
26	Nut	00-633-059-210	
27	Screw	00-617-349-248	
28	Nut	00-633-057-110	
29	Faston Terminal	00-851-470-904	
30	Label	15-171-185-001	
31	Washer	00-651-017-903	
32	Rollpin	00-671-177-185	

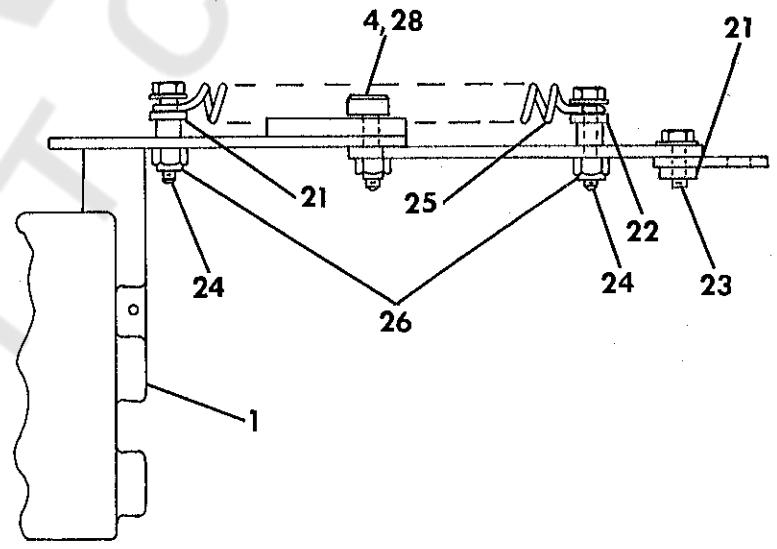
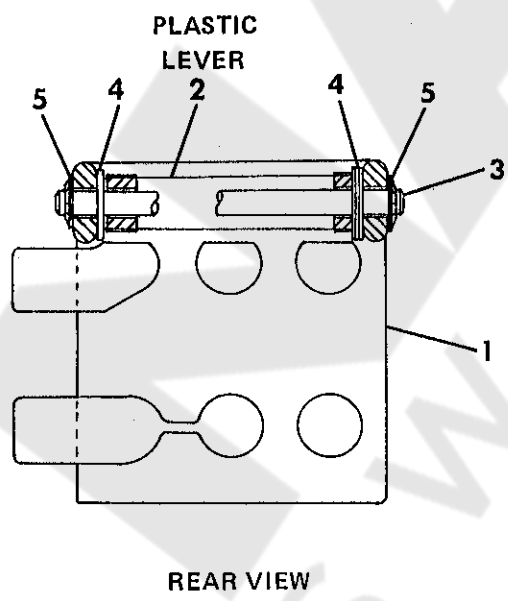
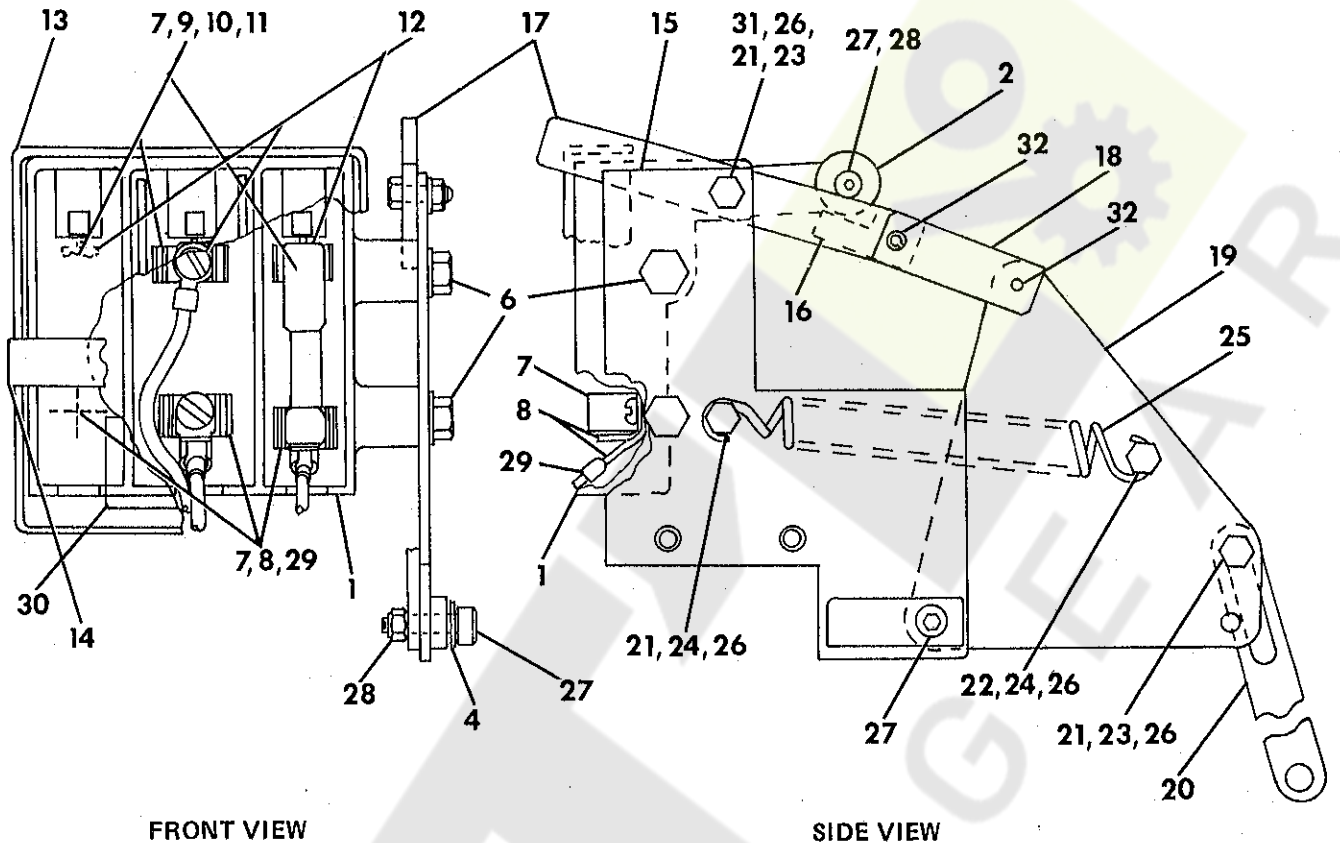


Figure 16. LA-600AF/800AF/1600AF Anti-single Phase Device, Trigger Fuse Assembly

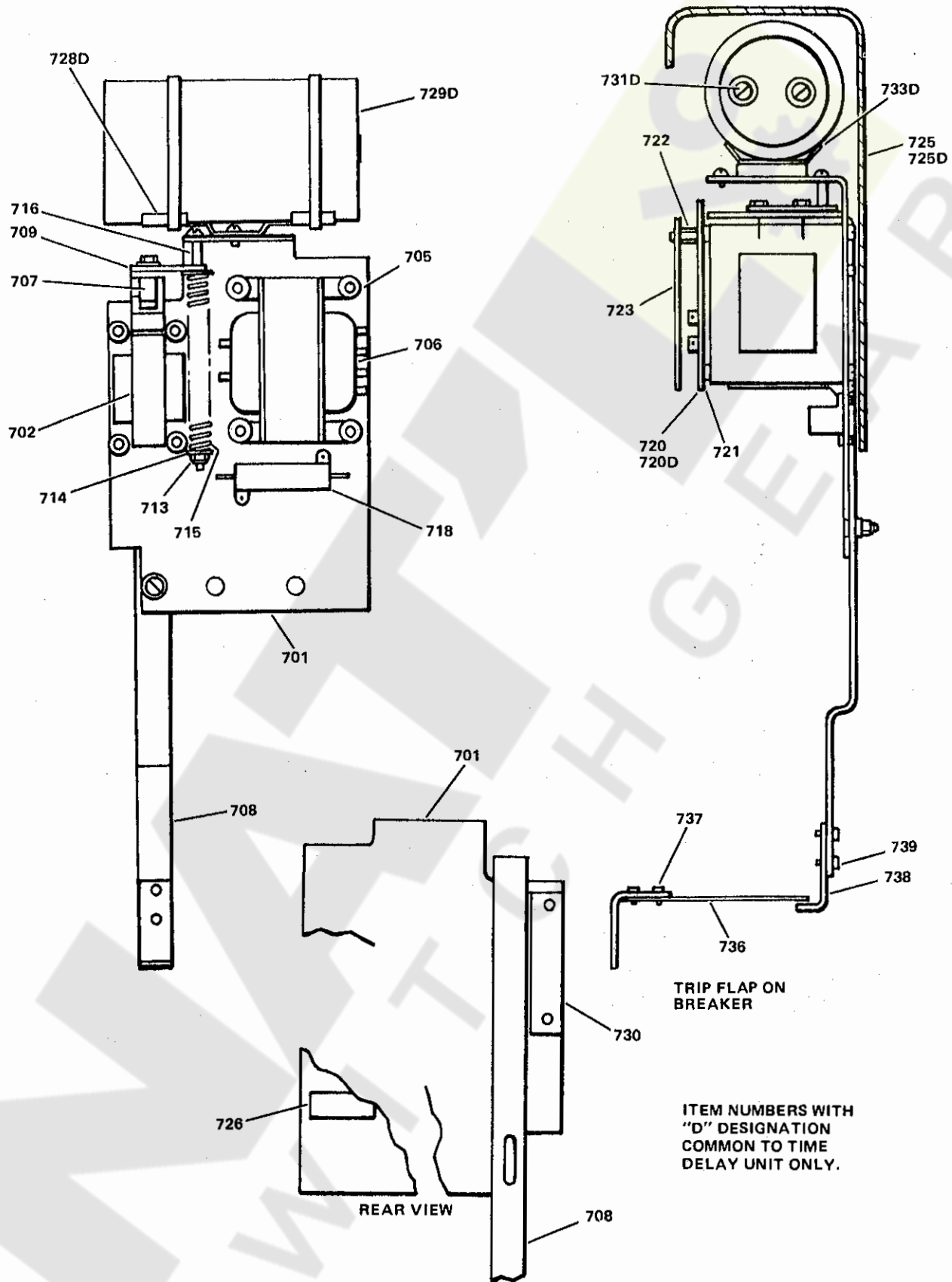


Figure 17. Undervoltage Trip With and Without Time Delay

ITEM	DESCRIPTION	PART NUMBER
701	UV Base	18-395-032-001
703	Solenoid	18-724-513-007
705	Spacer	18-657-838-298
706	Transformer	15-171-194-001
707	Block	18-657-838-297
708	UV Link	18-727-850-001
709	Plate	18-657-838-296
713	EI Stop Nut	00-633-059-210
714	Centering Washer	14-105-442-001
715	Spring	18-657-840-381
716	Screw	15-171-399-038
718	Resistor	15-71-046-015
720	Circuit Bd.	18-395-370-502
720D	Circuit Bd.	18-395-370-501
721	Indulator Shield	18-657-840-380
722	Stand Off	18-657-465-036
723	Sub-Cover	18-657-838-295
725	Cover	18-395-033-001
725D	Cover	18-395-033-002
726	Name Plate	18-657-840-382
728D	Cap. Bracket	18-729-233-001
729D	Capacitor	15-171-029-016
730	Guide Plate	18-657-853-256
731D	Screws (.25-28) .38	00-615-485-369
733D	Indulator	18-657-854-183
736	Flapper Extension	18-657-854-174
737	Screw #6-32	15-171-074-007
738	Link End	18-657-838-299
739	Screw #10-32 (.5)	15-171-399-010