

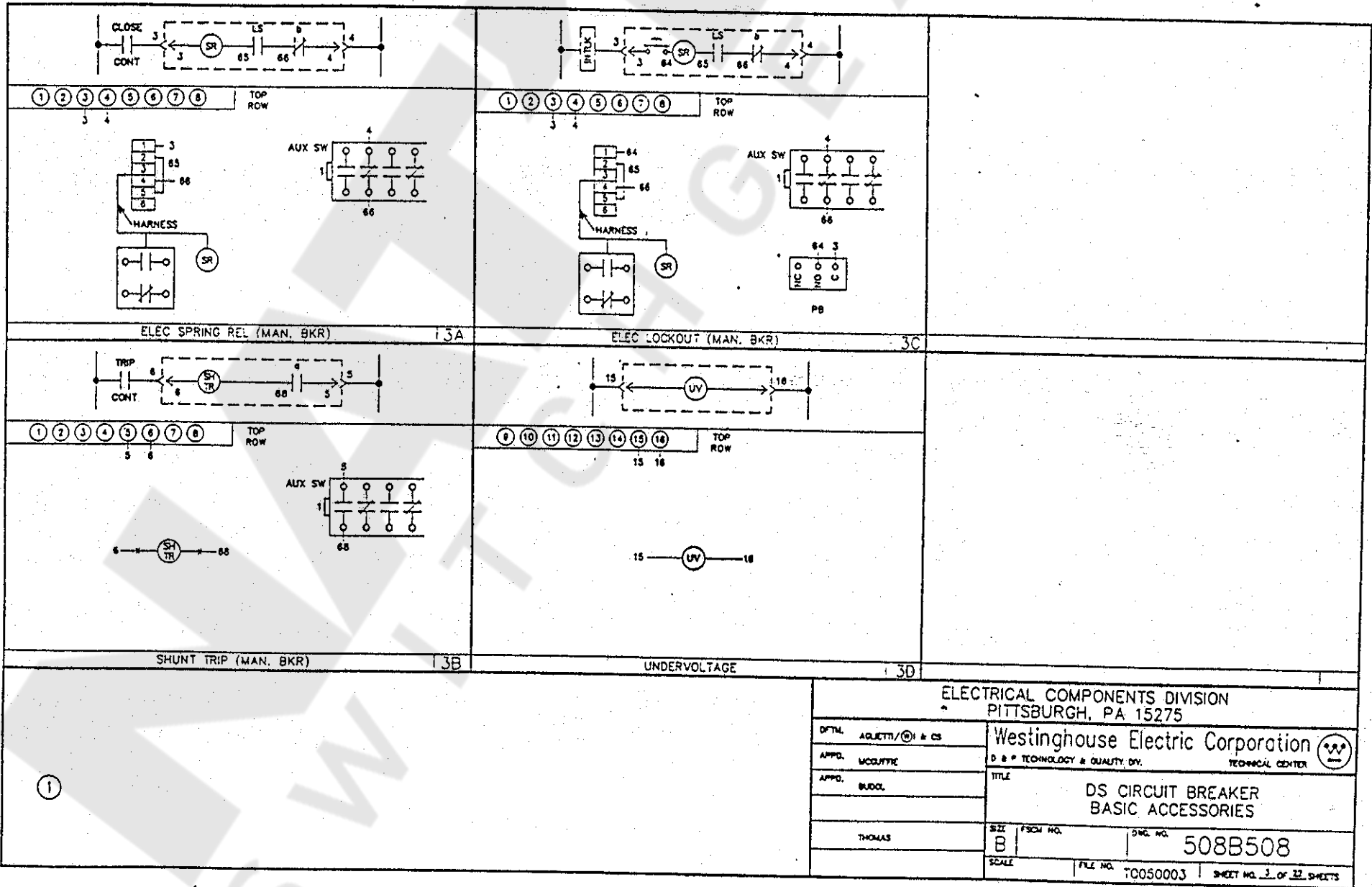
ELECTRICAL COMPONENTS DIVISION
PITTSBURGH, PA 15275

Westinghouse Electric Corporation
D & P TECHNOLOGY & QUALITY DIV. TECHNICAL CENTER

TITLE
DS CIRCUIT BREAKER
SERIES TRIP, 3P DIGITRIP
AMPT. I & AMPT. II

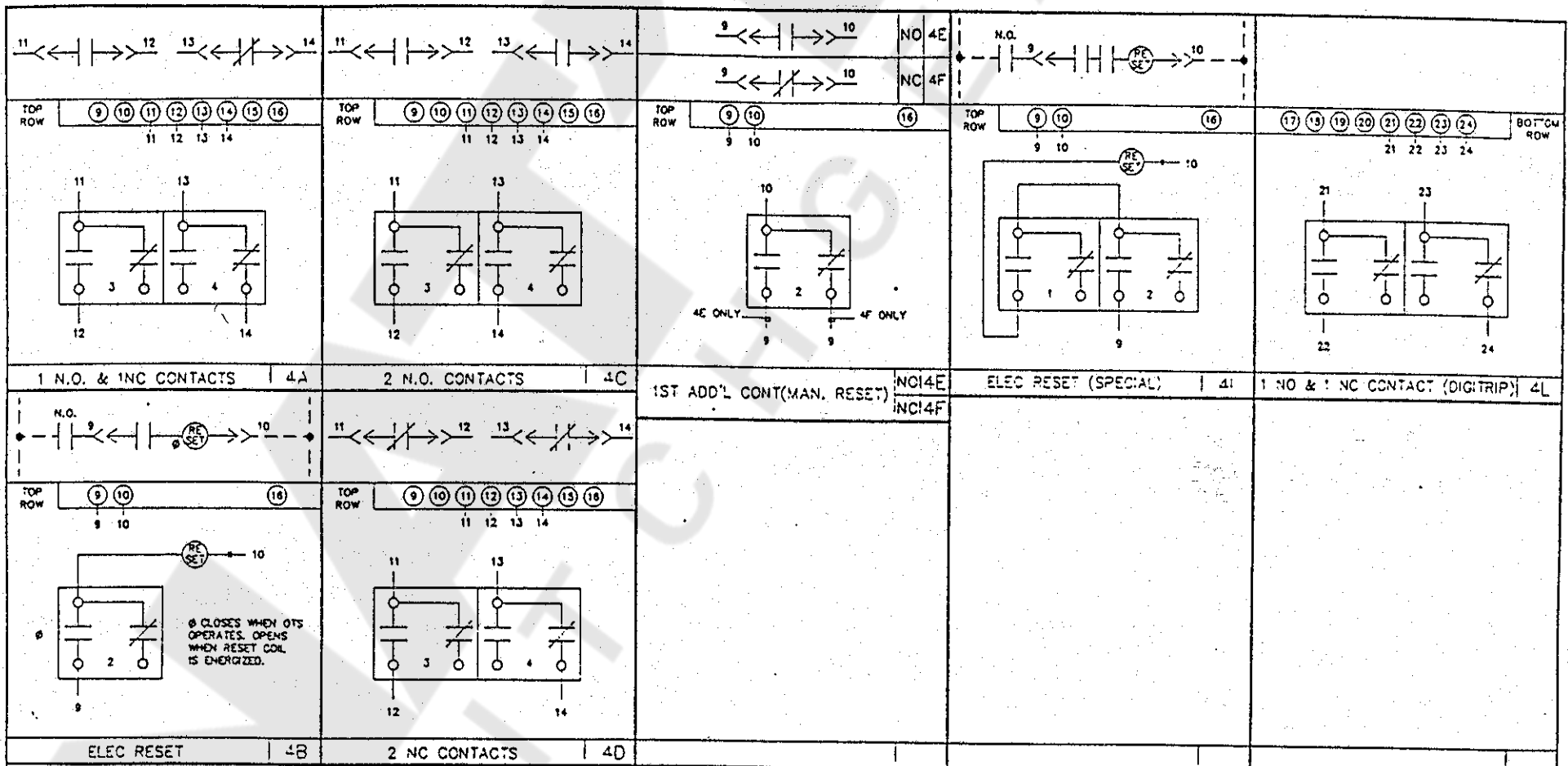
SIZE PSCH NO. 31 DWG. NO. 508B508

SCALE FILE NO. TQC50002 SHEET NO. 1 OF 22 SHEETS



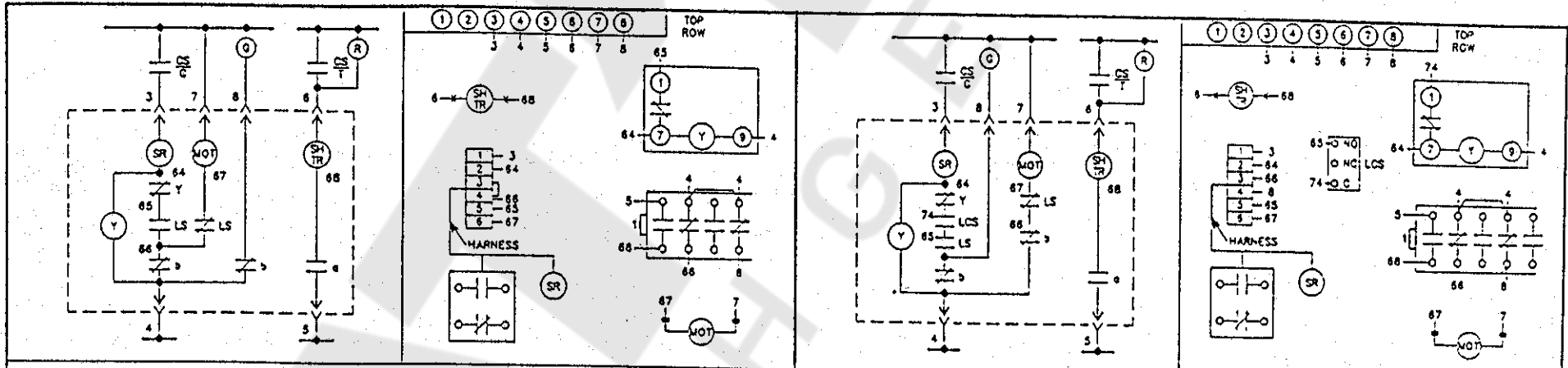
1

ELECTRICAL COMPONENTS DIVISION PITTSBURGH, PA 15275		
DFTM. ADJUTTI/© & CS	Westinghouse Electric Corporation	
APPD. MCCOFFEE	D & P TECHNOLOGY & QUALITY, DIV. TECHNICAL CENTER	
APPD. BUDD	TITLE	
	DS CIRCUIT BREAKER BASIC ACCESSORIES	
THOMAS	SIZE FROM NO. B	DWG. NO. 508B508
	SCALE	FILE NO. T0050003 SHEET NO. 3 OF 32 SHEETS



ELECTRICAL COMPONENTS DIVISION
PITTSBURGH, PA 15275

DFTM. AGLETTI/CS & CS APPD. WCOFFTE APPD. BRDOL THOMAS	Westinghouse Electric Corporation D & P TECHNOLOGY & QUALITY DIV. TECHNICAL CENTER TITLE: DS CIRCUIT BREAKER OVERCURRENT TRIP SWITCH (OTS) CONTACTS CHG STATE & LATCH ONLY WHEN AMP'T TRIPS BREAKER SIZE: 1 1/2" x 1 1/2" FILE NO. 508B508 SCALE: FILE NO. TQ050004 SHEET NO. 4 OF 22 SHEETS
---	---

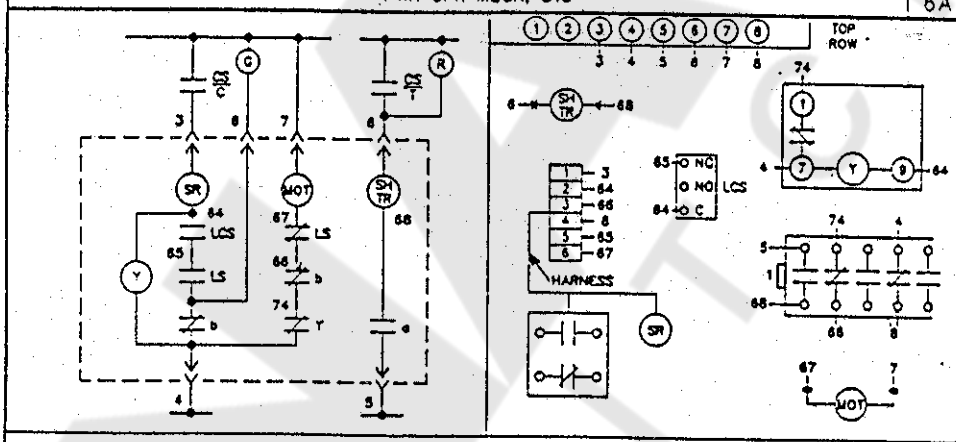


PWR OPR MECH, STD

6A

PWR OPR MECH W/LCS - "Y" CONTACT IN "SR" CKT

6C



PWR OPR MECH, STD W/LCS

6B

ELECTRICAL COMPONENTS DIVISION
PITTSBURGH, PA 15275

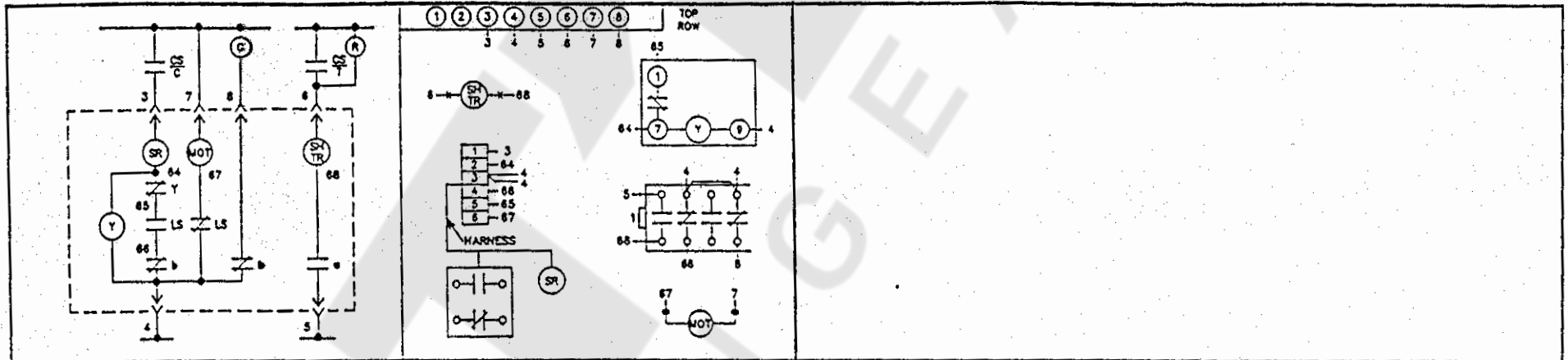
Westinghouse Electric Corporation
D & P TECHNOLOGY & QUALITY DIV. TECHNICAL CENTER

TITLE
DS CIRCUIT BREAKER
PWR OPERATED MECH STD
CL SPRINGS CHARGED AFTER BKR OPENS

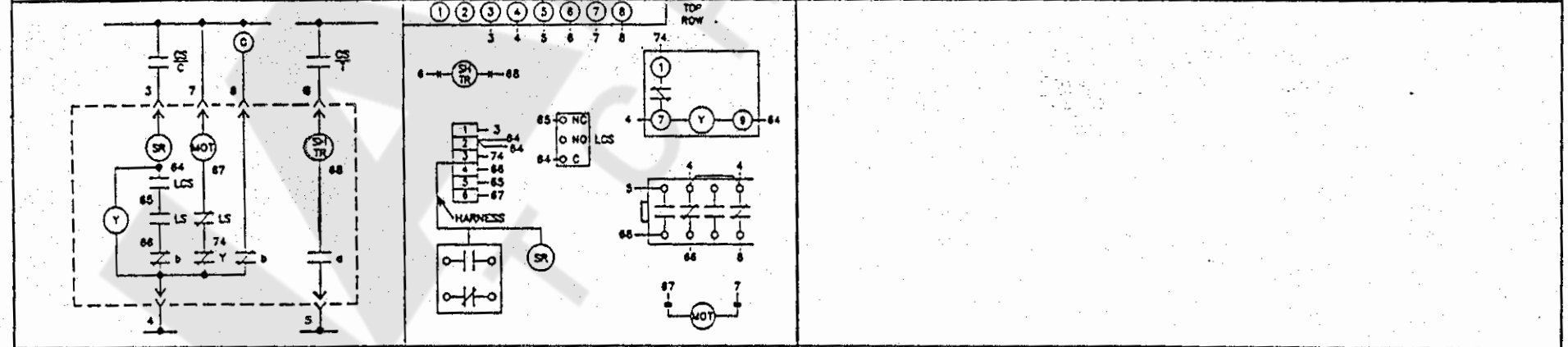
SIZE FROM NO. 81 JWG NO. 5088508

SCALE FILE NO. T0050006 SHEET NO. 1 OF 22 SHEETS

1

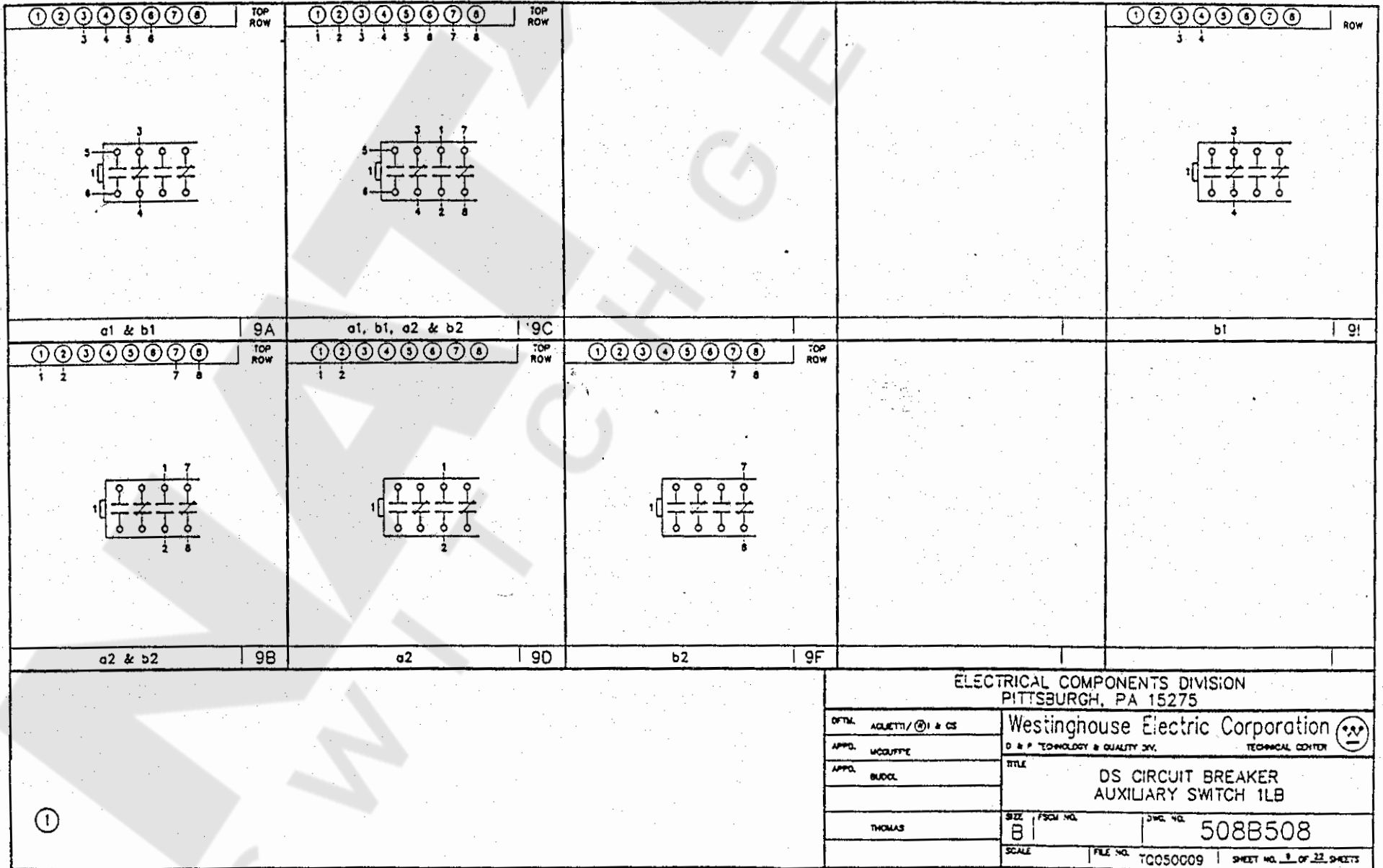


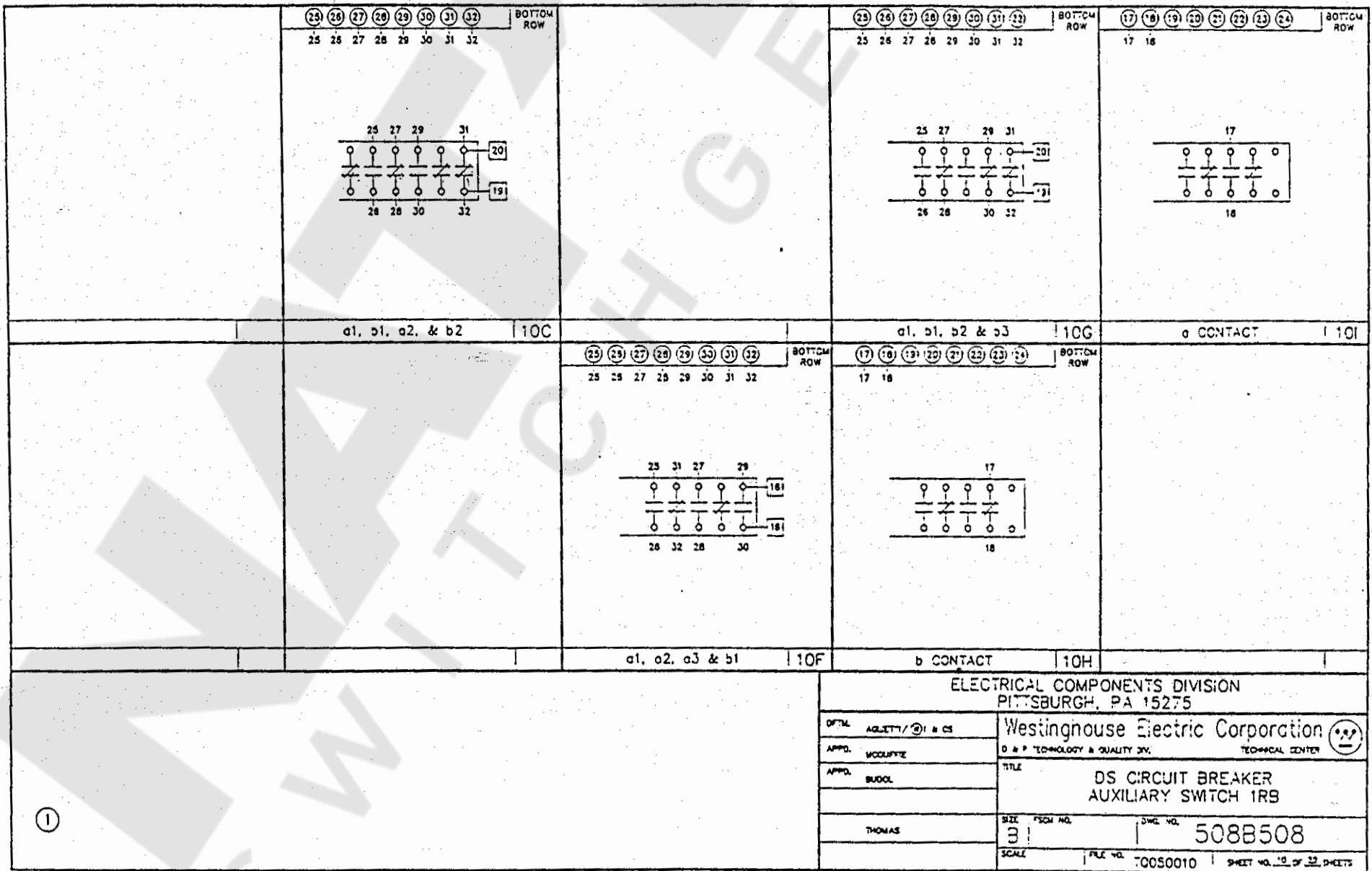
PWR OPR MECH, SPECIAL | 7A

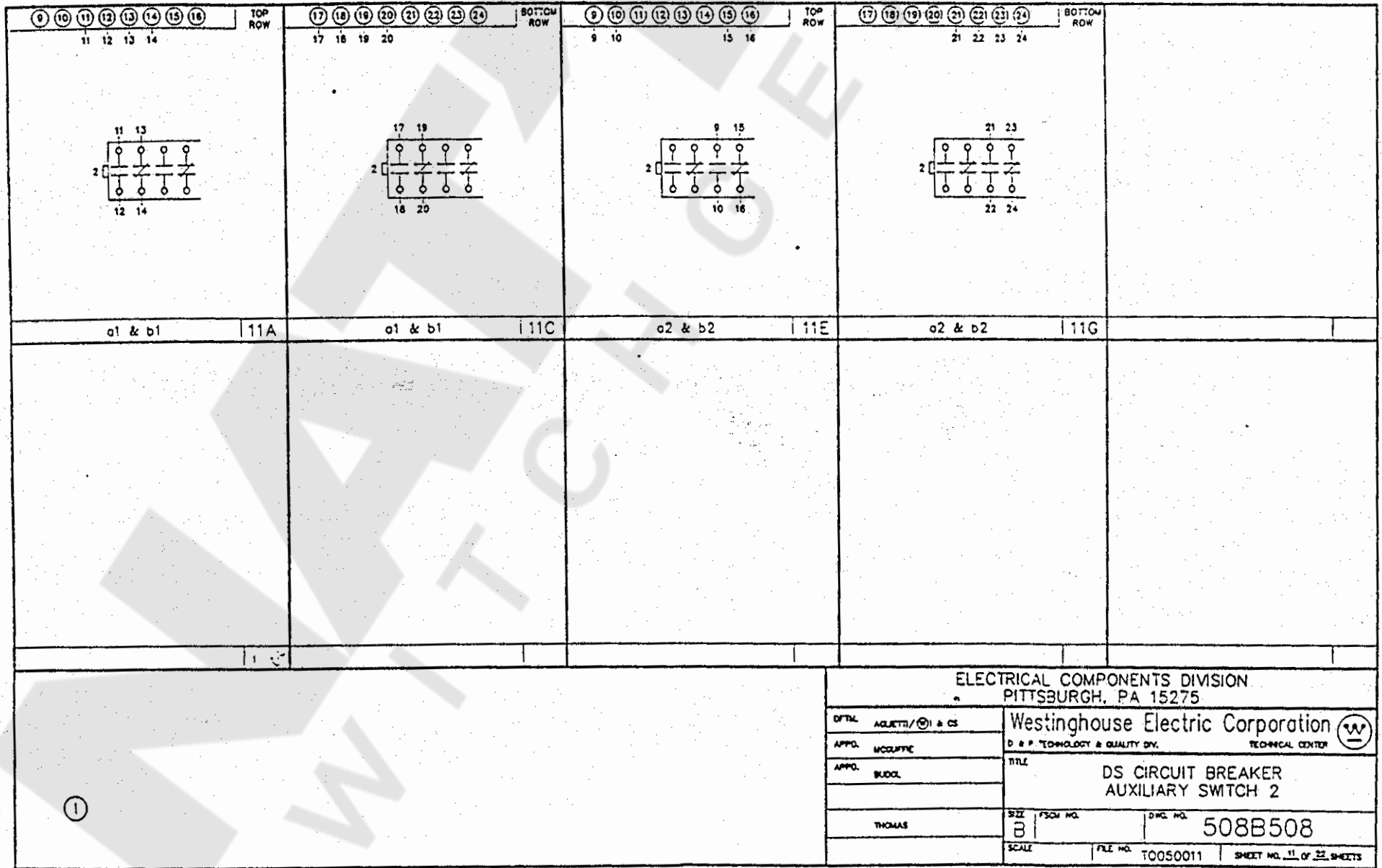


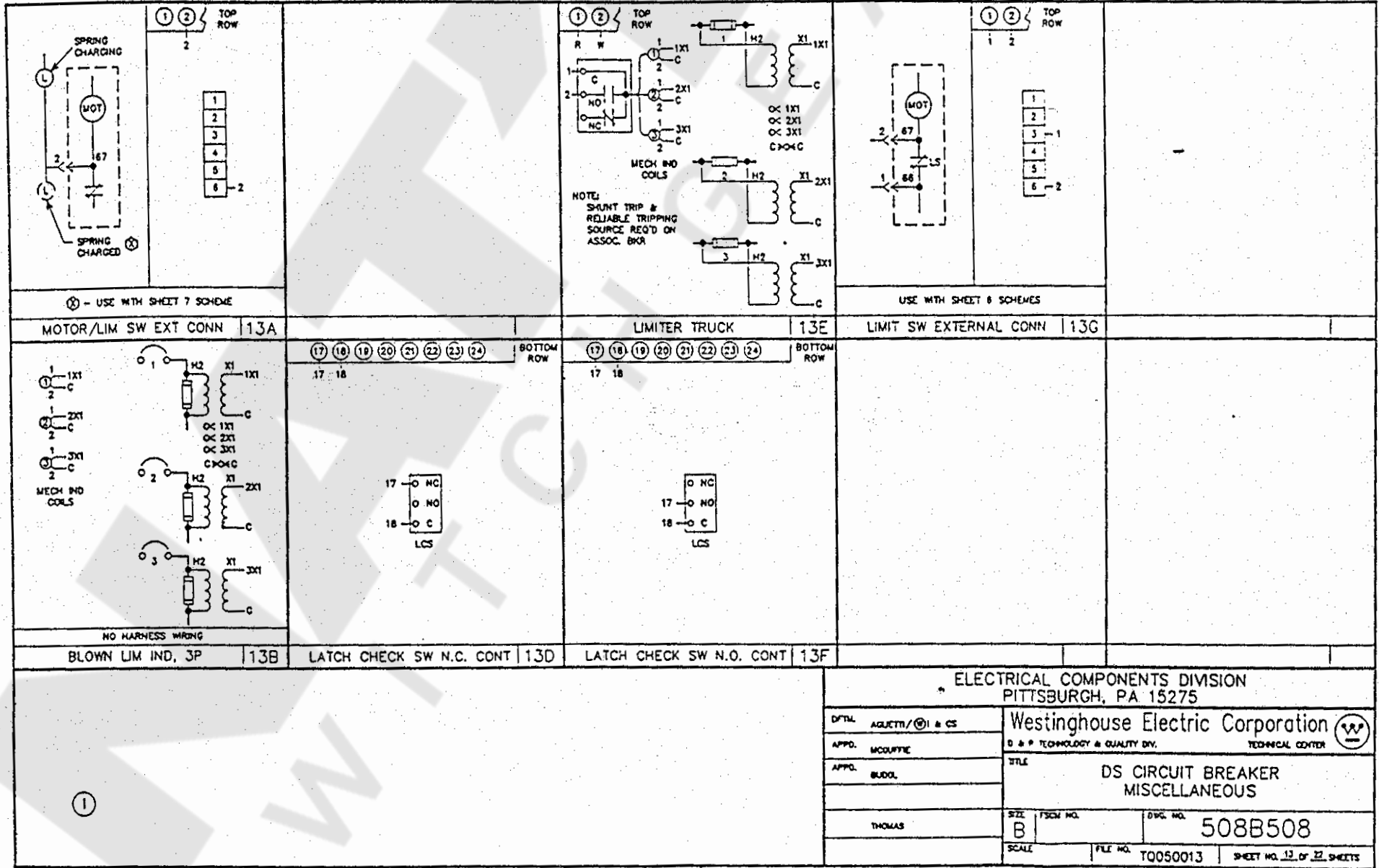
PWR OPR MECH W/LCS, SPECIAL | 7B

ELECTRICAL COMPONENTS DIVISION PITTSBURGH, PA 15275	
DFTL. ADJETTI/©I & CS	Westinghouse Electric Corporation
APPD. MCGUIRE	D & P TECHNOLOGY & QUALITY DIV. TECHNICAL CENTER
APPD. BUOL	TITLE DS CIRCUIT BREAKER PWR OPERATED MECH SPECIAL CL SPRINGS CHARGED AFTER BKR CLOSES
THOMAS	SIZE B FSCM NO. DWG. NO. 508B508
SCALE	FILE NO. TQC50007 SHEET NO. 7 OF 22 SHEETS









ELECTRICAL COMPONENTS DIVISION
PITTSBURGH, PA 15275

Westinghouse Electric Corporation

D & P TECHNOLOGY & QUALITY DIV. TECHNICAL CENTER

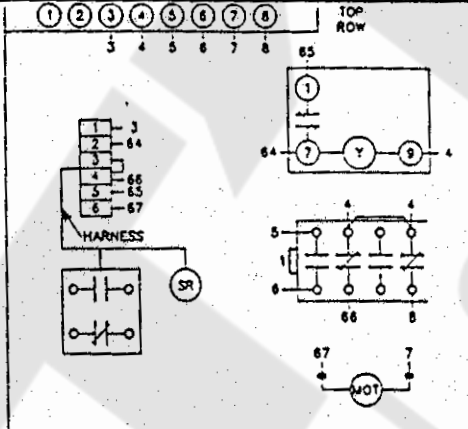
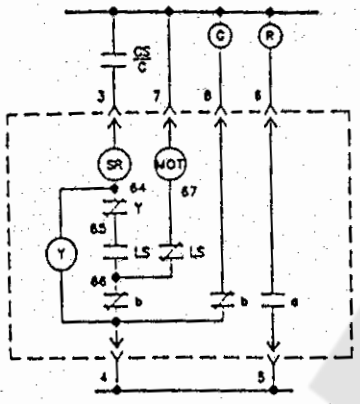
DTL: AGUETH/① & CS
APPD: MCOUPPE
APPD: BUDD

TITLE: DS CIRCUIT BREAKER MISCELLANEOUS

THOMAS

SIZE: B
SCALE: B

FORM NO. []
DWG. NO. 508B508
FILE NO. TQ050013
SHEET NO. 12 of 22 SHEETS



PWR OPR MECH W/D SHUNT TRIP 15A

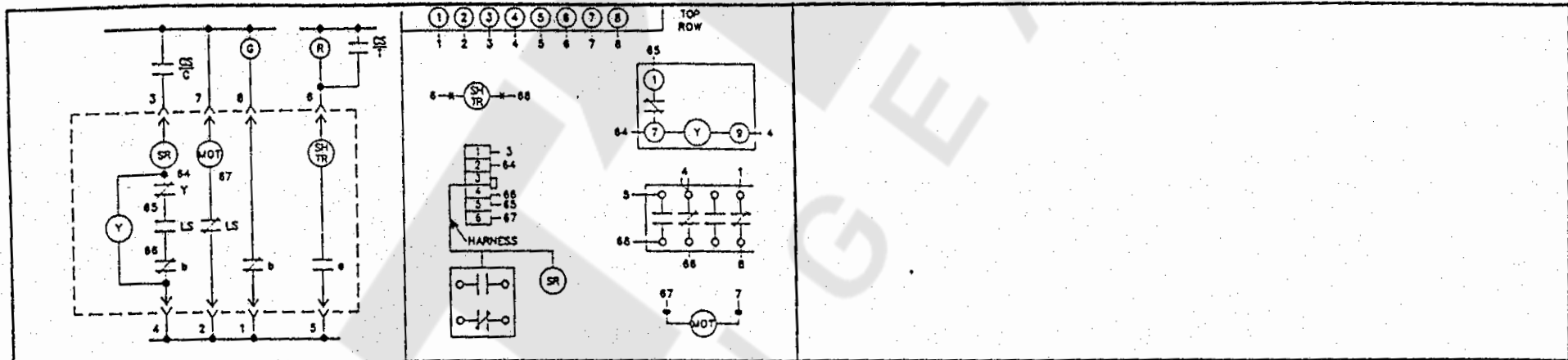
OMIT ONE OF ITEM 9 OR 20 DWG. 8295A08
 SEE FIGURE 2B, 2C, OR 2D
 OMIT STD. SENSOR FRAME
 GND. CONN.— ONE OF ITEM 9 OR 20
 OF DWG. 8295A08
 SEE FIGURE 2B, 2C, OR 2D.

15E

ELECTRICAL COMPONENTS DIVISION
 PITTSBURGH, PA 15275

DTTL ADULTY/CS & CS	Westinghouse Electric Corporation	
APPD. MCCOFFEE	D & F TECHNOLOGY & QUALITY DIV. TECHNICAL CENTER	
APPD. BUDD	TITLE DS CIRCUIT BREAKER SPECIAL	
THOMAS	SIZE B	DWG. NO. 508B508
SCALE	FILE NO. TQ050015	SHEET NO. 15 OF 22 SHEETS

①

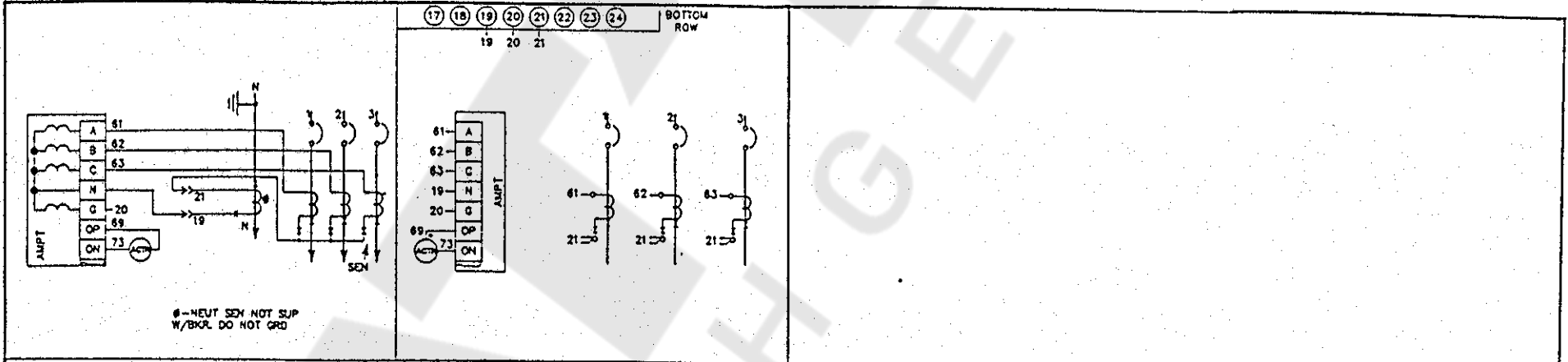


PWR OPR MECH W/MOT ON SEP CONN
 CAUTION: USE ONLY 120 VAC MOTOR WITH 48 VDC SR COIL

16A

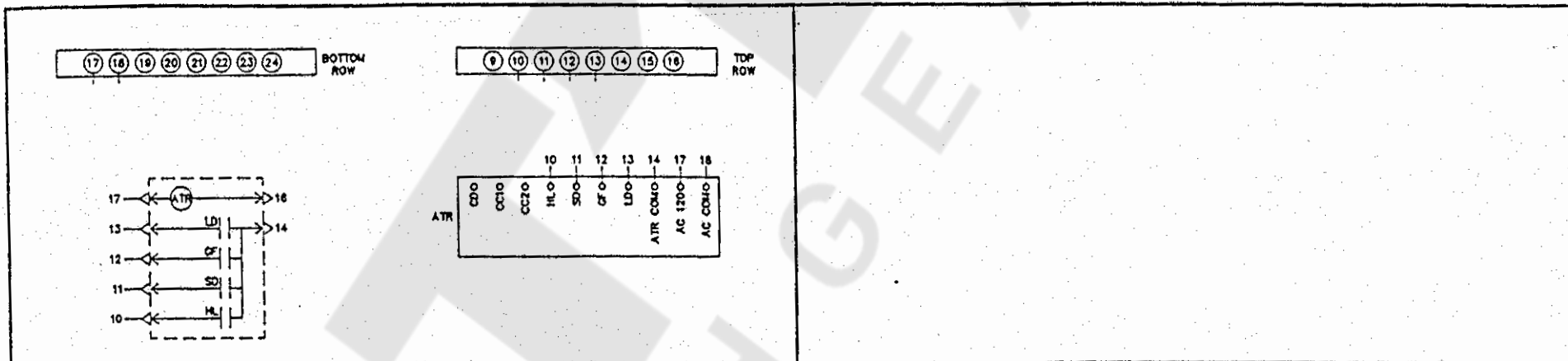
ELECTRICAL COMPONENTS DIVISION
 PITTSBURGH, PA 15275

DFTL	ADULTY/CS	Westinghouse Electric Corporation	
APPD.	WOLFFE	D & P TECHNOLOGY & QUALITY DIV. TECHNICAL CENTER	
APPD.	BUDD	TITLE DS CIRCUIT BREAKER SPECIAL	
THOMAS	SIZE B	FORM NO.	DWG. NO. 508B508
	SCALE	FILE NO. TQ050016	SHEET NO. 16 OF 22 SHEETS

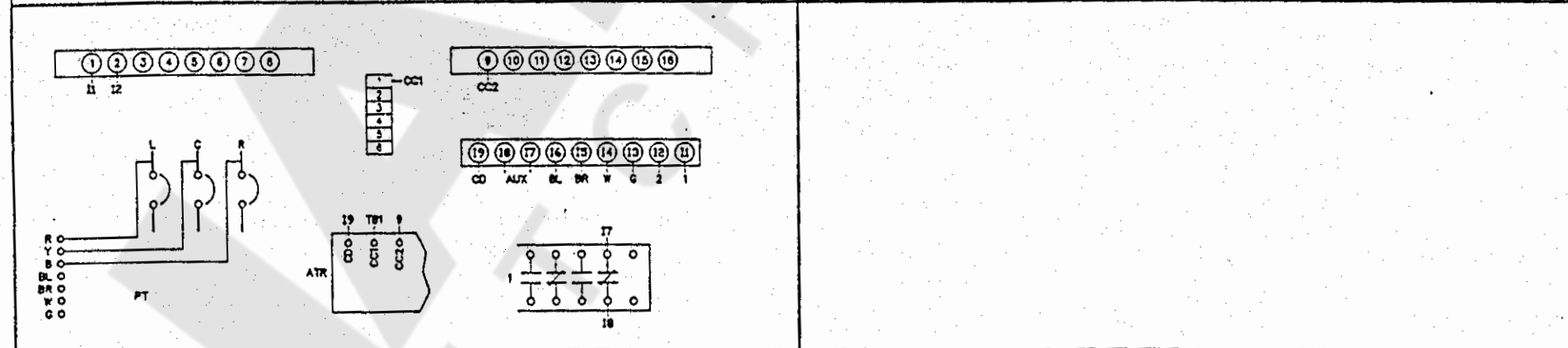


SERIES TRIP WITH GROUND WITH NEUT CONN 17A

①	ELECTRICAL COMPONENTS DIVISION PITTSBURGH, PA 15275		
	DFTM. AQUETTI/Ⓢ & CS		Westinghouse Electric Corporation
	APPR. MCCOFFRE		
	APPR. BUDD		TITLE DS CIRCUIT BREAKER OEM SPECIAL
	THOMAS		SIZE B FSCM NO. DWG. NO. 508B508
		SCALE FILE NO. TQ050017 SHEET NO. 17 OF 22 SHEETS	



DIGITRIP T600 ATR CONNECTIONS 18A



DIGITRIP 700 & 800 18B

ELECTRICAL COMPONENTS DIVISION PITTSBURGH, PA 15275			
DFTN. AQUETH/CS	Westinghouse Electric Corporation		
APPL. MODIFIE	D & P TECHNOLOGY & QUALITY DIV. TECHNICAL CENTER		
APPL. BUDD	TITLE DS CIRCUIT BREAKER RMS DIGITRIP		
THOMAS	SIZE FROM NO. B	DWG. NO. 508B508	
	SCALE	FILE NO. TQ050018	SHEET NO. 18 OF 22 SHEETS