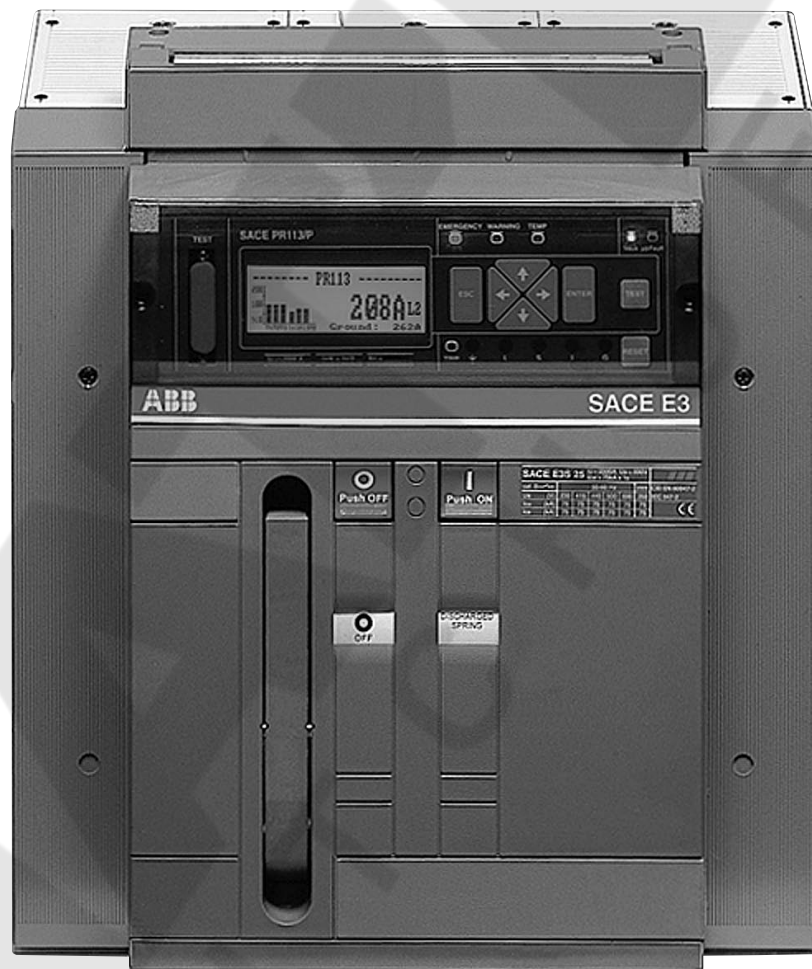


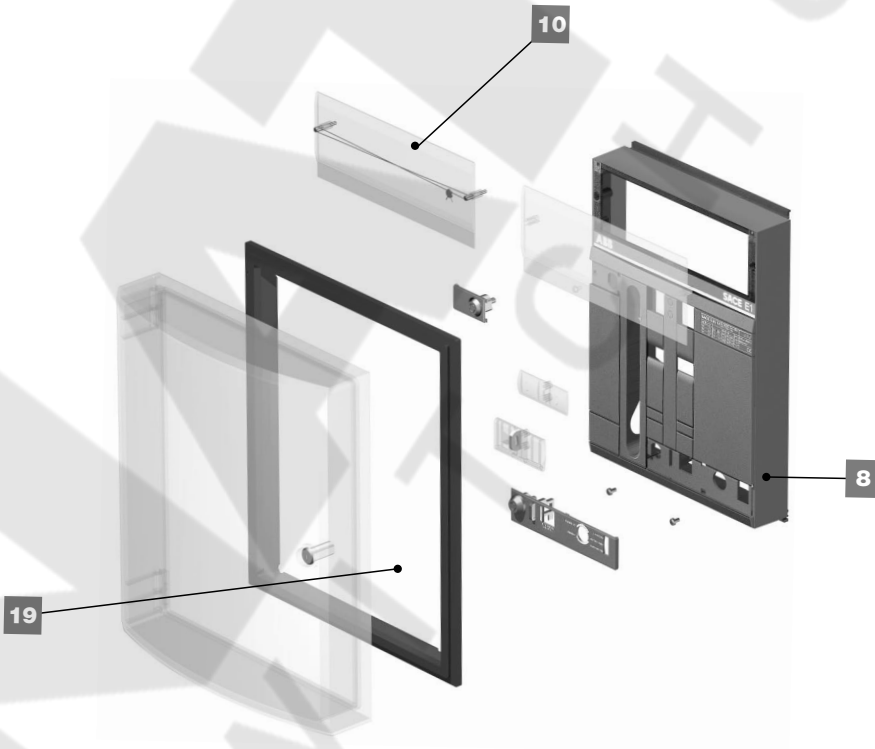
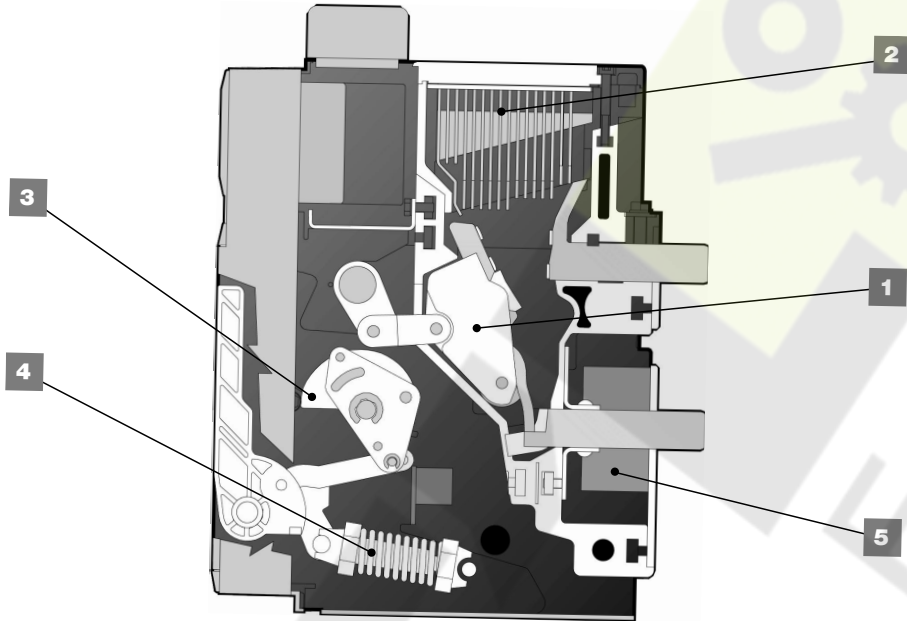


Low voltage air circuit-breakers EMAX series



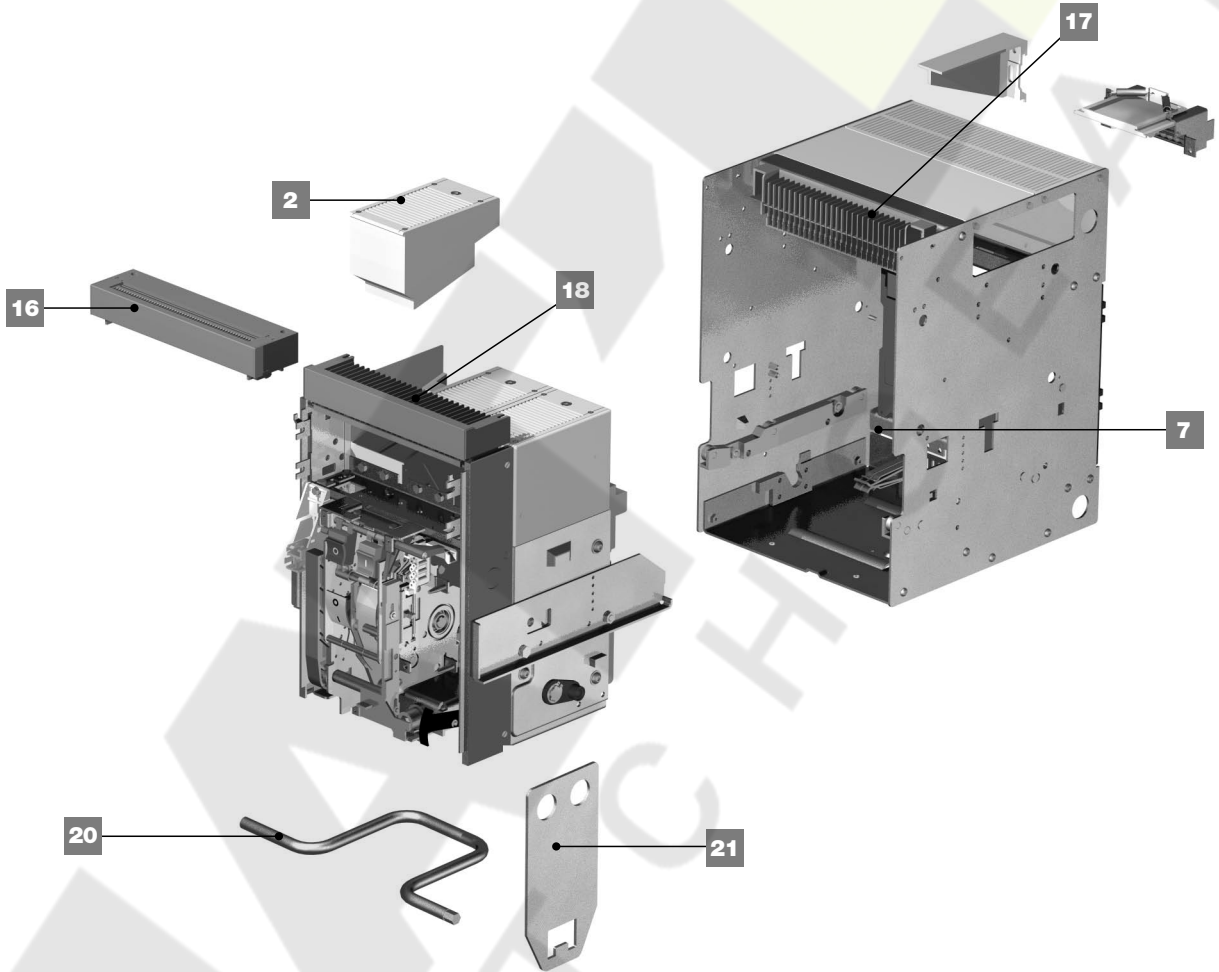
Low voltage air circuit-breakers

EMAX



2

Emax



Low voltage air circuit-breakers

Caption

- 1) Single complete pole
- 2) Single arc chamber
- 3) Operating mechanism
- 4) Closing springs set
- 5) CTs wiring set
- 6) Nr.8 Jaw contacts set
- 7) Earth sliding contact set
- 8) Main shield c/w lateral escutcheon plates
- 9) Safety shutters set

Common parts for entire range

- 10) Transparent protection for electronic release
- 11) Solenoid for PR111-112 electronic relais
- 12) Cover for test socket on electronic relais
- 13) PR112/B_Battery for electronic release
- 14) 2 Kg bid of "5RX Moly" grease specific for operating mechanism
- 15) Tool case complete of taylor-made spanners and templates
- 16) Auxiliary board for fixed breaker
- 17) Sliding contacts for fixed part
- 18) Sliding contacts for moving part
- 19) Dustproof protection for panel's door
- 20) Racking out lever
- 21) Lifting plates
- 22) Front cover for breaker fitted with key lock
- 23) Lifting trolley till 300Kg
- 24) Lifting trolley till 500Kg
- 25) Slideproof plate

EMAX E1

Spare part description	Type	1SDA code	Q.ty	Note
1 Single complete pole	complete range	045691R1	3 or 4	A
2 Single arc chamber	complete range	045697R1	3 or 4	
3 Operating mechanism	3p	053988R1	1	A
	4p	053989R1	1	A
4 Closing springs set	3p	053990R1	1	A
	4p	053991R1	1	A
5 CTs wiring set	3p	045714R1	1	
	4p	045716R1	1	
6 Nr.8 Jaw contacts set	complete range	047823R1	1	
7 Earth sliding contact set	complete range	045722R1	1	
8 Main shield c/w lateral escutcheon plates	3p	047828R1	1	
	4p	047829R1	1	
9 Safety shutters set	3p	038261R1	1	
	4p	038265R1	1	

EMAX E2

Spare part description	Type	1SDA code	Q.ty	Note
1 Single complete pole	E2BN	045692R1	3 or 4	A
	E2L	045695R1	3 or 4	A
2 Single arc chamber	E2BN	045697R1	3 or 4	
	E2L	045699R1	3 or 4	
3 Operating mechanism	3p	053988R1	1	A
	4p	053989R1	1	A
4 Closing springs set	E2L	053990R1	1	A
	E2BN 3p	053991R1	1	A
	E2BN 4p	053992R1	1	A
5 CTs wiring set	3p	045714R1	1	
	4p	045716R1	1	
6 Nr.8 Jaw contacts set	complete range	047824R1	1	
7 Earth sliding contact set	complete range	045722R1	1	
8 Main shield c/w lateral escutcheon plates	3p	047828R1	1	
	4p	047829R1	1	
9 Safety shutters set	3p	038261R1	1	
	4p	038265R1	1	

X = Last product available

A = Assembly reserved to ABB SACE skilled technician

Low voltage air circuit-breakers

EMAX E3

Spare part description	Type	1SDA code	Q.ty	Note
1 Single complete pole	E3 NSH	045693R1	3 or 4	A
	E3L	045696R1	3 or 4	A
2 Single arc chamber	E3 NSH	045698R1	3 or 4	
	E3L	045700R1	3 or 4	
3 Operating mechanism	E3L	053988R1	1	A
	E3 NSH	053989R1	1	A
4 Closing springs set	E3L	053991R1	1	A
	E3 NSH 3p	053993R1	1	A
	E3 NSH 4p	053994R1	1	A
5 CTs wiring set	3p	045713R1	1	
	4p	045715R1	1	
6 Nr.8 Jaw contacts set	complete range	047825R1	1	
7 Earth sliding contact set	complete range	045722R1	1	
8 Main shield c/w lateral escutcheon plates	3p	047830R1	1	
	4p	047831R1	1	
9 Safety shutters set	3p	038262R1	1	
	4p	038266R1	1	

EMAX E4

Spare part description	Type	1SDA code	Q.ty	Note
1 Half pole for phase / complete neutral pole	complete range	045692R1	6 or 7	A
2 Single arc chamber	complete range	045697R1	3 or 4	
3 Operating mechanism	complete range	053989R1	1	A
4 Closing springs set	complete range	053995R1	1	A
5 CTs wiring set	3p	045717R1	1	
	4p	045718R1	1	
6 Nr.14 Jaw contacts set	complete range	047826R1	1	
7 Earth sliding contact set	complete range	045722R1	1	
8 Main shield c/w lateral escutcheon plates	3p	047832R1	1	
	4p	047833R1	1	
9 Safety shutters set	3p	038263R1	1	
	4p	038267R1	1	
	4p FULL SIZE	048732R1	1	

X = Last product available

A = Assembly reserved to ABB SACE skilled technician

EMAX E6

Spare part description	Type	1SDA code	Q.ty	Note
1 Half pole for E6 phase or complete neutral pole	complete range	045694R1	6 or 7	A
2 Single arc chamber	complete range	045698R1	6 or 7	
3 Operating mechanism	complete range	053989R1	1	A
4 Closing springs set	E6	053995R1	1	A
	E6 FULL SIZE	053996R1	1	A
5 CTs wiring set	3p	063406R1	1	
	4p	063407R1	1	
6 Nr.14 Jaw contacts set	complete range	047827R1	1	
7 Earth sliding contact set	complete range	045722R1	1	
8 Main shield c/w lateral escutcheon plates	3p	047834R1	1	
	4p	047835R1	1	
9 Safety shutters set	3p	038264R1	1	
	4p	038268R1	1	
	4p FULL SIZE	050846R1	1	

Common parts for entire range

Spare part description	Type	1SDA code	Q.ty	Note
10 Transparent protection for electronic release	complete range	045724R1	1	
11 Solenoid for PR111-112 electronic relais	complete range	045735R1	1	
12 Cover for test socket on electronic relais	complete range	045736R1	1	
13 PR112/B_Battery for electronic release	complete range	045737R1	1	
14 2 Kg bid of "5RX Moly" grease specific for operating mechanism	complete range	045738R1	1	
15 Tool case complete of taylor-made spanners and templates	complete range	038359R1	1	
16 Auxiliary board for fixed breaker	complete range	038342R1	1	
17 Sliding contacts for fixed part	complete range	038362R1	1	
18 Sliding contacts for moving part	complete range	038328R1	1	
19 Dustproof protection for panel's door	complete range	038096R1	1	
20 Racking out lever	complete range	038092R1	1	
21 Lifting plates	complete range	038093R1	1	
22 Front cover for breaker fitted with key lock	complete range	050701R1	1	
23 Lifting trolley till 300Kg	Suggested till E4 breakers	269199130 (*)	1	(1)
24 Lifting trolley till 500Kg	Suggested for E6 breakers	269599127 (*)	1	(2)
25 Slideproof plate	800 or 1000 mm plate	269199131 (*)	1	

⁽¹⁾ Suggested with 800 mm slideproof plate

⁽²⁾ Suggested with 1000 mm slideproof plate

X = Last product available

A = Assembly reserved to ABB SACE skilled technician

(*) UXAB code

NATIONAL SWITCHGEARTM

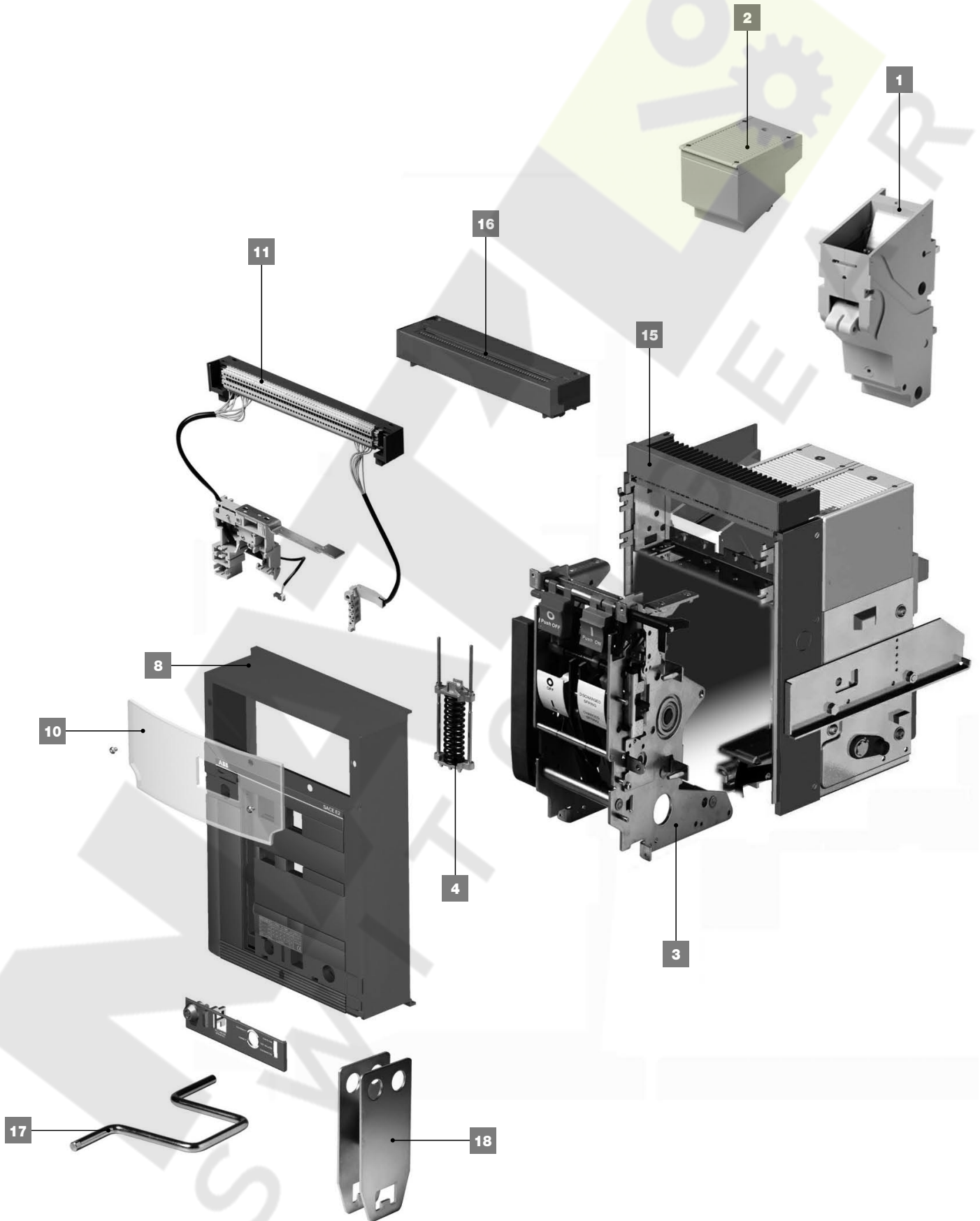


**Low voltage air
circuit-breakers
NEW EMAX series**

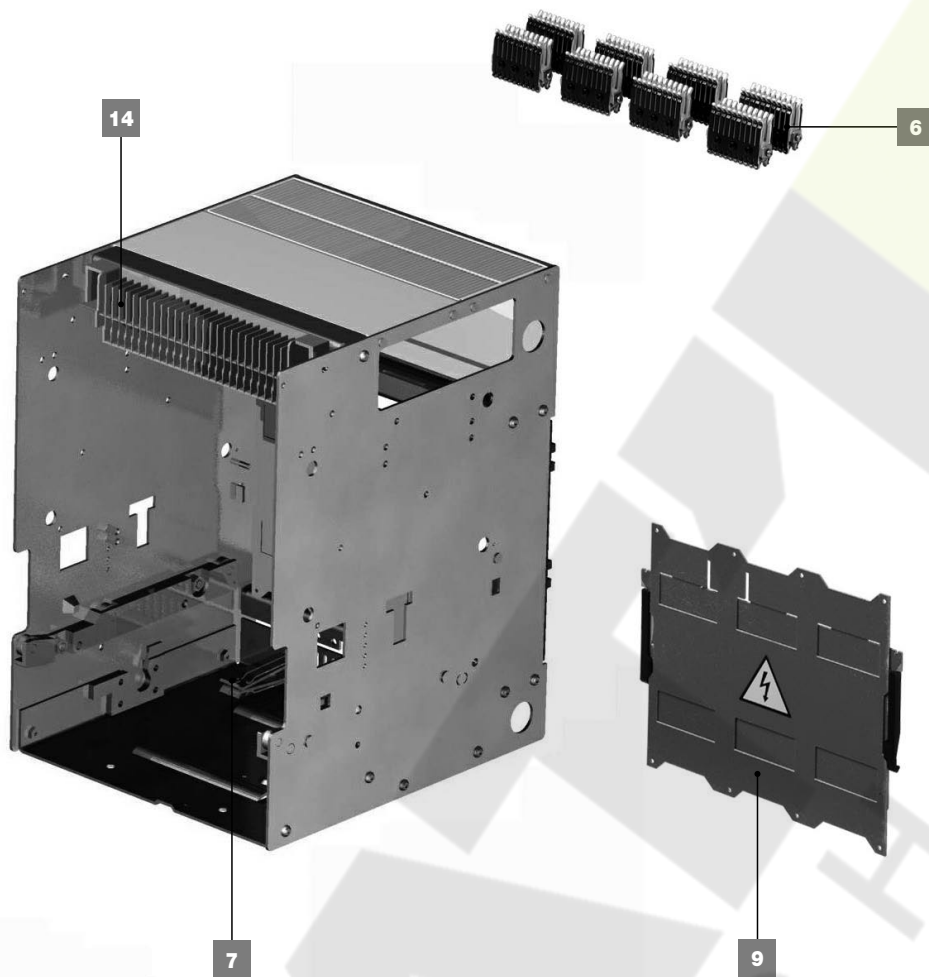


Low voltage air circuit-breakers

NEW EMAX



2
New Emax



Low voltage air circuit-breakers

Caption

- 1) Single complete pole
- 2) Single arc chamber
- 3) Operating mechanism
- 4) Closing springs set
- 5) CTs wiring set
- 6) Nr.8 Jaw contacts set
- 7) Earth sliding contact set
- 8) Main shield c/w lateral escutcheon plates
- 9) Safety shutters set

Common parts for entire range

- 10) Transparent protection for electronic release
- 11) Kit including I1/I4 mechanical flag + opening solenoid for electronic release
- 12) 2 Kg bid of "5RX Moly" grease specific for operating mechanism
- 13) Auxiliary board for fixed breaker
- 14) Sliding contacts for fixed part
- 15) Sliding contacts for moving part
- 16) IP20 protection for sliding contacts on moving part
- 17) Racking out lever
- 18) Lifting plate
- 19) Front cover for breaker fitted with key lock
- 20) Lifting trolley till 300Kg
- 21) Lifting trolley till 500Kg
- 22) Slideproof plate

NEW EMAX E1

Spare part description	Type	1SDA code	Q.ty	Note
1 Single complete pole	complete range	045691R1	3 or 4	A
2 Single arc chamber	complete range	045697R1	3 or 4	
3 Operating mechanism	3p	053988R1	1	A
	4p	053989R1	1	A
4 Closing springs set	3p	053990R1	1	A
	4p	053991R1	1	A
5 CS wiring set	3p	063393R1	1	
	4p	063395R1	1	
6 Nr.8 Jaw contacts set	complete range	047823R1	1	
7 Earth sliding contact set	complete range	045722R1	1	
8 Main shield c/w lateral escutcheon plates	3p	058318R1	1	
	4p	058319R1	1	
9 Safety shutters set	3p	038261R1	1	
	4p	038265R1	1	

NEW EMAX E2

Spare part description	Type	1SDA code	Q.ty	Note
1 Single complete pole	E2BN	045692R1	3 or 4	A
	E2S	063387R1		A
	E2L	045695R1		A
2 Single arc chamber	E2BN	045697R1	3 or 4	
	E2L	045699R1		
3 Operating mechanism	3p	053988R1	1	A
	4p	053989R1	1	A
4 Closing springs set	E2L	053990R1	1	A
	E2BN 3p	053991R1	1	A
	E2BN 4p	053992R1	1	A
5 CS wiring set	3p	063393R1	1	
	4p	063395R1	1	
6 Nr.8 Jaw contacts set	E2BNL	047824R1	1	
6 Nr.8 double jaw contacts set	E2S	063400R1	1	
7 Earth sliding contact set	complete range	045722R1	1	
8 Main shield c/w lateral escutcheon plates	3p	058318R1	1	
	4p	058319R1	1	
9 Safety shutters set	3p	038261R1	1	
	4p	038265R1	1	

X = Last product available

A = Assembly reserved to ABB SACE skilled technician

Low voltage air circuit-breakers

NEW EMAX E3

Spare part description	Type	1SDA code	Q.ty	Note
1 Single complete pole	E3 NSH	045693R1	3 or 4	A
	E3L	045696R1		A
	E3V	063388R1		A
2 Single arc chamber	E3 NSH	045698R1	3 or 4	
	E3L	045700R1		
	E3V	063391R1		
3 Operating mechanism	E3L	053988R1	1	A
	E3 NSH	053989R1	1	A
4 Closing springs set	E3L	053991R1	1	A
	E3 NSH 3p	053993R1	1	A
	E3 NSH 4p	053994R1	1	A
5 CS wiring set	3p	063992R1	1	
	4p	063994R1	1	
6 Nr.8 Jaw contacts set	complete range	047825R1	1	
7 Earth sliding contact set	complete range	045722R1	1	
8 Main shield c/w lateral escutcheon plates	3p	053321R1	1	
	4p	053322R1	1	
9 Safety shutters set	3p	038262R1	1	
	4p	038266R1	1	

NEW EMAX E4

Spare part description	Type	1SDA code	Q.ty	Note
1 Half pole for phase / complete neutral pole	E4S_H	045692R1	6 or 7	A
	E4V	063990R1		A
2 Single arc chamber	complete range	045697R1	3 or 4	
3 Operating mechanism	complete range	053989R1	1	A
4 Closing springs set	complete range	053995R1	1	A
5 CS wiring set	3p	063396R1	1	
	4p	063397R1	1	
6 Nr.14 Jaw contacts set	complete range	063400R1	1	
7 Earth sliding contact set	complete range	045722R1	1	
8 Main shield c/w lateral escutcheon plates	3p	058323R1	1	
	4p	058326R1	1	
9 Safety shutters set	3p	038263R1	1	
	4p	038267R1	1	
	4p FULL SIZE	048732R1	1	

X = Last product available

A = Assembly reserved to ABB SACE skilled technician

NEW EMAX E6

Spare part description	Type	1SDA code	Q.ty	Note
1 Half pole for E6 phase or complete neutral pole	E6S_H	045694R1	6 or 7	A
	4p FULL SIZE	063386R1		A
	E6V	063389R1		A
2 Single arc chamber	E6S_H	045698R1	6 or 7	
	E6V	063391R1		
3 Operating mechanism	complete range	053989R1	1	A
4 Closing springs set	E6	053995R1	1	A
	E6 FULL SIZE	053996R1	1	A
5 CS wiring set	3p	063398R1	1	
	4p	063399R1	1	
6 Nr.14 Jaw contacts set	complete range	047827R1	1	
7 Earth sliding contact set	complete range	045722R1	1	
8 Main shield c/w lateral escutcheon plates	3p	058327R1	1	
	4p	058328R1	1	
9 Safety shutters set	3p	038264R1	1	
	4p	038268R1	1	
	4p FULL SIZE	050846R1	1	

Common parts for entire range

Spare part description	Type	1SDA code	Q.ty	Note
10 Transparent protection for electronic release	complete range, PR121	063326R1	1	
	complete range, PR122	063385R1	1	
11 Kit including 11/14 mechanical flag + opening solenoid for electronic release	complete range	063404R1	1	
12 2 Kg bid of "5RX Moly" grease specific for operating mechanism	complete range	045738R1	1	
13 Auxiliary board for fixed breaker	complete range	063401R1	1	
14 Sliding contacts for fixed part	complete range	063402R1	1	
15 Sliding contacts for moving part	complete range	063403R1	1	
16 IP20 protection for sliding contacts on moving part	complete range	063135R1	1	
17 Racking out lever	complete range	038092R1	1	
18 Lifting plate	complete range	038093R1	1	
19 Front cover for breaker fitted with key lock	complete range	063405R1	1	
20 Lifting trolley till 300Kg	Suggested till E4 breakers	269199130 (*)	1	(1)
21 Lifting trolley till 500Kg	Suggested for E6 breakers	269599127 (*)	1	(2)
22 Slideproof plate	800 or 1000 mm plate	269199131 (*)	1	

(1) Suggested with 800 mm slideproof plate

(2) Suggested with 1000 mm slideproof plate

X = Last product available

A = Assembly reserved to ABB SACE skilled technician

U = UXAB code

NATIONAL SWITCHGEARTM

<http://www.abb.com>

Tel.: +39 035.395.111 - Telefax: +39 035.395.306-433
24123 Bergamo, Italy
Via Baloni, 35
L.V. Breakers

An ABB Group Company

ABB SACE s.p.a



Due to possible developments of standards as well as of materials, the characteristics and dimensions specified in the present catalogue may only be considered binding after confirmation by ABB SACE.

1SDC001007D0201 - 05/2006
Printed in Italy
Tipografia