

Instructions
For Field
Installable
Accessories
For Catalog
Nos. TPWB
and TSWB



POWER BREAK® Walking-Beam Mechanical Interlock

For 800, 1600, 2000,
3000, and 4000A
Frames—
Stationary Only

CAUTION: Before inspecting or beginning any maintenance work on the breaker, it must be disconnected from all voltage sources, both power and control, and breaker must be off (open).

NOTE: Any work requiring cover removal of a sealed breaker voids UL listing. The UL label must be destroyed.

INSTALLATION

Removal of Breaker Knockouts, Figures 1 and 2.
(Use adjacent KO holes in breakers.)

1. Set breakers to OFF position.
2. Working from back of breaker, drive a small screwdriver past edge of KO and through connecting web. Pry out KO.
3. Remove any remaining flash, making sure debris does not fall inside the breaker.

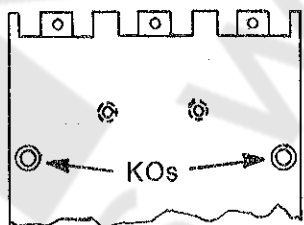


Figure 1. 800, 1600 and 2000A frames.

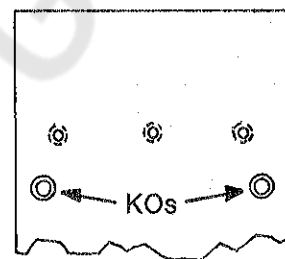


Figure 2. 3000 and 4000A frames.

DRILLING HOLES IN MOUNTING PANEL.

For 800, 1600 & 2000A Frames

Drill holes in mounting panel as shown in Figure 3.

For 3000 & 4000A Frames

Drill holes in mounting panel as shown in Figure 3a.

MOUNTING MECHANICAL INTERLOCK

Mount and adjust as shown in Figure 4.

MOUNTING BREAKERS

1. Set breakers in OFF position.
2. Mount breakers.
3. Check that plungers do not bind in panel holes or breaker KO holes.

GENERAL  ELECTRIC

OPERATION CHECK

1. With one breaker ON and the other breaker OFF, there should be slight "play" in the interlock system to assure that a "bottomed out" condition does not exist.
2. Determine that the interlock prevents both breakers from being turned ON at the same time.
3. If readjustment of plungers is required, perform as outlined in Figure 4.
4. Recheck operation of interlock as described in 1 and 2, directly above.

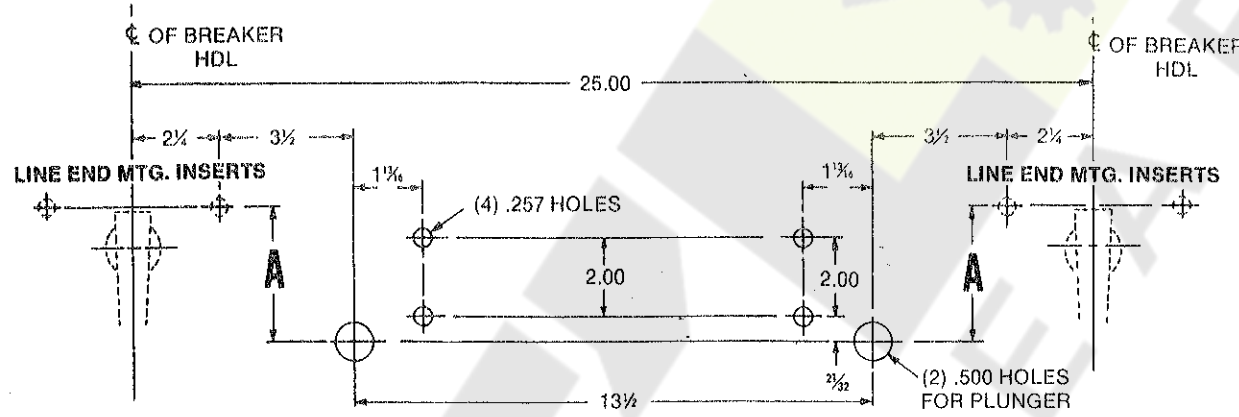


Figure 3. Drilling mounting panel 800, 1600 and 2000A frames

ENVELOPE SIZE	A
800 FRAME	3 ¹⁵ / ₃₂
1600 & 2000 FRAME	3 ⁵ / ₈

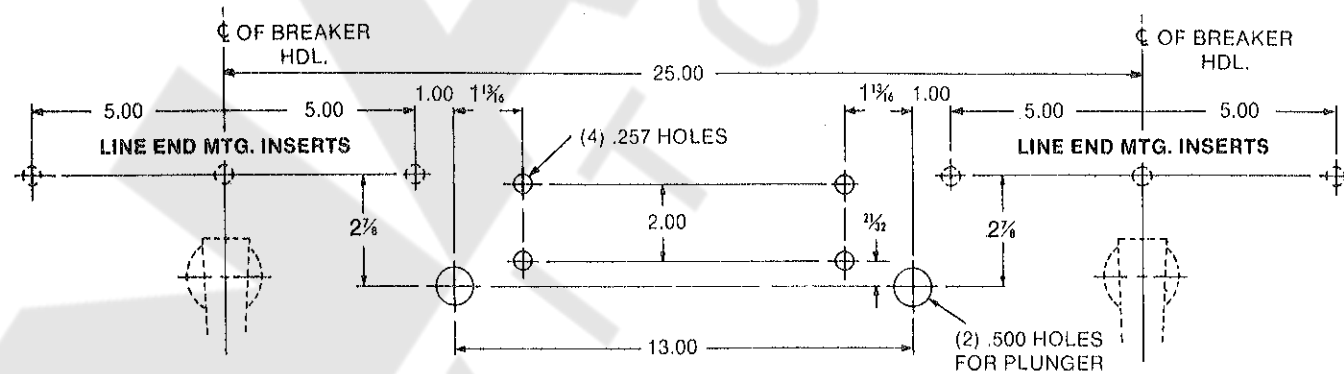


Figure 3a. Drilling mounting panel 3000 and 4000A frames

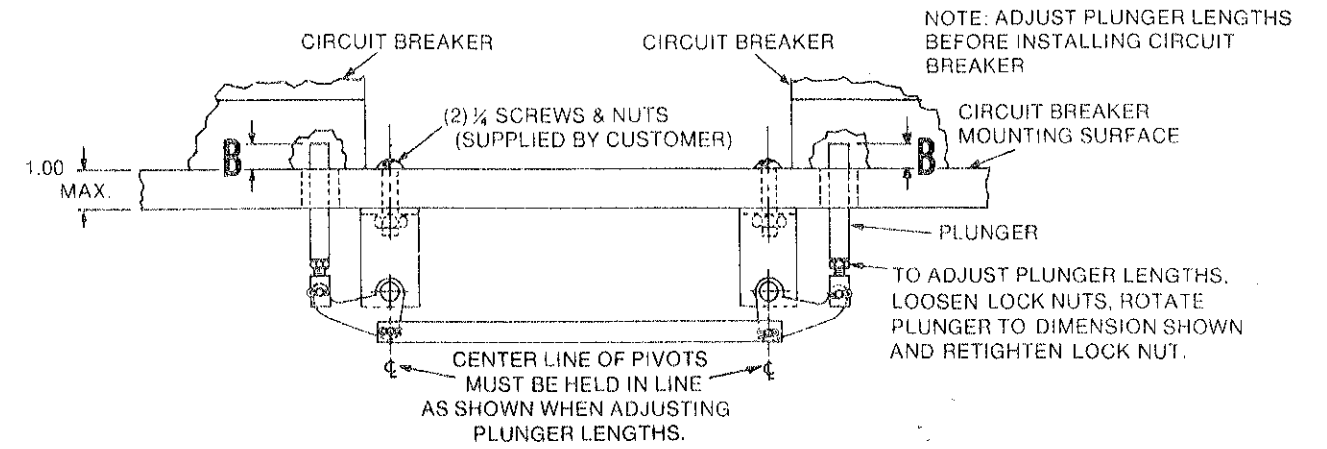


Figure 4. Mounting interlock 800, 1600 and 2000A, 3000 and 4000A frames

ENVELOPE SIZE	B
800, 1600 & 2000A FRAMES	1 ¹ / ₃₂
3000 & 4000A FRAMES	1 ⁹ / ₃₂