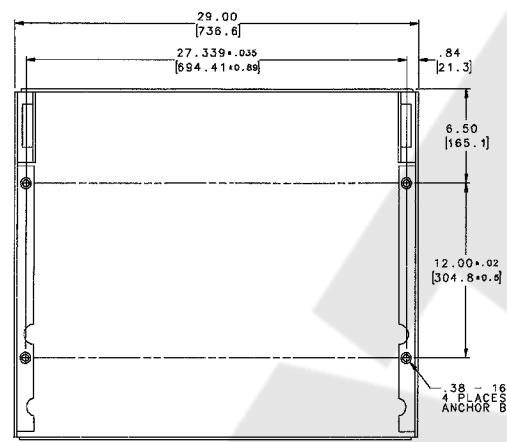


0144D2954 1

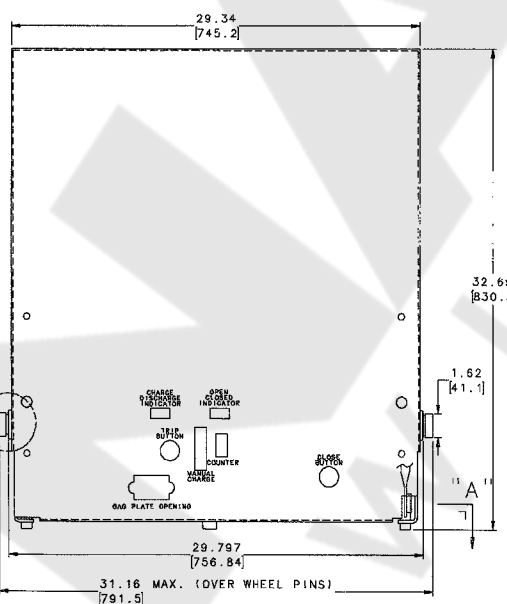
REV	DESCRIPTION	DATE	APPROVED
1	DCN # W3120	05/21/83	DW DORN

NOTES:

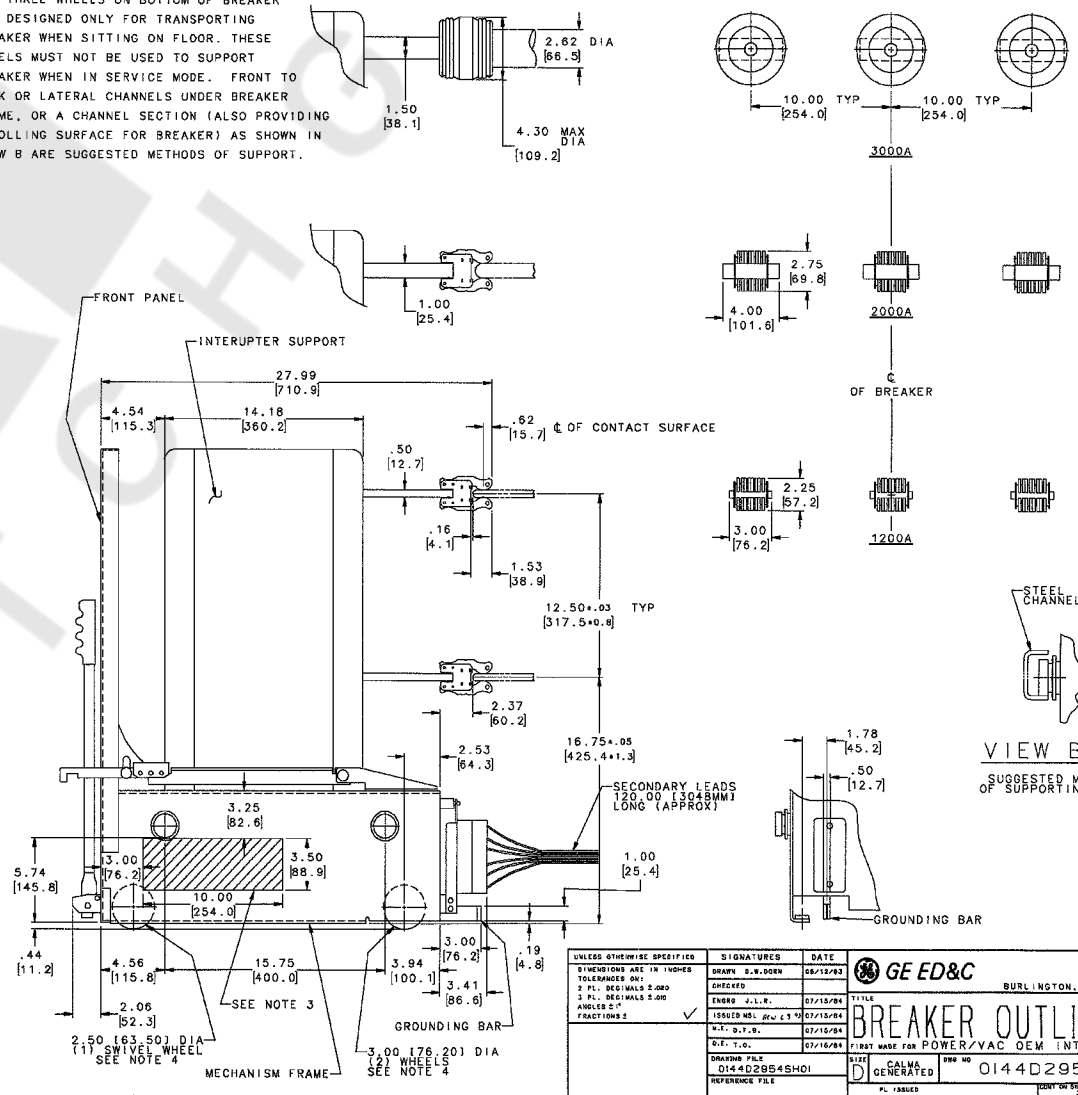
- 1) DIMENSIONS ARE GIVEN IN INCHES OVER MILLIMETERS.
- 2) ALL UNTOLERANCED DIMENSIONS ARE FOR REFERENCE ONLY.
- 3) THIS AREA MUST BE FREE OF OBSTRUCTIONS THAT MIGHT INTERFERE WITH MECHANISM INTERLOCKS. (BOTH SIDES)
- 4) THE THREE WHEELS ON BOTTOM OF BREAKER ARE DESIGNED ONLY FOR TRANSPORTING BREAKER WHEN SITTING ON FLOOR. THESE WHEELS MUST NOT BE USED TO SUPPORT BREAKER WHEN IN SERVICE MODE. FRONT TO BACK OR LATERAL CHANNELS UNDER BREAKER FRAME, OR A CHANNEL SECTION (ALSO PROVIDING A ROLLING SURFACE FOR BREAKER) AS SHOWN IN VIEW B ARE SUGGESTED METHODS OF SUPPORT.



VIEW A-A
BREAKER MOUNTING



VIEW B-B
SUGGESTED METHOD OF SUPPORTING BKR.



UNLESS OTHERWISE SPECIFIED

DIMENSIONS ARE IN INCHES
TOLERANCES ON:
2 PL. DECIMALS 2.000
3 PL. DECIMALS 2.000
ANGLES ± 1°
FRACTIONS ±

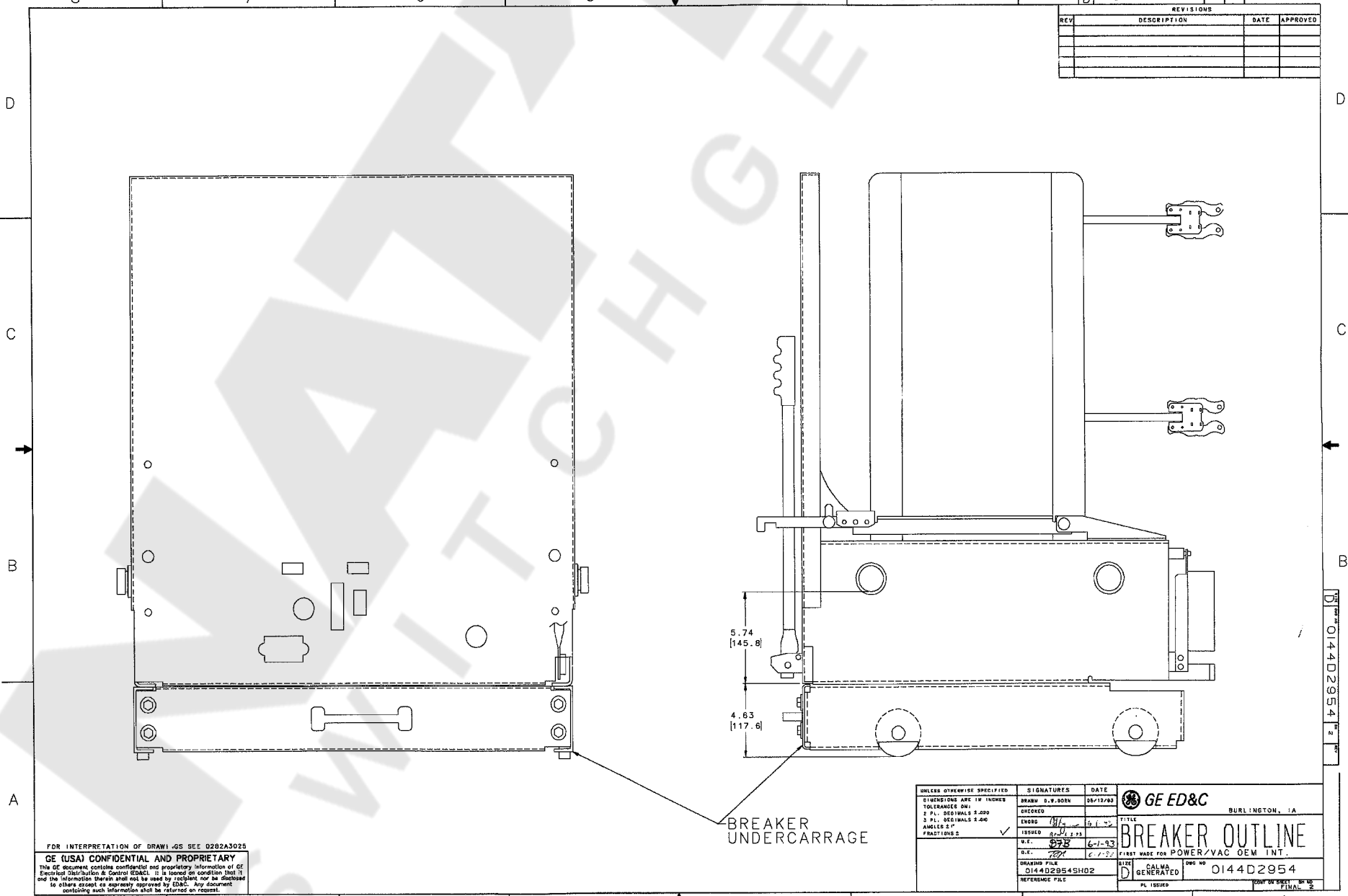
SIGNATURE	DATE	TITLE
DRAWN D.W. DORN	06/12/83	GE ED&C BURLINGTON, IA
ENGINEER		
ENGR J.L.L.R.	07/10/84	BREAKER OUTLINE
ISSUED NSL Rev 1	07/10/84	FIRST MADE FOR POWER/VAC OEM INT.
W.E. D.T.S.	07/10/84	
D.R. T.G.	07/10/84	

DRAWING FILE: 0144D2954SH01
REFERENCE FILE: CALMA
REV NO: 0144D2954
DATE GENERATED: 0144D2954

FOR INTERPRETATION OF DRAWINGS SEE 0282A3025
GE (USA) CONFIDENTIAL AND PROPRIETARY
 This GE document containing confidential and proprietary information of GE Electrical Distribution & Control (ED&C). It is loaned on condition that it and the information therein shall not be used by recipient nor be disclosed to others except as expressly approved by ED&C. Any document containing such information shall be returned on request.

D 0144D2954 z 1

REVISIONS			
REV	DESCRIPTION	DATE	APPROVED



UNLESS OTHERWISE SPECIFIED	SIGNATURES	DATE	 GE ED&C BURLINGTON, IA
DIMENSIONS ARE IN INCHES	DRAWN S.W.BORN	05/12/93	
TOLERANCES DIM:	CHECKED		TITLE BREAKER OUTLINE FIRST MADE FOR POWER/VAC OEM INT.
2 PL. DECIMALS 2.000	ENG'D <i>[Signature]</i>	05/12/93	
3 PL. DECIMALS 2.000	ISSUED <i>[Signature]</i>	05/12/93	Dwg No 0144D2954
ANGLES 2°	W.E. <i>[Signature]</i>	05/12/93	
FRACTIONS 2	DRAWING FILE	0144D2954SH02	GE GENERATED PL. ISSUED
	REFERENCE FILE		DAY OF SHEET: 0144 TOTAL: 2

FOR INTERPRETATION OF DRAWING SEE 0282A3025

GE (USA) CONFIDENTIAL AND PROPRIETARY

This GE document contains confidential and proprietary information of GE. Specific Distribution & Control (SD&C). It is issued on condition that it and the information therein shall not be used by recipient, nor be disclosed to others except as expressly approved by SD&C. Any document containing such information shall be returned on request.