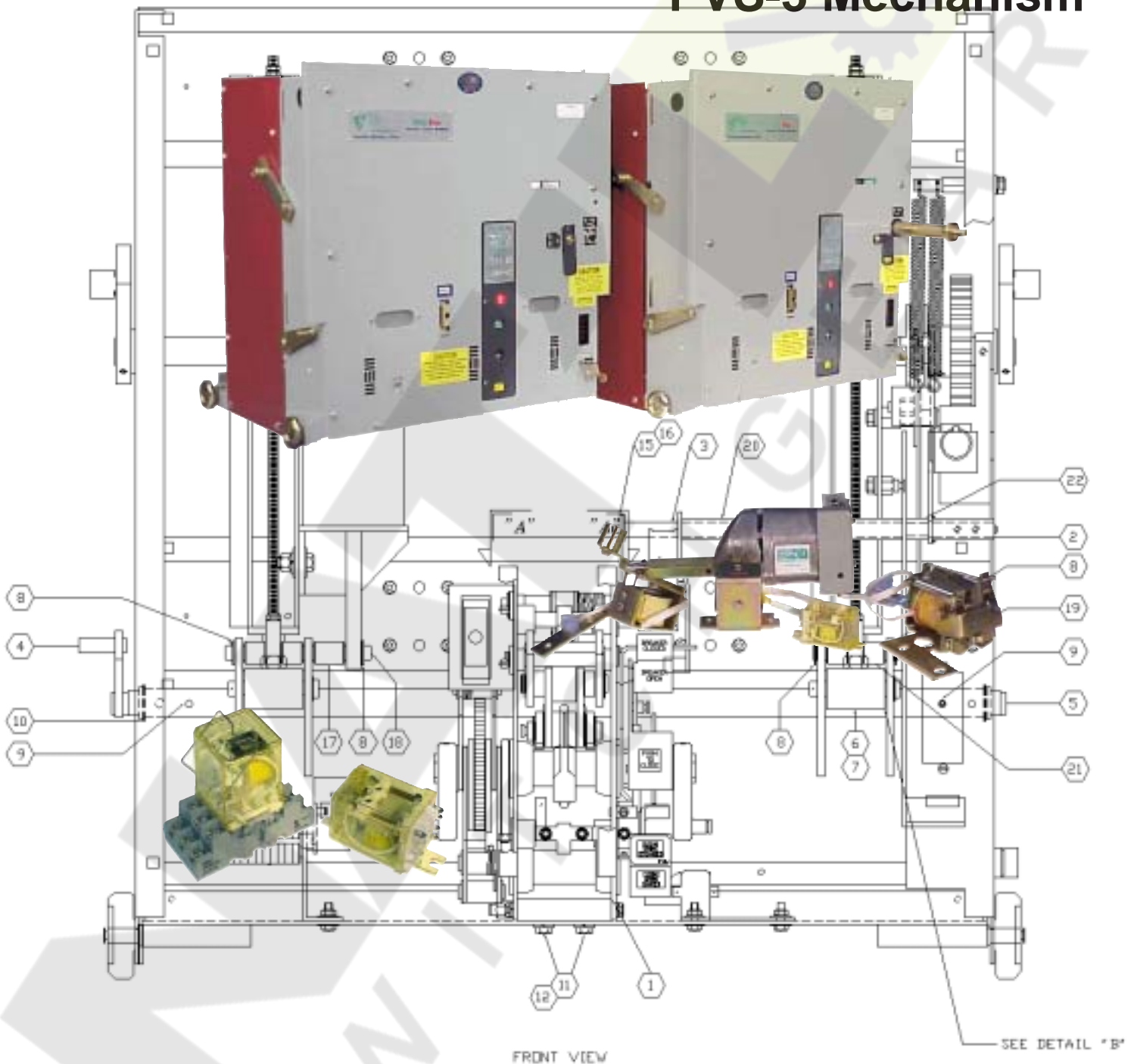


Renewal Parts

MVA PowIVac® Circuit Breaker PVS-3 Mechanism



For MVA Breakers containing "Dash" numbers of:

-3, -4, -5, -6, -7, -8, -9, -A, -B, -C, -D, -F, -G





The following breakers are covered in this catalog:

| Breaker Number | Rated KV | Continuous Current | Interrupting Current Rating(kA) |
|--------------------------------|----------|----------------------|---------------------------------|
| 05PV0350 -5, -6, -7, -8, -9 | 4.76 | 1200 2000 3000 | 41 |
| 05PV025H -5, -6, -7, -8, -9 | 4.76 | 3000 | 29 |
| 75PV0500 -5, -6, -7, -8, -9 | 8.25 | 1200 2000 3000 | 18 |
| 15PV0750 -5, -6, -7, -8, -9 | 15 | 1200 2000 | 28 |
| 15PV1000 -5, -6, -7, -8, -9 | 15 | 1200 2000 3000 | 37 |
| 15PV1300 -8, -9 | 15 | 1200 2000 3000 | 50 |
| 15PV050H -6, -7, -8, -9 | 15 | 3000 | 18 |
| 15PV075H -6, -7, -8, -9 | 15 | 1200 2000 3000 | 28 |
| 5PV0250 -3, -4, -A, -B | 4.76 | 1200 2000 | 29 |
| 15PV0500 -3, -4, -A, -B | 15 | 1200 2000 | 18 |
| 15PV050H -3, -4, -A, -B | 15 | 1200 2000 | 18 |

Complete explanation of the breaker number on page ().

For more information see Instruction Bulletin IB 60010.

Powell Apparatus Service Division recommends that spare parts be kept to avoid costly down time. A list of recommended spare parts is included in the PowlVac® Order form.



Table of Contents:

- 1. Models Covered 2
- 2. PowlVac® Namplate 4
- 3. Ordering Information 5
- 4. Order Form 6
- 5. Circuit Breaker Number Guide 7-8
- 6. Basic Components 9-10
- 7. Front Cover Components 11
- 8. Primary Insulation Components..... 12-13
- 9. Primary Conductor System 14-15
- 10. Mechanism 16
 - A. Mechanism Assembly 17
 - B. Mechanism Sub-Assembly 18
 - C. Frame and Shaft Sub-Assembly..... 19
 - D. Fundamental Linkage Assembly 20
 - F. PVS-3 Spring Charge Shaft 21
 - G. PVS-7 Mechanism Upgrade 22
 - H. PVS-7 Spring Charge Shaft 23
- 11. Master Mechanism Assembly
 - A. STD 24
 - B. CDR 25
- 12. Racking Mechanism
 - A. STD 26
 - B. CDR..... 27
- 13. Interlock to Frame
 - A. STD 28
 - B. CDR 29
- 14. Stored Energy Components 30
- 15. Control Devices..... 31-33
- 16. Wiring 34-35
- 17. Miscellaneous 36
- 18. Index 36



PowlVac® Nameplate

The POWLVAC® Nameplate contains all the information required for purchasing replacement parts for your breaker. The nameplate is located on the front cover of the circuit breaker.



Figure 4-1

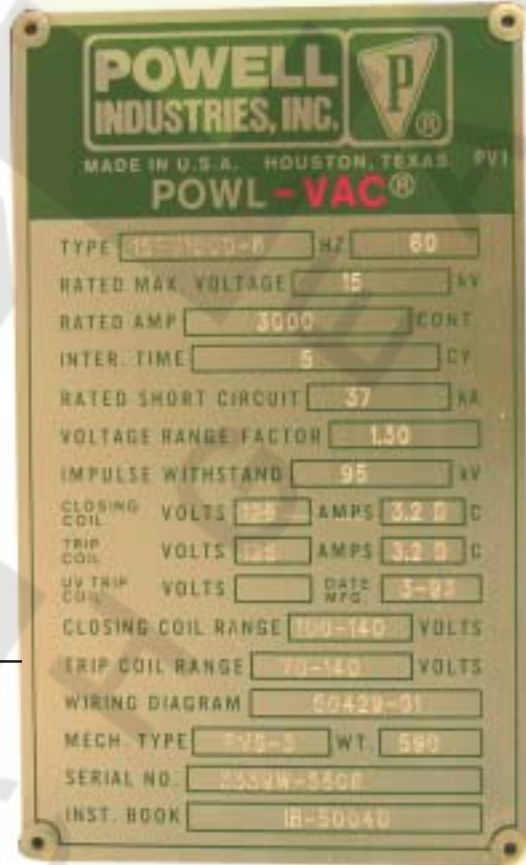


Figure 4-2



Figure 4-3

Serial Number Plate
Left-Rear of the Circuit Breaker on the bottom rail



Ordering Information

Powell Apparatus Service Division is available for installation and repair in the field. To ensure the proper parts are ordered, send the form on the next page with all of the required information. The form can be sent through e-mail, fax, or standard mail. Phone requests are also taken. For more information, visit the [PASD website](#).

Powell Apparatus Service Division Contacts:

Phone- 1-800-480-PASD

Fax- 713-948-4927

E-mail- info@powellservice.com

Website- www.powellservice.com

Address- Powell Apparatus Service Division
8550 Mosley
Houston, TX 77075-1180



Order Form



POWELL APPARATUS SERVICE DIVISION
8550 MOSLEY, HOUSTON, TEXAS 77075-1180
A DIVISION OF POWELL ELECTRICAL MFG. CO.

POWL-VAC PARTS ORDER FORM

Please fill in the below information from the breaker nameplate

| | |
|--|---|
| BREAKER TYPE: <input type="text"/> | SERIAL NUMBER: <input type="text"/> |
| CONT. CURRENT/RATED AMP: <input type="text"/> | MECH TYPE: <input type="text"/> |
| CLOSE COIL (VOLTS): <input type="text"/> | TRIP COIL (VOLTS): <input type="text"/> |
| 3 CYCLE OR 5 CYCLE TRIP: <input type="text"/> | CHARGING MOTOR (VOLTS): <input type="text"/> |
| 2 ND TRIP COIL (VOLTS): <input type="text"/> | UV TRIP (VOLTS): <input type="text"/> |

RECOMMENDED SPARE PARTS:

- CLOSE COIL
- TRIP COIL
- CHARGING MOTOR
- 2ND TRIP COIL
- UV TRIP
- ANTI PUMP RELAY
- VI ASSEMBLY
- MOTOR CUT OFF SWITCH
- LATCH CHECK SWITCH
- BREAKER AUX. SWITCH
- 'DD' MECH. MAIN SHAFT KIT
- VI TESTER
- BREAKER LUBE KIT
- BREAKER HARDWARE KIT

ORDER QTY.

ADDITIONAL MISC. PARTS: _____

FAX THIS FORM ALONG WITH PURCHASE ORDER SHOWING BILLING ADDRESS, SHIPPING ADDRESS, PAYMENT TERMS (NET 30 DAYS), FRIEGHT TERMS (PRE-PAY AND ADD) TO: **PASD PARTS DEPARTMENT: 713/948-4927**



Circuit Breaker Number Chart

| MVA Circuit Breaker Identification Guide | | |
|--|---|---|
| Example: 15 PV 1000 - 2 3 C C C X 206 | | |
| Line | Description | Instructions |
| 1-2 | Voltage Rating | Designates the ANSI voltage class of the circuit breaker. ANSI - 05, 08, 15 |
| 3-4 | Circuit Breaker Type | Designates the type of breaker type as PV(PowlVac®) |
| 5-8 | MVA Rating | Signifies the breaker MVA rating |
| 9-10 | Dash Number | "Dash" Number. Identifies the model assmebly . |
| 11 | Current Rating | A numeric code that represents the continuous current rating of the circuit breaker. |
| 12 | Closing Coil Voltage | Signifies the voltage of the closing coil. |
| 13 | Trip Coil Voltage | Designates the voltage of the Trip Coil.. |
| 14 | Charging Motor and Wiring Configuration | Represents the voltage of the charging motor. |
| 15 | Optional Equipment | Identifies optional components such as, secondary trip coils, capacitor trips, and undervoltagecoils. |
| 16-18 | Special Breaker Coding | Special Breaker Options |

Table 7-1



Circuit Breaker Number Chart

| Specifications Characters 1-13 | | | | |
|--------------------------------|----------------|-------------------|---------------|--------------------------|
| Voltage Rating(kV) 1-2 | Product 3-4 | MVA Rating 5-8 | Model 9-10 | Continuous Current 11 |
| 05 - 4.76 | PV | 0250 | -3 - STD | 1 - 1200 |
| 75 - 8.25 | | 025H | -4 - STD | 2 - 2000 |
| 15 - 15 | | 0350 | -A - CDR | 3 - 3000 |
| | | 0500 | -B - CDR | |
| | | 050H | -5 - STD | |
| | | 0750 | -6 - STD | |
| | | 075H | -7 - STD | |
| | | 1000 | -8 - STD | |
| | | 1300 | -9 - STD | |
| | | | -C - CDR | |
| | | | -D - CDR | |
| | | | -F - CDR | |
| | | | -G - CDR | |

Table 8-1

| Dash Number Equivalencies | |
|---------------------------|-----|
| STD | CDR |
| -6 | -C |
| -7 | -D |
| -8 | -F |
| -9 | -G |

Table 8-2

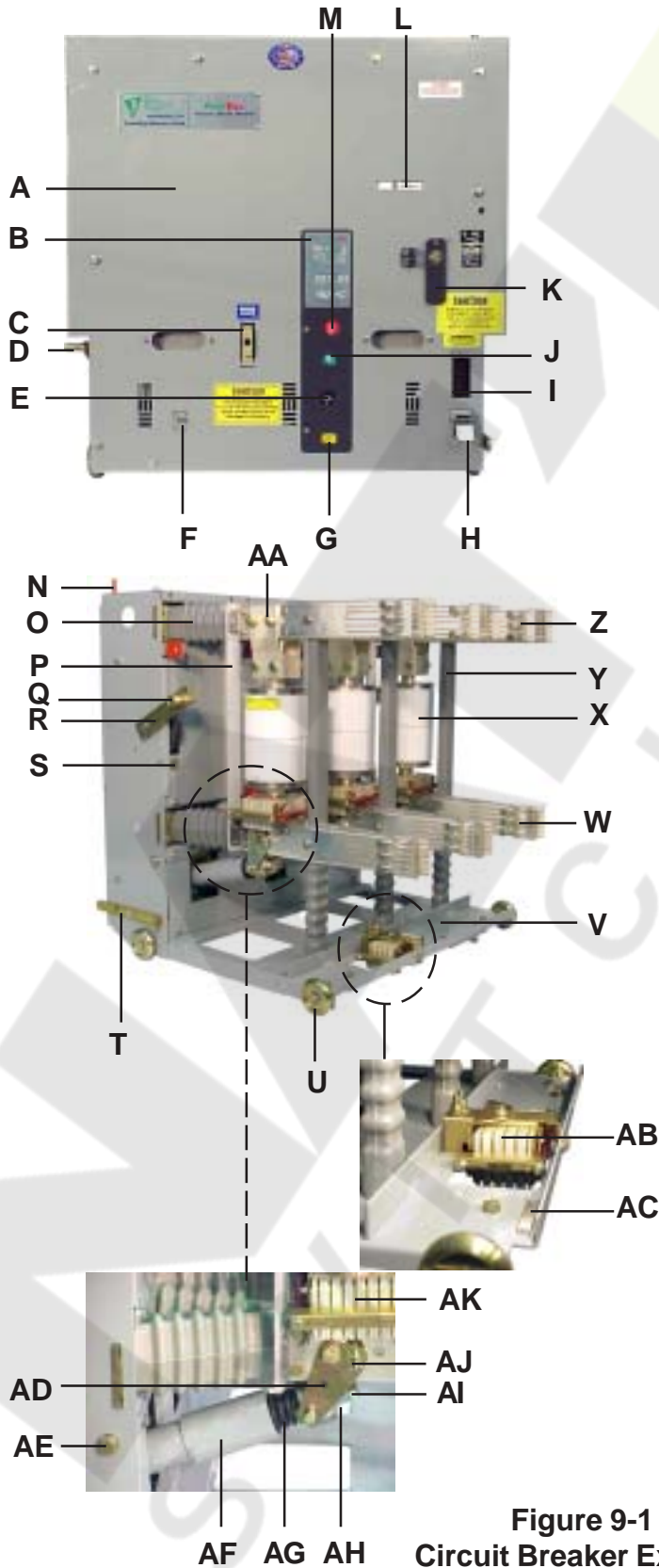
Note:

The -C breaker is the equivalent to the -6 breaker except that it is Closed Door Racking (CDR). This also applies to the -D, -F, and -G which are the CDR equivalents to the -7, -8,

The -5 breaker and the -6 breakers are the same except the -5 breaker contains Mitsubishi Vacuum Interrupters.



Component Identification



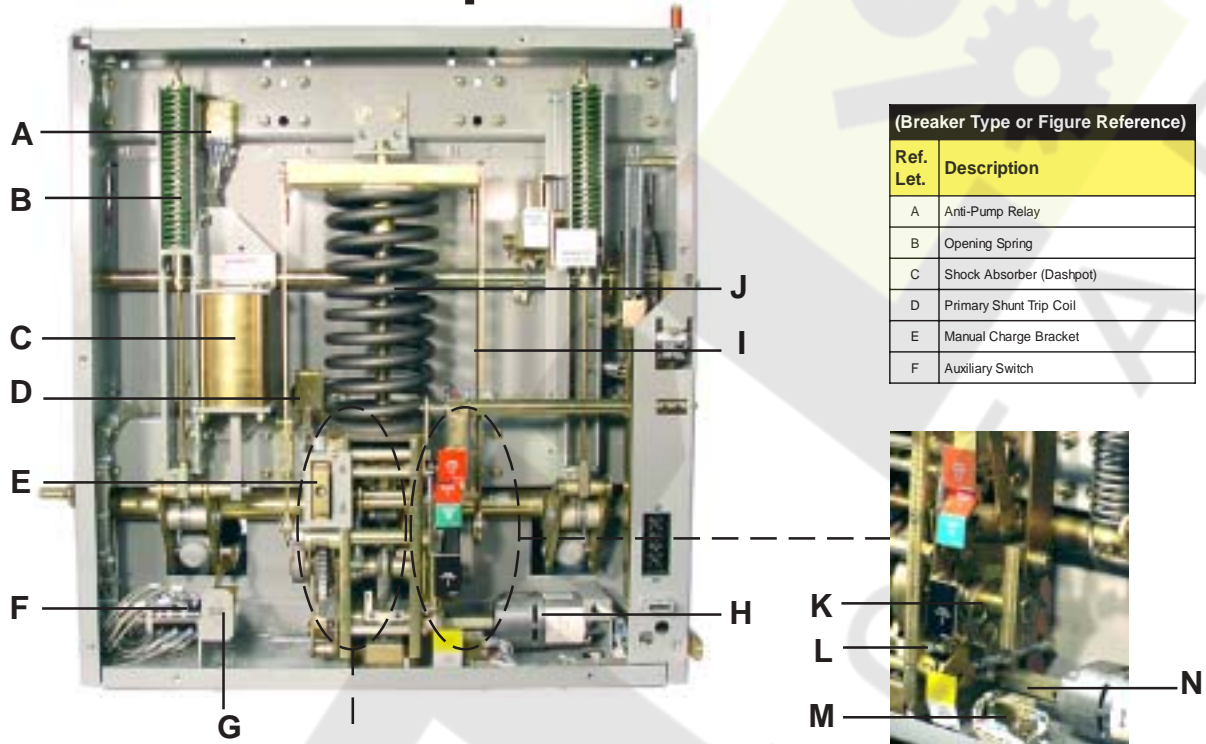
| (Breaker type or Figure Reference) | |
|------------------------------------|--|
| Ref. Let. | Description |
| A | Front Cover |
| B | Nameplate |
| C | Manual Charging Crank |
| D | MOC Actuator |
| E | Manual Close Operator |
| F | Operations Counter |
| G | Spring Charge Indicator |
| H | Secondary Disconnect Interlock and Tab |
| I | Secondary Disconnect receptacle |
| J | Circuit Breaker Open/Close indicator |
| K | Padlock Provision |
| L | Breaker Position Indicator |
| M | Manual Trip Operator |
| N | TOC Actuator |
| O | Main Insulator (Wishbone) |
| P | Support Strut |
| Q | Crank Arm Roller |
| R | Racking Crank Arm |
| S | racking Drive Shaft |
| T | Anti-Rollout Latch |
| U | Wheel |
| V | Frame |
| W | Lower Primary Disconnecting Device |
| X | Vacuum Interrupter |
| Y | Insulating Pole Support |
| Z | Upper Primary Disconnecting Device |
| AA | Vertical Connector Bar |
| AB | Ground Connection |
| AC | Serial Number Plate |
| AD | Bell Cranks |
| AE | Jackshaft Pin |
| AF | Operating Pushrod |
| AG | Contact Loading Spring |
| AH | Spring Yoke |
| AI | Lock Nut |
| AJ | Operating Pin |
| AK | Sliding Contact Finger Assembly |

Table 9-1

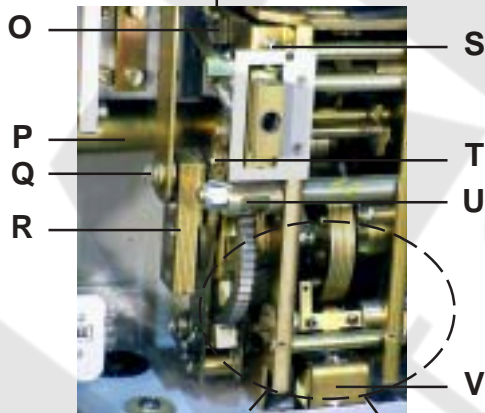
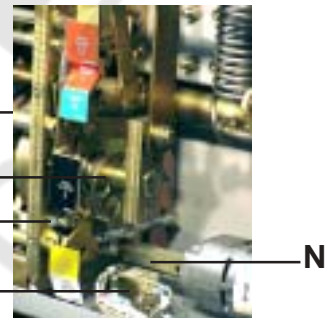
Figure 9-1
Circuit Breaker Exterior



Component Identification



| (Breaker Type or Figure Reference) | |
|------------------------------------|--------------------------|
| Ref. Let. | Description |
| A | Anti-Pump Relay |
| B | Opening Spring |
| C | Shock Absorber (Dashpot) |
| D | Primary Shunt Trip Coil |
| E | Manual Charge Bracket |
| F | Auxiliary Switch |



| Ref. Let. | Description |
|-----------|-------------------------------------|
| G | Operations Counter |
| H | Charging Motor |
| I | Connecting Rods |
| J | Closing Spring |
| K | Motor Cutoff Cam |
| L | Close Bar Adjusting Screw |
| M | Motor Cutoff Switch |
| N | Motor Drive Shaft |
| O | Latch Check Switch |
| P | Jackshaft |
| Q | Crank Pin |
| R | Crank Arm |
| S | Secondary Trip Prop Adjusting Screw |
| T | Holding Pawl Support Arm |
| U | Holding Pawl Adjusting Eccentric |
| V | Closing Coil |
| W | Pawl Lift Plate |
| X | Drive Pawl |
| Y | Pawl Support Arm |
| Z | Ratchet Wheel |
| AA | Close Latch Plate |
| AB | Reset Spring |
| AC | Closing Cam Assembly |
| AD | Secondary Trip Prop |
| AE | Main Cam Roller |
| AF | Camshaft |

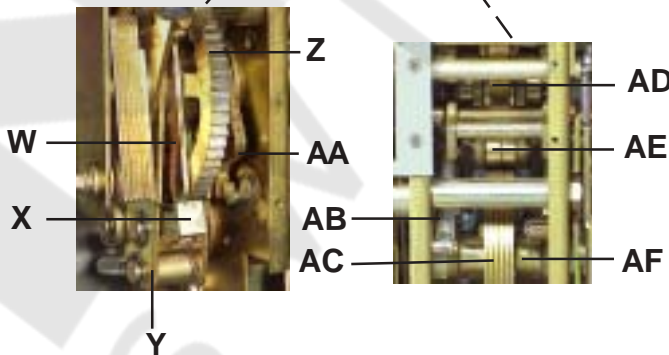


Table 10-1

Figure 10-1
Circuit Breaker Interior



Front Cover Components



Figure 11-1. Standard Circuit Breaker (STD) Front Cover View



Figure 11-2 Closed Door Racking (CDR) Front Cover View

| Table I. Circuit Breaker Front Cover Assembly | | | | |
|---|--|----------------|---------|-------------|
| Ref. No. | Description | Breaker Design | Qty. | Catalog No. |
| fig. 1 A | Display Nameplate | STD/CDR | 1 | 50620P01 |
| | attached by Rivets 1/8" X 3/8" LG | | 4 | W6033 |
| fig. 1 B | Front Cover - Standard | STD | 1 | 50741G01 |
| | Front Cover - Retrofill | | 1 | 50741G03 |
| fig. 2 A | Front Cover - Standard | CDR | 1 | 50741G02 |
| | Front Cover - 3000A White | | 1 | 50741G06 |
| | Front Cover - 3000A Gray | | 1 | 50741G08 |
| fig. 1-2 C | Breaker Information Nameplate | CDR/STD | 1 | |
| fig. 1-2 D | Handle Back Cap | STD/CDR | 2 | 50018P01 |
| | attached by Rivet 1/4" X 1/2" LG | | 4 | W6034 |
| fig. 1 H | Padlock Provision - Stationary Clip | STD | 1 | 50098P01 |
| | attached by Rivet 1/4" X 1/2" LG | | 2 | W6034 |
| fig. 1-2 F | Secondary Disconnect Interlock Tab & Clip | STD/CDR | 1 | 50997P01 |
| | attached by Rivet 1/4" X 1/2" LG | | 2 | W6034 |
| fig. 1-2 E | Padlock Provision - Movable Arm | STD/CDR | 1 | 50097P01 |
| | attached by 3/8" dia - 5/16-18" X 7/8" LG. | | 1 | W1076 |
| | 5/16-18" Hex Nut | | 1 | W3006 |
| | 3/8" Flat Washer | | 1 | W5206 |
| fig. 1-2 F | 5/16" Lock Washer | STD/CDR | 1 | W5005 |
| | Secondary Disconnect | | STD/CDR | 1 |
| | Label Kit | STD/CDR | ALL | |
| Material Features | | | | |
| • Circuit Breaker Front Cover assembly available in grey, and white color code. | | | | |

Table 11-1



Primary Insulation Components

Wishbone(Old Style)

#



Figure 12-1

Wishbone
#50615G01



Figure 12-2

This Style requires that all three wishbones be replaced one time and the removal of the backer plate. The wishbone also requires mounting brackets.

Insulating Pole Supports



Figure 12-3

| Insulating Supports | |
|--------------------------|-------------|
| Description | Catalog No. |
| Wishbone(Old Style) | |
| Wisbone | 50643G01 |
| Insulating Pole Supports | 50642G01P |

Table 12-1

| Barriers | | | |
|-------------|----------------|-------------|-------------|
| Description | | | Catalog No. |
| 5 KV | 1200/2000 Amps | 50 kA | 50331G01 |
| | 3000 Amps | 50 kA | 50331G02 |
| 15 KV | 1200/2000 Amps | 25/36/50 kA | 50331G03 |
| | 3000 Amps | 50 kA | 50331G01 |

Table 12-2



Figure 12-4



Primary Insulation Components

| Operating Pushrod Assembly | | | | |
|----------------------------|----------|--------------------|--------------------------------|----------------------------|
| Circuit Breaker Number | Rated kV | Continuous Current | Rated Interrupting Current(kA) | Operating Pushrod Assembly |
| 15PV0750 -5, -6, -7 | 15 | 1200, 2000 | 28 | 50934G05 |
| 15PV075H -5, -6, -7 | 15 | 1200, 2000 | 28 | 50934G15 |
| 05PV0350 -5, -6, -7 | 4.76 | 1200, 2000, 3000 | 41 | 50934G15 |
| 05PV025H -5, -6, -7 | 4.76 | 3000 | 29 | 50934G15 |
| 75PV0500 -5, -6, -7 | 8.25 | 1200, 2000, 3000 | 18 | 50934G15 |
| 15PV1000 -5, -6, -7 | 15 | 1200, 2000, 3000 | 37 | 50934G15 |
| 15PV050H -5, -6, -7 | 15 | 3000 | 18 | 50934G15 |
| 15PV075H -5, -6, -7 | 15 | 3000 | 28 | 50934G15 |
| 15PV0750 -8, -9 | 15 | 1200, 2000 | 28 | 50934G16 |
| 15PV075H -8, -9 | 15 | 1200, 2000 | 28 | 50934G15 |
| 05PV0350 -8, -9 | 4.76 | 1200, 2000, 3000 | 41 | 50934G15 |
| 05PV025H -8, -9 | 4.76 | 3000 | 29 | 50934G15 |
| 75PV0500 -8, -9 | 8.25 | 1200, 2000, 3000 | 18 | 50934G15 |
| 15PV1000 -8, -9 | 15 | 1200, 2000, 3000 | 37 | 50934G15 |
| 15PV1300 -8, -9, -F, -G | 15 | 1200, 2000, 3000 | | |
| 15PV050H -8, -9 | 15 | 3000 | 18 | 50934G15 |
| 15PV075H -8, -9 | 15 | 3000 | 29 | 50934G15 |
| 05PV0250 -3, -4, -A, -B | 4.76 | 1200 2000 | 29 | 50934G13 |
| 15PV0500 -3, -4, -A, -B | 15 | 1200 2000 | 18 | 50934G13 |
| 15PV050H -3, -4, -A, -B | 15 | 1200 2000 | | 50934G13 |
| Bell Cranks | | | | 50111P01 |



Figure 13-1

Two Required per Phase



Figure 13-2

Strut Assmeby Kit Upgrade #677566G12P

This upgrade is recommende due to the ease of installation and the benefit of increased endurance.



Figure 13-3



Primary Conductor Assembly

| Primary Current Path (Determined by style, KA rating, and character 5-6) | | | | | | | | |
|---|----------|----------------------------|--------------------------------|---------------------------------|-------------------------------------|---|-----------|-------------------------------|
| Breaker Type | Rated kV | Rated Continuous Current A | Rated Interrupting Current(KA) | Vacuum Interrupter Assembly (A) | Sliding Contact Finger Assembly (B) | Primary Disconnecting Device(One Phase) (C) | | Ground Conductor Assembly (D) |
| 05PV0350 -6, -7, -C, -D | 4.76 | 1200 | 41 | 60500G07 | 50956G01 | 1/4" | 50740G11P | 50327G03P |
| 05PV0350 -6, -7, -C, -D | 4.76 | 2000 | 41 | 60500G07 | 50956G01 | 1/2" | 50740G10P | 50327G03P |
| 05PV0350 -6, -7, -C, -D | 4.76 | 3000 | 41 | 60500G07 | 50956G02 | 1/2" | 50740G10P | 50327G03P |
| 05PV025H -6, -7, -C, -D | 4.76 | 3000 | 29 | 60500G07 | 50956G02 | 1/2" | 50740G10P | 50327G03P |
| 75PV0500 -6, -7, -C, -D | 8.25 | 1200 | 18 | 60500G07 | 50956G01 | 1/4" | 50740G11P | 50327G03P |
| 75PV0500 -6, -7, -C, -D | 8.25 | 2000 | 18 | 60500G07 | 50956G01 | 1/2" | 50740G10P | 50327G03P |
| 75PV0500 -6, -7, -C, -D | 8.25 | 3000 | 18 | 60500G07 | 50956G02 | 1/2" | 50740G10P | 50327G03P |
| 15PV0750 -6, -7, -C, -D | 15 | 1200 | 28 | 60500G05 | 50952G01 | 1/4" | 50740G11P | 50327G03P |
| 15PV0750 -6, -7, -C, -D | 15 | 2000 | 28 | 60500G05 | 50952G01 | 1/2" | 50740G10P | 50327G03P |
| 15PV1000 -6, -7, -C, -D | 15 | 1200 | 37 | 60500G07 | 50956G01 | 1/2" | 50740G10P | 50327G03P |
| 15PV1000 -6, -7, -C, -D | 15 | 2000 | 37 | 60500G07 | 50956G01 | 1/2" | 50740G10P | 50327G03P |
| 15PV1000 -6, -7, -C, -D | 15 | 3000 | 37 | 60500G07 | 50956G02 | 1/2" | 50740G10P | 50327G03P |
| 15PV025H -6, -7, -C, -D | 15 | 3000 | | 60500G13 | 50956G02 | 1/2" | 50740G10P | 50327G03P |
| 15PV050H -6, -7, -C, -D | 15 | 3000 | 18 | 60500G07 | 50956G02 | 1/2" | 50740G10P | 50327G03P |
| 15PV075H -6, -7, -C, -D | 15 | 1200 | 28 | 60500G06 | 50956G01 | 1/2" | 50740G10P | 50327G03P |
| 15PV075H -6, -7, -C, -D | 15 | 2000 | 28 | 60500G06 | 50956G01 | 1/2" | 50740G10P | 50327G03P |
| 15PV075H -6, -7, -C, -D | 15 | 3000 | 28 | 60500G07 | 50956G02 | 1/2" | 50740G10P | 50327G03P |
| 05PV0350 -8, -9, -F, -G | 4.76 | 1200 | 41 | 60500G13 | 50956G01 | 1/4" | 50740G11P | 50327G03P |
| 05PV0350 -8, -9, -F, -G | 4.76 | 2000 | 41 | 60500G13 | 50956G01 | 1/2" | 50740G10P | 50327G03P |
| 05PV0350 -8, -9, -F, -G | 4.76 | 3000 | 41 | 60500G13 | 50956G02 | 1/2" | 50740G10P | 50327G03P |
| 05PV025H -8, -9, -F, -G | 4.76 | 3000 | 29 | 60500G13 | 50956G02 | 1/2" | 50740G10P | 50327G03P |
| 75PV0500 -8, -9, -F, -G | 8.25 | 1200 | 18 | 60500G13 | 50956G01 | 1/4" | 50740G11P | 50327G03P |
| 75PV0500 -8, -9, -F, -G | 8.25 | 2000 | 18 | 60500G13 | 50956G01 | 1/2" | 50740G10P | 50327G03P |
| 75PV0500 -8, -9, -F, -G | 8.25 | 3000 | 18 | 60500G13 | 50956G02 | 1/2" | 50740G10P | 50327G03P |
| 15PV0750 -8, -9, -F, -G | 15 | 1200 | 28 | 60500G10 | 50952G01 | 1/4" | 50740G11P | 50327G03P |
| 15PV0750 -8, -9, -F, -G | 15 | 2000 | 28 | 60500G10 | 50952G01 | 1/2" | 50740G10P | 50327G03P |
| 15PV1000 -8, -9, -F, -G | 15 | 1200 | 37 | 60500G13 | 50956G01 | 1/2" | 50740G10P | 50327G03P |
| 15PV1000 -8, -9, -F, -G | 15 | 2000 | 37 | 60500G13 | 50956G01 | 1/2" | 50740G10P | 50327G03P |
| 15PV1000 -8, -9, -F, -G | 15 | 3000 | 37 | 60500G13 | 50956G02 | 1/2" | 50740G10P | 50327G03P |
| 15PV1300 -8, -9, -F, -G | 15 | 1200 | 50 | 60500G13 | 50956G01 | 1/2" | 50740G10P | 50327G03P |
| 15PV1300 -8, -9, -F, -G | 15 | 2000 | 50 | 60500G13 | 50956G01 | 1/2" | 50740G10P | 50327G03P |
| 15PV1300 -8, -9, -F, -G | 15 | 3000 | 50 | 60500G13 | 50956G02 | 1/2" | 50740G10P | 50327G03P |
| 15PV025H -8, -9, -F, -G | 15 | 3000 | | 60500G13 | 50956G02 | 1/2" | 50740G10P | 50327G03P |
| 15PV050H -8, -9, -F, -G | 15 | 3000 | 18 | 60500G13 | 50956G02 | 1/2" | 50740G10P | 50327G03P |
| 15PV075H -8, -9, -F, -G | 15 | 1200 | 28 | 60500G11 | 50956G01 | 1/2" | 50740G10P | 50327G03P |
| 15PV075H -8, -9, -F, -G | 15 | 2000 | 28 | 60500G11 | 50956G01 | 1/2" | 50740G10P | 50327G03P |
| 15PV075H -8, -9, -F, -G | 15 | 3000 | 28 | 60500G13 | 50956G02 | 1/2" | 50740G10P | 50327G03P |

Table 14-1



Primary Conductor Assembly

| Primary Current Path (Determined by Style, kA Rating, and characters 5-6) | | | | | | | | |
|--|----------|--------------------------|--------------------------------|--------------------------------|------------------------------------|--|-----------|------------------------------|
| Breaker Type | Rated kV | Rated Continuous Current | Rated Interrupting Current(kA) | Vacuum Interrupter Assembly(A) | Sliding Finger Contact Assembly(B) | Primary Disconnecting Device(One Phase)(C) | | Ground Conductor Assembly(D) |
| 05PV0350 -5 | 4.76 | 1200 | 41 | 50955G02P | 50956G01 | 1/4" | 50740G11P | 50327G03P |
| 05PV0350 -5 | 4.76 | 2000 | 41 | 50955G02P | 50956G01 | 1/2" | 50740G10P | 50327G03P |
| 05PV0350 -5 | 4.76 | 3000 | 41 | 50955G02P | 50956G02 | 1/2" | 50740G10P | 50327G03P |
| 05PV025H -5 | 4.76 | 3000 | 29 | 50954G02P | 50956G02 | 1/2" | 50740G10P | 50327G03P |
| 75PV0500 -5 | 8.25 | 1200 | 18 | 50953G02P | 50956G01 | 1/4" | 50740G11P | 50327G03P |
| 75PV0500 -5 | 8.25 | 2000 | 18 | 50953G02P | 50956G01 | 1/2" | 50740G10P | 50327G03P |
| 75PV0500 -5 | 8.25 | 3000 | 18 | 50953G02P | 50956G02 | 1/2" | 50740G10P | 50327G03P |
| 15PV0750 -5 | 15 | 1200 | 28 | 50954G02P | 50952G01 | 1/4" | 50740G11P | 50327G03P |
| 15PV0750 -5 | 15 | 2000 | 28 | 50954G02P | 50952G01 | 1/2" | 50740G10P | 50327G03P |
| 15PV1000 -5 | 15 | 1200 | 37 | 50955G02P | 50956G01 | 1/2" | 50740G10P | 50327G03P |
| 15PV1000 -5 | 15 | 2000 | 37 | 50955G02P | 50956G01 | 1/2" | 50740G10P | 50327G03P |
| 15PV1000 -5 | 15 | 3000 | 37 | 50955G02P | 50956G02 | 1/2" | 50740G10P | 50327G03P |
| 15PV025H -5 | 15 | 3000 | | 60500G13 | 50956G02 | 1/2" | 50740G10P | 50327G03P |
| 15PV050H -5 | 15 | 3000 | 18 | 50953G02P | 50956G02 | 1/2" | 50740G10P | 50327G03P |
| 15PV075H -5 | 15 | 1200 | 28 | 50954G02P | 50956G01 | 1/2" | 50740G10P | 50327G03P |
| 15PV075H -5 | 15 | 2000 | 28 | 50954G02P | 50956G01 | 1/2" | 50740G10P | 50327G03P |
| 15PV075H -5 | 15 | 3000 | 28 | 50954G02P | 50956G02 | 1/2" | 50740G10P | 50327G03P |
| 5PV0250 -3, -4, -A, -B | 4.76 | 1200 2000 | 29 | 60149G01P | 50952G01P | 1/4" | 50740G11P | 50327G03P |
| 15PV0500 -3, -4, -A, -B | 15 | 1200 2000 | 18 | 60149G02P | 50952G01P | 1/2" | 50740G10P | 50327G03P |
| 15PV050H -3, -4, -A, -B | 15 | 1200 2000 | 18 | 60149G02P | 50952G01P | 1/2" | 50740G10P | 50327G03P |



Sold as One Phase, Upper and Lower

Figure 14-1



Mechanism



Figure 16-1



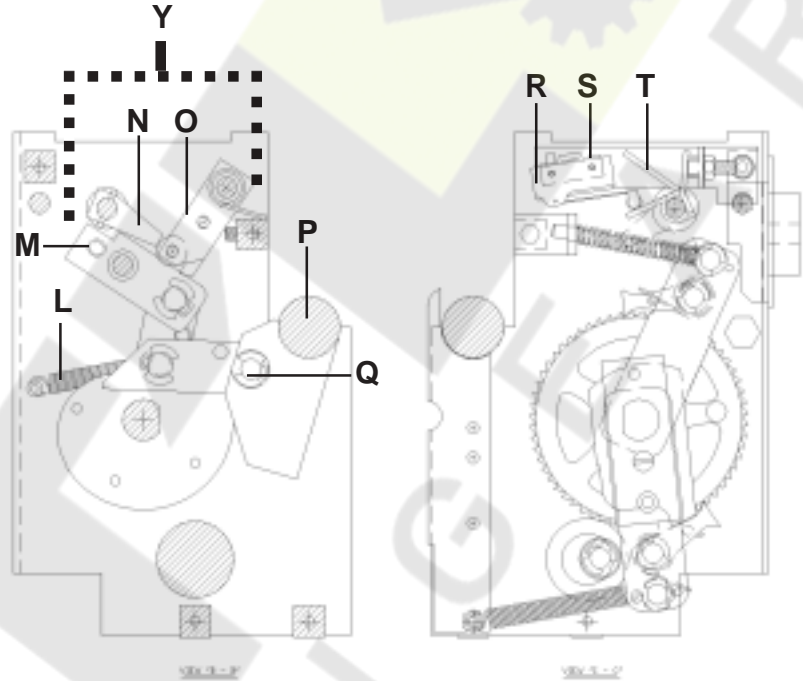
Figure 16-2



Mechanism Assembly

| Mechanism Assembly | | |
|--------------------|------------------------------|-------------|
| Ref. No. | Description | Catalog No. |
| A | Hand Charge Cover Plate | 50141P01 |
| B | Hand Charge Bracket | 50965H01 |
| C | Trip Prop Shaft | 50223P05 |
| D | Secondary Trip Shaft | 50254P01 |
| E | Torsion Spring .903" OD | 50706P02 |
| F | Trip Lever | 50183P01 |
| G | Spring Support | 50090P01 |
| H | Trip Arm Spring | 50704P22 |
| I | Close Flag Return Spring | 50704P01 |
| J | Open-Close Flag Link | 50102P01 |
| K | Jackshaft Support Plate | 60134P01 |
| L | .50" OD x 3" External Spring | 50704P07 |
| M | Fixed Link Pin | 50223P04 |
| N | Secondary Trip Prop | 50201P01 |
| O | Main Trip Prop | 50908G01 |
| P | JackShaft Weldment | 60143H01 |
| Q | Main Link & Pushrod Pin | 50223P01 |
| R | Latch Check Switch | BA-2RV2-A2 |
| S | Limit Switch Plate | 50185P01 |
| T | Latch Check Operator | 50020P01 |
| U | .625" Spacer | 50214P11 |
| V | Left Hand Pawl Spring | 50701P02 |
| W | Trip Shaft Assembly | 50927G01P |
| X | Mechanism Sub-Assembly | 60145G02 |
| Y | Fundamental Linkage Assembly | 50907G01 |
| Hardware | | |
| | 250 Tab | 42822-4 |
| | Spring Mandrel Spacer | 50233P01 |

Table 17-1



Trip Shaft Assembly #50927G01P

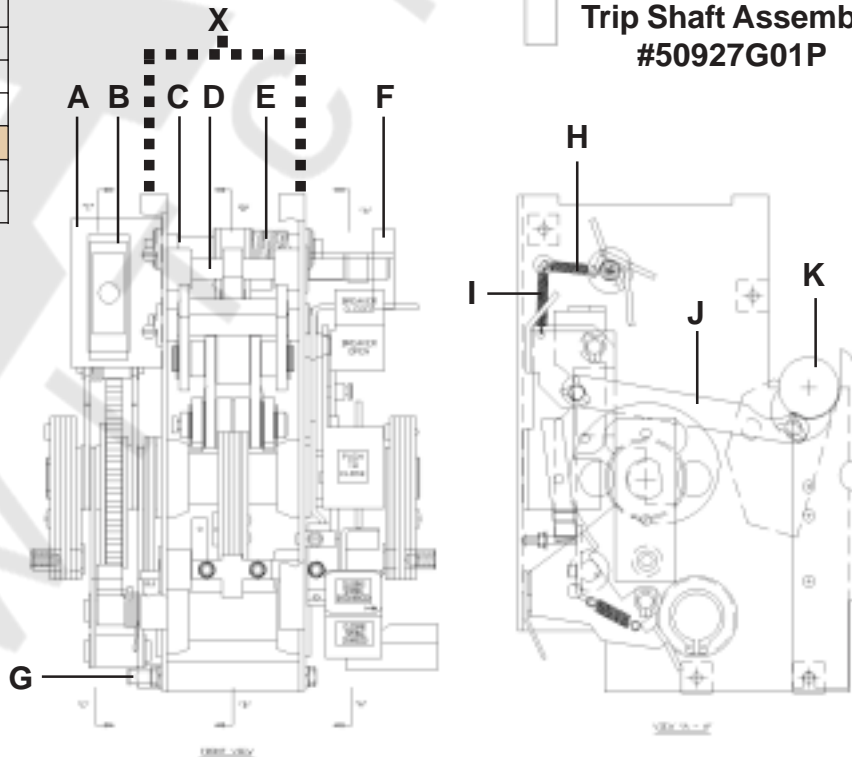
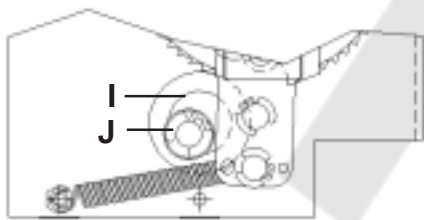


Figure 17-1

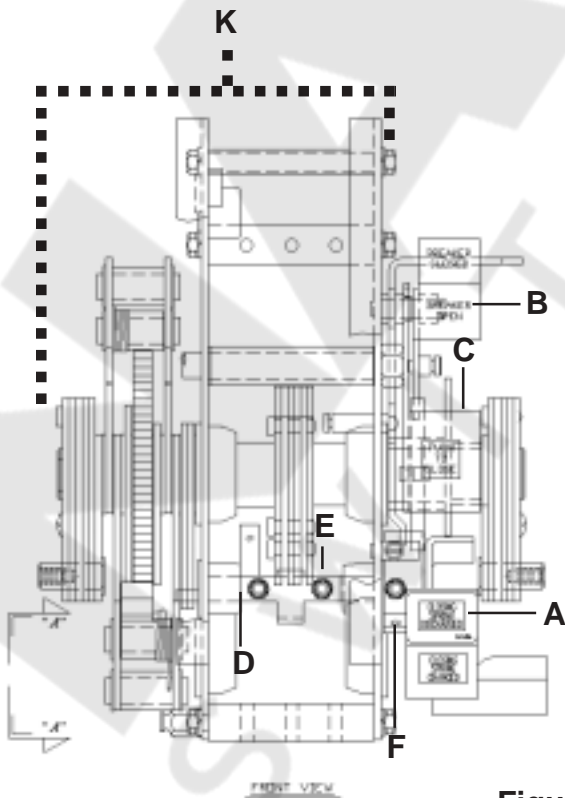


Mechanism Sub-Assembly

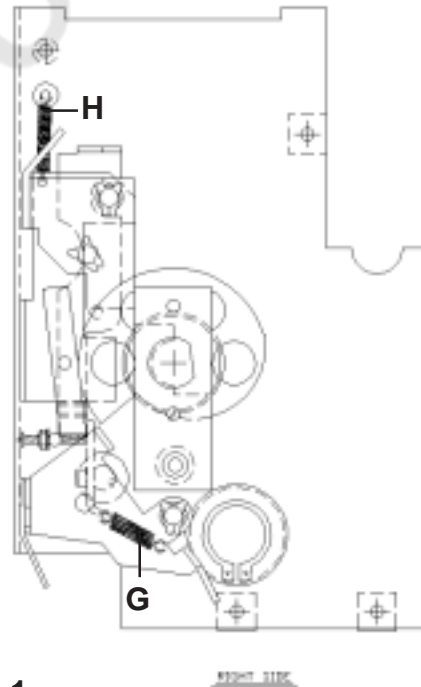
| Mechanism Sub-Assembly | | |
|------------------------|--|-------------|
| Ref. No. | Description | Catalog No. |
| A | Spring Charge Indicator Weldment | 5098H01 |
| B | Open-Close Indicator Assembly | 50971G01 |
| C | Push to Close Flag Assembly | 50928G01 |
| D | Close Latch Bar | 50220P01 |
| E | Close Bar Solid Arm | 50126P01 |
| F | Close Bar Locator | 50150P01 |
| G | Close Latch Bar Return Spring | 50704P01 |
| H | Flag Return Spring | 50704P02 |
| I | Motor Shaft | 50204P01 |
| J | Eccentric Roller Assembly | 50988G01 |
| K | Frame and Shaft Sub-Assembly | 60144G02 |
| | Mechanism Discharge Lever Assembly | 50948G01 |
| Hardware | | |
| | Truarc Return Ring | 50709P07 |
| | Truarc 1/2" Klipping | 50709P05 |
| | .380" I.D. x .010" Wave Washer | W5056 |
| | 10-32 x 1/2" Hex Socket Head Cap Screw | W1072 |
| | 8-32 x 1 3/8" Round Head Machine Screw | W1333 |
| | External Tooth Lockwasher #10 | W5054 |
| | 8-32 Hex Nut | W3003 |
| | External Tooth Lockwasher #8 | W5053 |
| | "X" Washer | W5151 |



VIEW "A-C"



FRONT VIEW



RIGHT VIEW

Table 18-1

Figure 18-1



Frame and Shaft Sub-Assembly

| Frame and Shaft Sub-Assembly | | |
|------------------------------|---|-------------|
| Ref. No. | Description | Catalog No. |
| A | Crank Arm | 50925G01 |
| B | Spacer | 50258P03 |
| C | Indicator Cam | 50125P01 |
| D | Spacer | 50258P01 |
| E | Race(inner) | 50708P02 |
| F | Cam Position Spacer | 50246P01 |
| G | Closing Cam | 50909G01 |
| H | Mechanism Spacer | 50214P07 |
| I | Mechanism Spacer | 50259P05 |
| J | Mechanism Meeting Bar | 50244P01 |
| K | Pawl Return Spring Bracket | 50196P01 |
| L | Pawl Return Spring | 50703P38 |
| M | Hold Pawl Eccentric | 50264901 |
| N | Spring Charge Shaft Assembly | 50926G03 |
| Hardware | | |
| | Thrust Washer | 50707P03 |
| | 1/4"-20 x 3/4" Truss Head Machine Screw | W1561 |
| | 5/16"-18 x 1/2"H.H. Cap Screw | W1057 |
| | 5/16"-18 x 3/4" H.H. Cap Screw | W1217 |
| | 5/16" Split Lockwasher | W5005 |
| | 5/16"-18 Hex Nut | W3006 |
| | 5/16"-18 x 1 1/2" Hex Socket Screw | W1065 |
| | 1/2"-13 x 6 1/4" H.H. Cap Screw | W1058 |
| | 1/2"-13 Self Locking Hex Nut | W3739 |
| | 1/4"-20 x 3/16" Socket Set Screw Flat Point | W0271 |
| | 1/4"-20 x 3/8" Socket Set Half Dog Point | W0272 |

Table 19-1

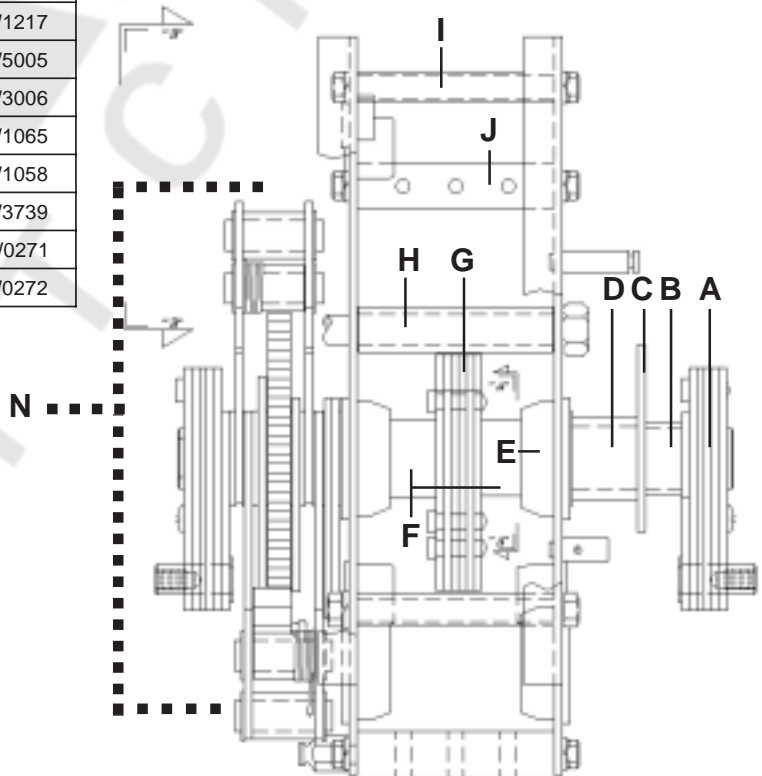
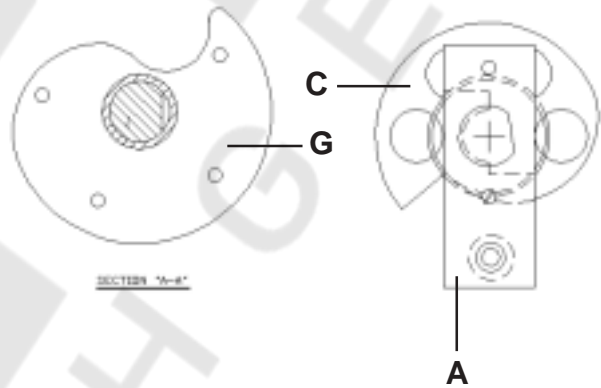
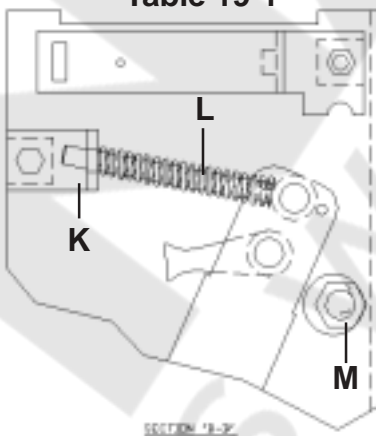


Figure 19-1



Fundamental Linkage Assembly

| Fundamental Linkage Assembly #50907G01 | | |
|---|-------------------------------------|-------------|
| Ref. No. | Description | Catalog No. |
| A | Fundamental Jackshaft Link Assembly | 50904G01 |
| B | Main Linkage Reset Spring | 50704P03 |
| C | Main Linkage Pin "B" | 50265P01 |
| D | Truarc Retaining Ring | 50709P06 |
| E | Fundamental Floating Link Assembly | 50906G01 |
| F | Main Linkage Pin "C" | 50223P03 |
| G | Fundamental Fixed Link Assembly | 50905G01 |
| H | Torrington Thrust Race | 50707P05 |
| I | Cam Roller | 50217P01 |
| J | Needle Bearing | 50708P04 |
| K | Cam Roller | 50217P02 |
| L | Main Mechanism Link Spacer | 50240P01 |

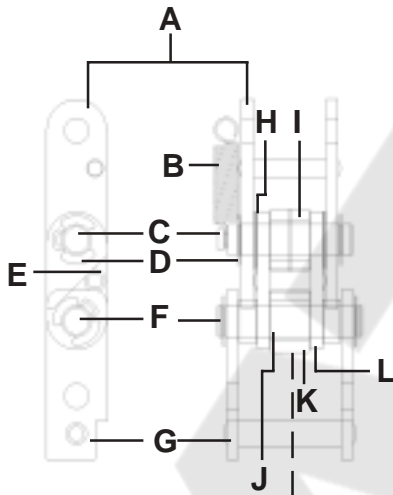


Figure 20-1

Table 20-1

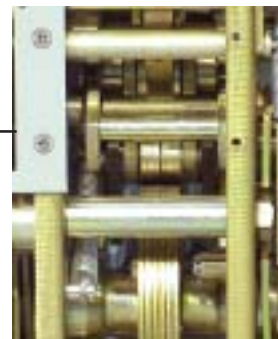


Figure 20-2

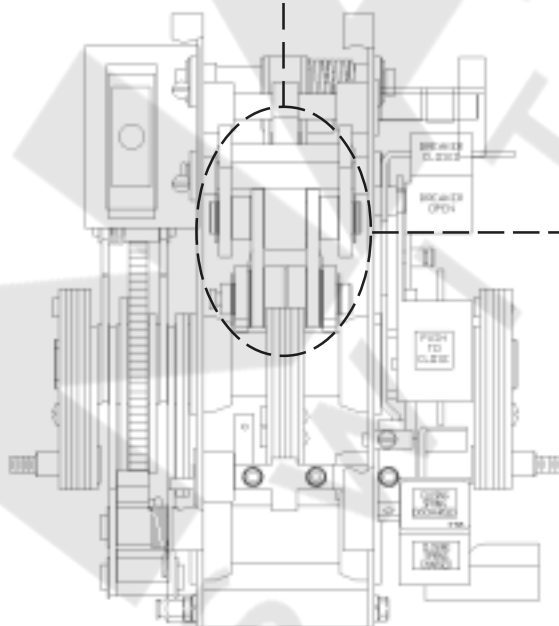


Figure 20-1



Spring Charge Shaft Assembly PVS-3 Mechanism

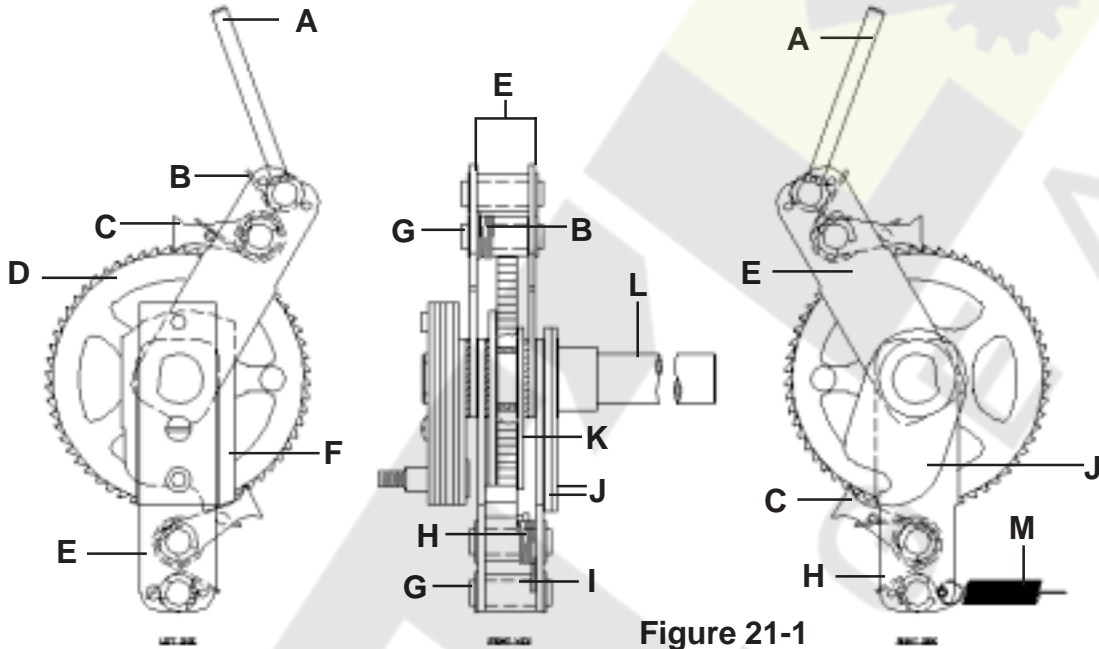


Figure 21-1

| Main Drive Shaft | | |
|------------------|-----------------------------|-------------|
| Ref. No. | Description | Catalog No. |
| A | Pawl Return Spring Weldment | 50959H01 |
| B | Torsion Spring L.H. | 50701P02 |
| C | Pawl | 50205P01 |
| D | Ratchet Wheel | 50219P01 |
| E | Pawl Support Arm | 50112P01 |
| F | Lift Drive Plate | 50113P01 |
| G | Pawl Support Pin | 50223P06 |
| H | Torsion Spring R.H. | 50701P01 |
| I | Support Arm Spacer | 50214P01 |
| J | Close Latch Plate | 50114P01 |
| K | Drive Plate | 50115P01 |
| L | D Shaft | 50241P01 |
| M | Lower Pawl Return Spring | 50704P04 |

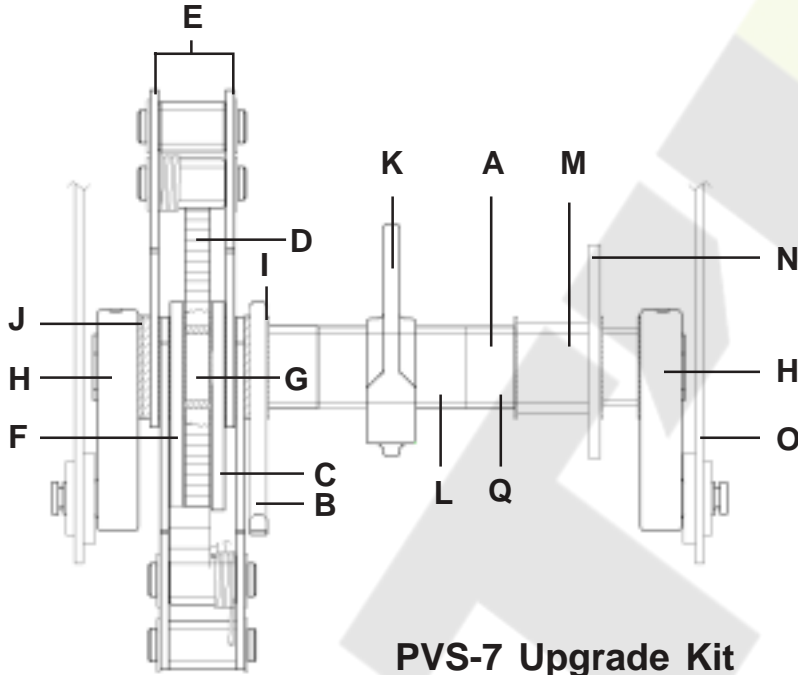
Table 21-1

| Hardware | |
|---------------------------------------|-------------|
| Description | Catalog No. |
| Torrington Race(.090) | 50707P04 |
| Torrington Race(.030) | 50707P03 |
| Ratchet Wheel Bushing | 50226P01 |
| Truarc Retention Ring | 50709P05 |
| Inner Race | 50708P02 |
| Flat Head Socket Cap Screw | W0226 |
| #8-32 x 1/2" Round Head Machine Screw | W1330 |
| #6 External Tooth Lock Washer | W5053 |
| Toplock 8-32 x 11/32 x 1/8 | W0098 |
| Torrington Race(.030) | 50707P01 |

Table 21-2



PVS-7 Mechanism Upgrade



**PVS-7 Upgrade Kit
#50926G03P**

Figure 22-1

The PVS-7 upgrade kit is comprised of cast stainless steel parts which replace the stamped parts of the PVS-3 mechanism.

| -2 Replacement Parts #50926G03P | | |
|------------------------------------|--|---------------|
| Ref. Letter | Description | Catalog No. |
| A | D Shaft | 50241P03 |
| B | Close Latch Plate X 2 | 50114P02 |
| C | Drive Plate | 50115P02 |
| D | Ratchet Wheel | 50219P01 |
| E | Pawl Support Arms X 4 | 50112P01 |
| F | Pawl Lift Drive Plate | 50113P02 |
| G | Ratchet Wheel Bushing | 50226P01 |
| H | Crank Arm Casting X 2 | 50144P03 |
| I | Torrington Race (.030) x 7 | 50707P03 |
| J | Torrington Race(.090) x 2 | 50707P04 |
| K | Closing Cam | 50245P02 |
| L | Cam Position Spacer | 50256P01 |
| M | Spacer | 50258P01 |
| N | Indicator Cam | 50125P02 |
| O | Connection Rod Assembly | 50117G01P |
| P | Spacer | 50258P03 |
| Q | Inner Race | 50708P02 |
| | Powl Lube | POWLUBE - 102 |
| | X - Washer | W5153 |
| | 1/4" - 20 x 3/16" Socket Set Screw Flat Head Point | W0271 |
| | 1/4" - 20 x 3/8" Socket Set Half Dog Point | W0272 |

Table 22-1



Figure 22-2



Spring Charge Shaft Assembly PVS -7 Mechanism

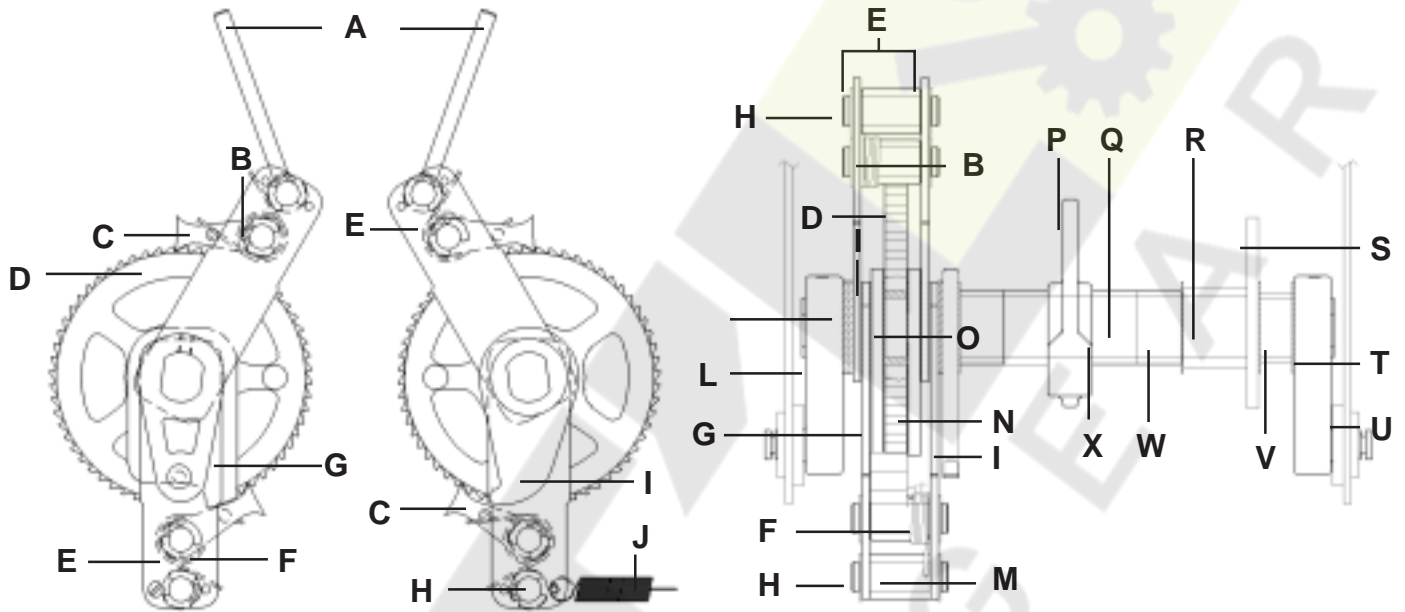


Figure 23-1

| Main Drive Shaft | | |
|------------------|-----------------------------|-------------|
| Ref. No. | Description | Catalog No. |
| A | Pawl Return Spring Weldment | 50959H01 |
| B | Torsion Spring L.H. | 50701P02 |
| C | Pawl | 50205P01 |
| D | Ratchet Wheel | 50219P01 |
| E | Pawl Support Arm | 50112P01 |
| F | Torsion Spring R.H. | 50701P01 |
| G | Lift Drive Plate | 50113P02 |
| H | Pawl Support Pin | 50223P06 |
| I | Close Latch Plate | 50114P02 |
| J | Lower Pawl Return Spring | 50704P04 |
| K | Torrington Race (.090) | 50707P04 |
| L | LH Crank Arm Casting | 50144P02 |
| M | Support Arm Spacer | 50214P01 |
| N | Drive Plate | 50115P02 |
| O | Ratchet Wheel Bushing | 50226P01 |
| P | Closing Cam | 50245P02 |
| Q | Double 'D' Shaft | 50141P03 |
| R | Spacer | 50258P01 |
| S | Indicator Cam | 50125P02 |
| T | RH Crank Arm Casting | 50144P03 |
| U | Connection Rod Assembly | 50117G01P |
| V | Spacer | 50258P03 |
| W | Inner Race | 50708P02 |
| X | Cam Position Spacer | 50246P01 |

Table 23-1

| Hardware | |
|---------------------------------------|-------------|
| Description | Catalog No. |
| Truarc Retention Ring | 50709P05 |
| Flat Head Socket Cap Screw | W0226 |
| #8-32 x 1/2" Round Head Machine Screw | W1330 |
| #6 External Tooth Lock Washer | W5053 |
| Toplock 8-32 x 11/32 x 1/8 | W0098 |

Table 23-2



STD Master Mechanism Assembly

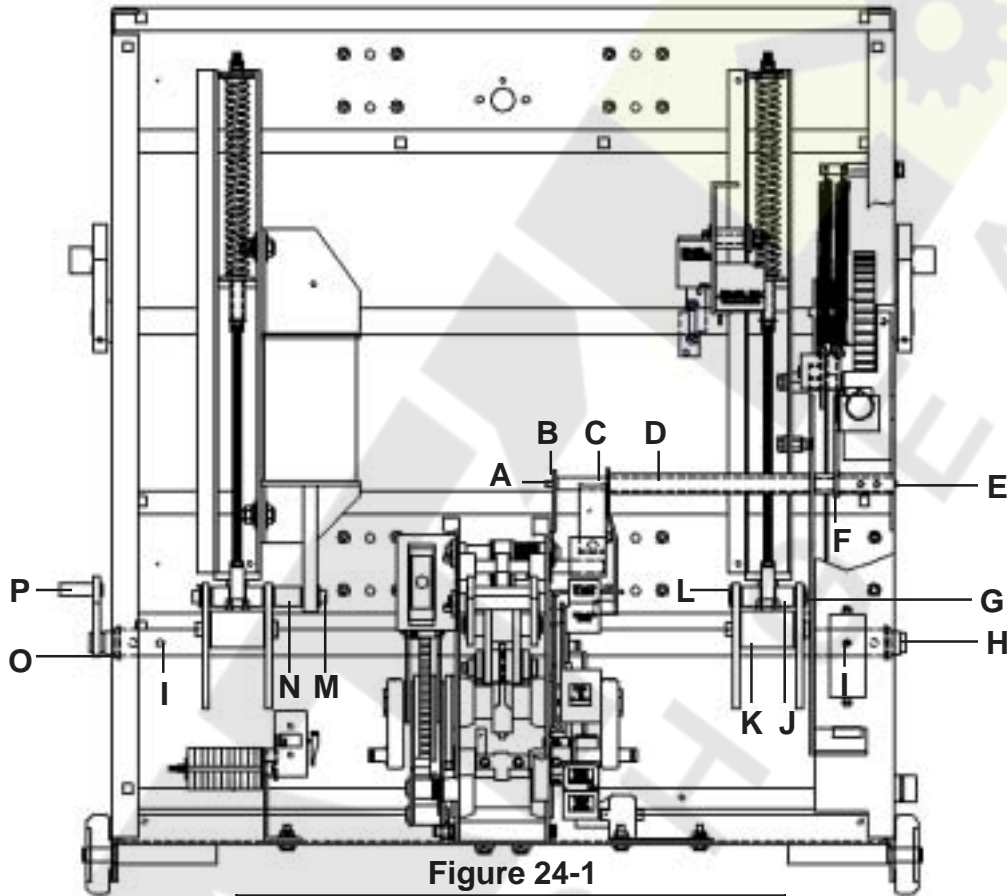


Figure 24-1

| STD Master Mechanism Assembly | | |
|-------------------------------|--|----------------------|
| Ref. Let. | Description | Catalog No. |
| A | Torsion Spring | 50706P01 |
| B | Shaft Support | 50162P01 |
| C | Push to Trip Shaft Weldment | 50980H01 |
| D | Secondary Disconnect Trip Arm Weldment | 50981H04 |
| E | Main Trip Shutter Interlock Weldment | 50977H01 |
| F | 5/8" Spacer | 50214P11 |
| G | Main Link & Pushrod Pin | 50223P01 |
| H | Support Pin, Jackshaft | 50282P01 |
| I | 5/16" x 1-1/4" Spirol Pin | 50712P02 |
| J | 47/64" Spacer | 50214P02 |
| K | Spacer Assembly | 50214G01 50214G02 |
| L | Retaining Ring | 50709P05 |
| M | Jackshaft Link & Dashpot Pin | 50223P02 |
| N | Dashpot Spacer | 50214P05 |
| O | Torrington Race | 50707P02 |
| P | MOC Strike Arm Weldment | 50973H01 |

Table 24-1



CDR Master Mechanism Assembly

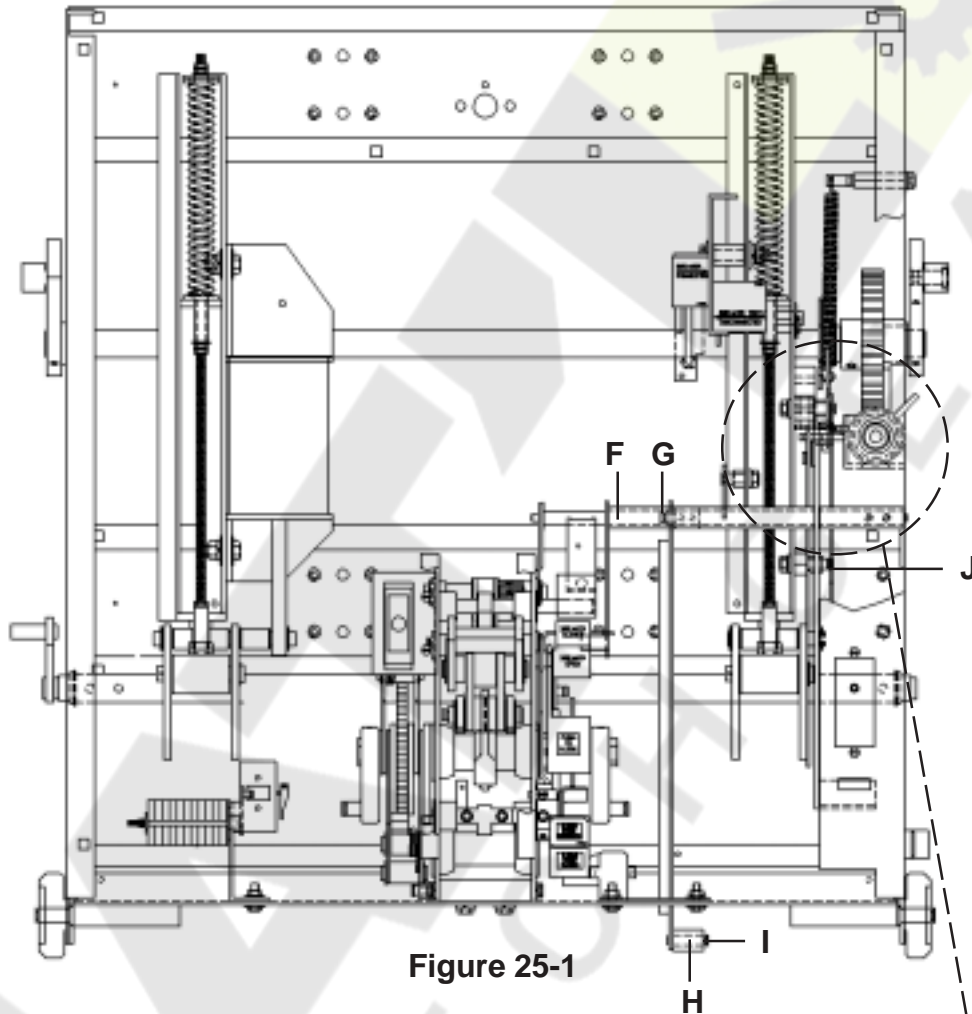
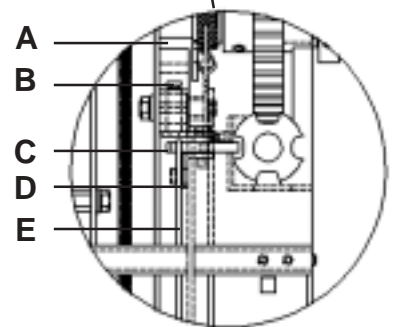


Figure 25-1

| Master Mechanism Assembly-CDR | | |
|-------------------------------|--|-------------|
| Ref. Let. | Description | Catalog No. |
| A | Locking Bar Pivot Support | 60705P01 |
| B | Locking Bar Pivot Weldment | 60704H01 |
| C | Locking Bar | 60702P01 |
| D | Pivot Lever Actuator | 60716P01 |
| E | Interlock Drive Arm Assy | 60708G10 |
| F | Secondary Disconnect Trip Arm Weldment | 50981H02 |
| G | Trip Arm Assembly | 60711G01 |
| H | Floor Trip Roller | 60709P01 |
| I | Floor Trip Linkage Assembly | 60710P01 |
| J | Racking Shutter Support Pin | 50011P04 |

Table 25-1





STD Racking Mechanism

| Basic Breaker Assembly | | |
|------------------------|-------------------------------|-------------|
| Ref. Letter | Description | Catalog No. |
| A | Levering Crank Arm Assembly | 50923G01 |
| B | Racking Gear | 50296P01 |
| C | Interlock Cam Assembly | 50984H01 |
| D | Worm Gear | 50297P01 |
| E | Worm Shaft Stop Bushing | 50874P01 |
| F | Worm Shaft Drive Plate | 50875P01 |
| G | .188" x .875" Hbt Spirol Pin | 50712P05 |
| H | Worm Shaft Hex Drive Sleeve | 50872P01 |
| I | Stab Spacer | 51265P01 |
| J | Levering in Worm Shaft | 50871P01 |
| K | Torrington race (.090) | 50707P04 |
| L | .25" x 1.625" Hbt Spirol Pin | 50712P01 |
| M | Worm Wheel Spacer | 50923P01 |
| N | .312" x 1.875" Hbt Spirol Pin | 50712P03 |
| O | Levering in Shaft | 50231P01 |

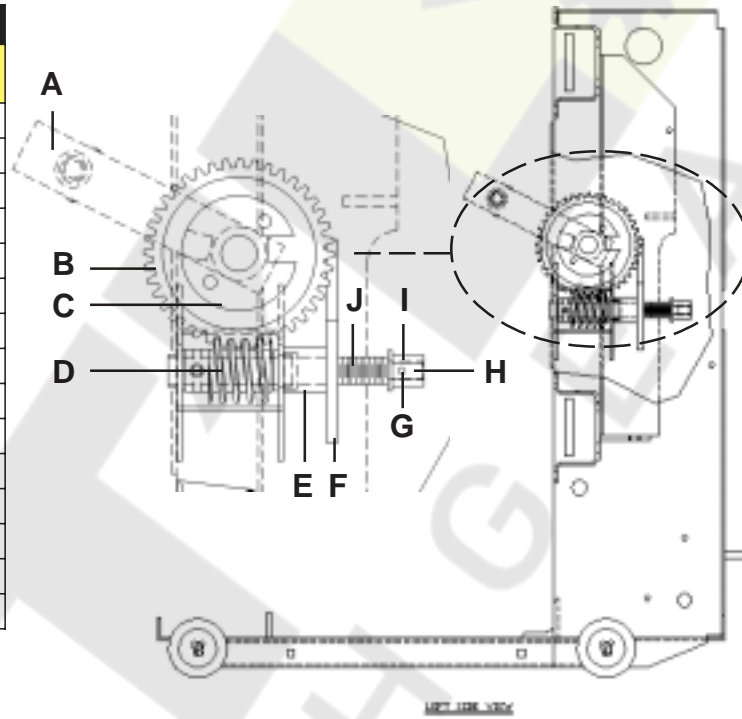


Table 26-1

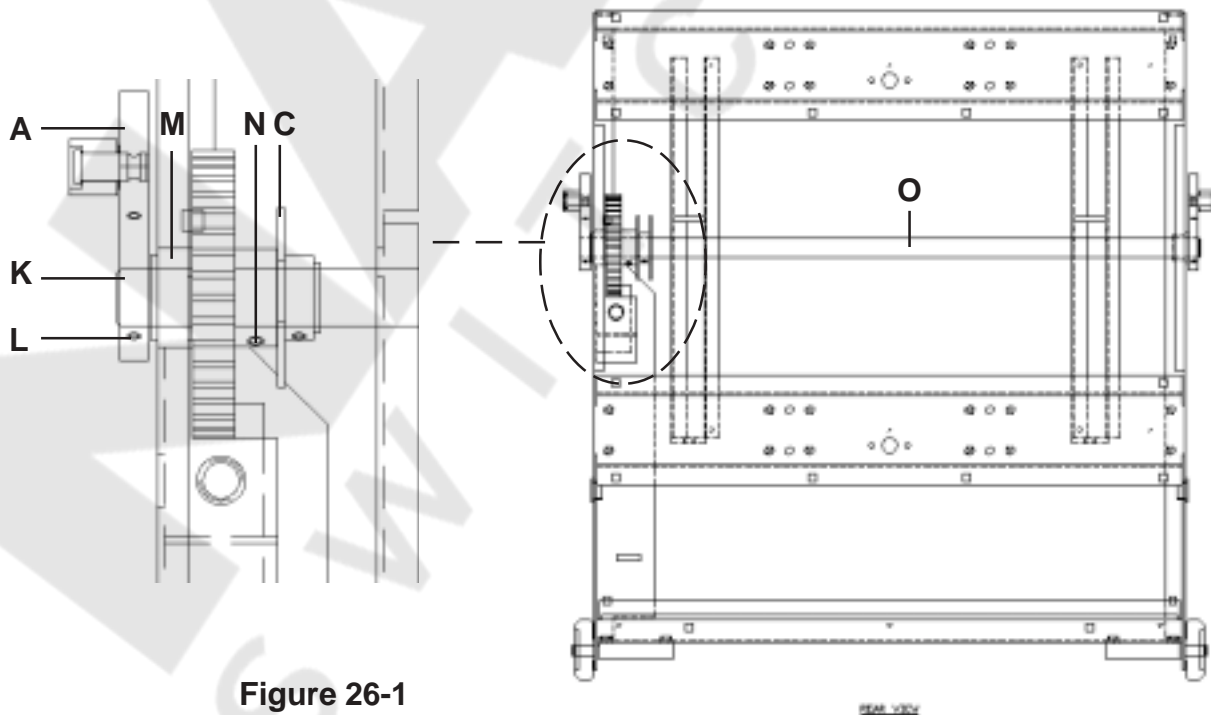


Figure 26-1



CDR Racking Mechanism

| Basic Breaker Assembly | | |
|------------------------|----------------------------------|-------------|
| Ref. Let. | Description | Catalog No. |
| A | Levering Crank Arm Assembly | 50923G01 |
| B | Racking Gear | 50296P01 |
| C | Interlock Cam Assembly | 50984H02 |
| D | Worm Gear | 50297P01 |
| E | Racking Shaft Weldment | 50712H01 |
| F | Racking Shaft Extension Weldment | 60713H01 |
| G | Torrington race (.090) | 50707P04 |
| H | .25" x 1.625" Hbt Spirol Pin | 50712P01 |
| I | Worm Wheel Spacer | 50293P01 |
| J | .312" x 1.875" Hbt Spirol Pin | 50712P03 |
| K | Levering in Shaft | 50231P01 |

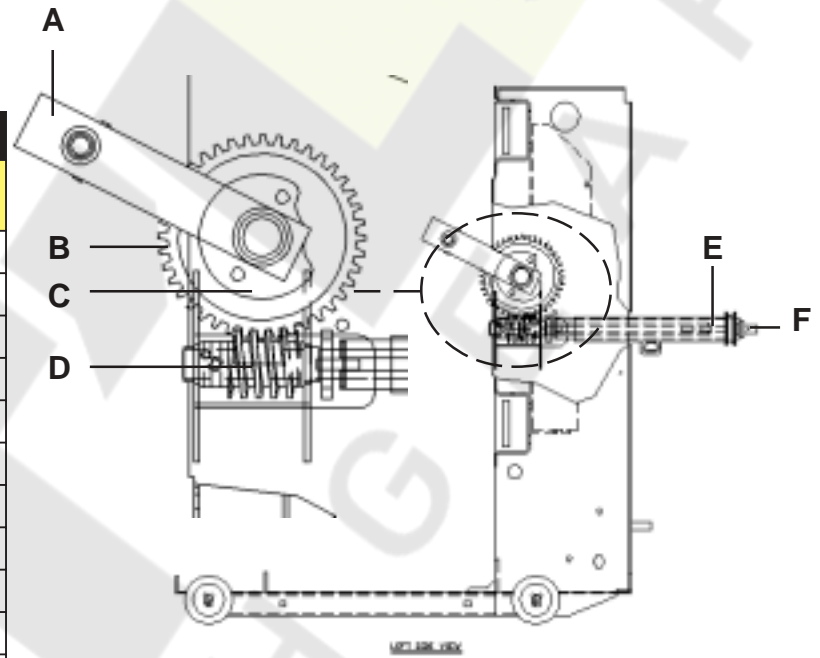


Table 27-1

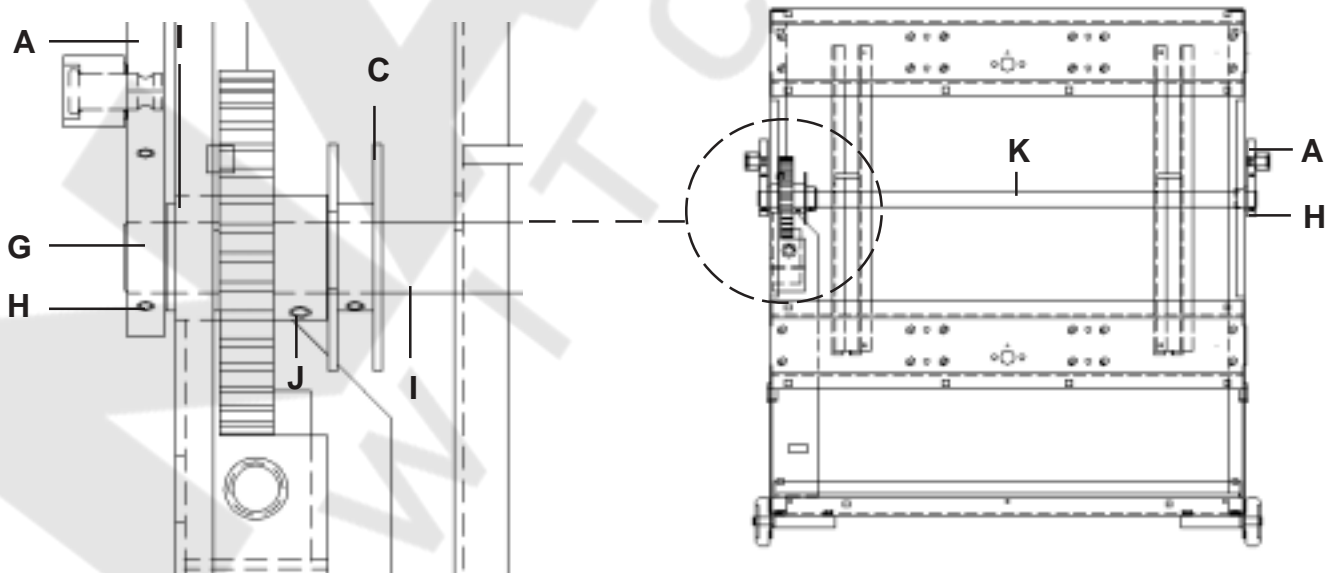


Figure 27-1



STD Interlock to Frame

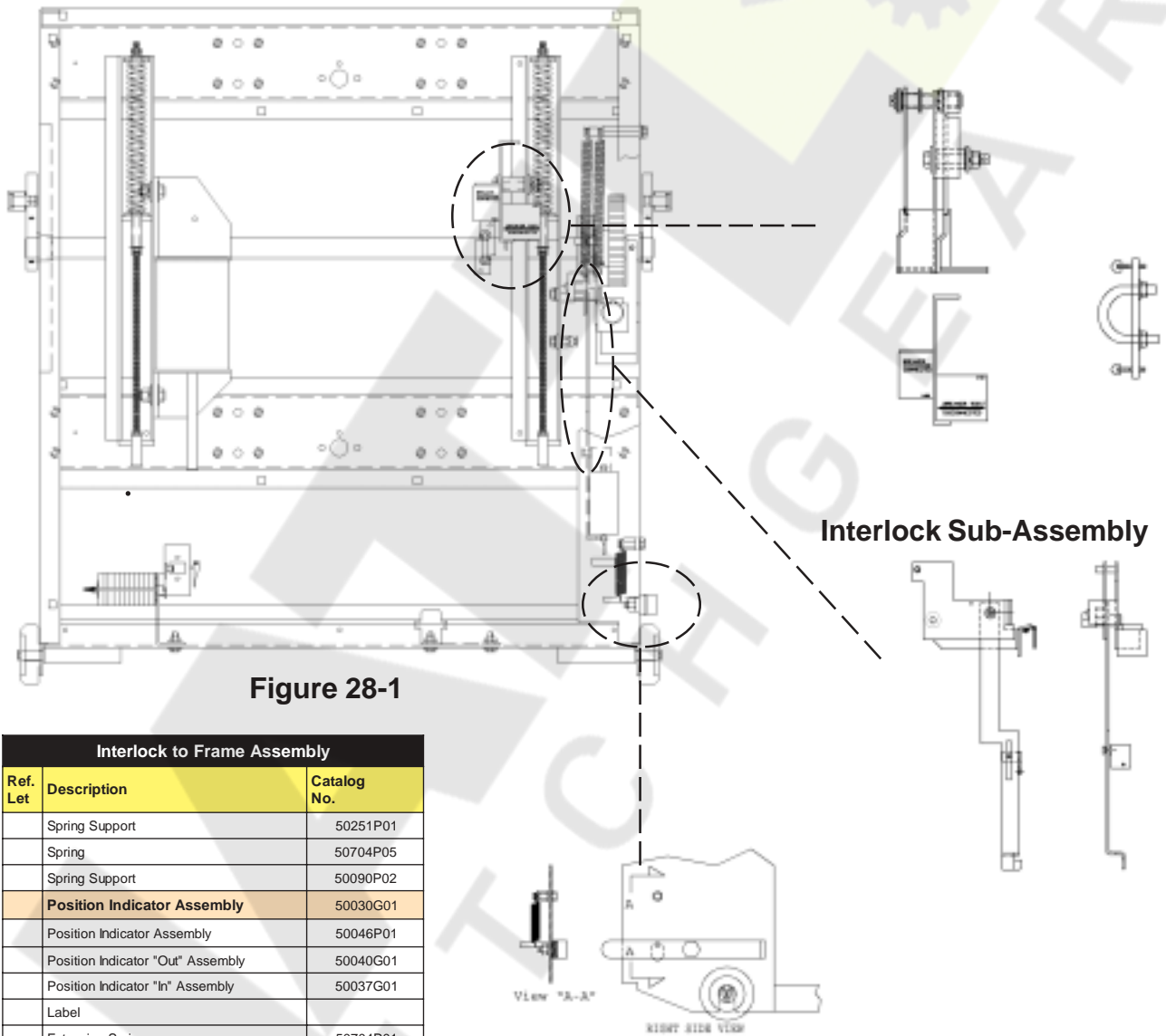


Figure 28-1

| Interlock to Frame Assembly | | |
|-----------------------------|--------------------------------------|-----------------|
| Ref. Let | Description | Catalog No. |
| | Spring Support | 50251P01 |
| | Spring | 50704P05 |
| | Spring Support | 50090P02 |
| | Position Indicator Assembly | 50030G01 |
| | Position Indicator Assembly | 50046P01 |
| | Position Indicator "Out" Assembly | 50040G01 |
| | Position Indicator "In" Assembly | 50037G01 |
| | Label | |
| | Extension Spring | 50704P01 |
| | Interlock Sub-Assembly | 50916G01 |
| | Secondary Disconnect Interlock Lever | 50976G01 |
| | Secondary Disconnect Locking Slider | 50978G01 |
| | Levering Interlock Lever | 50949G01 |
| | Racking Shutter Support Pin | 50011P01 |
| | Push-On Retaining Ring | 50707P02 |
| | Anti-Rollout Assembly | 50328G01 |
| | Anti-Rollout Latch | 50804P01 |
| | Anti-Rollout Latch Pivot | 50243P01 |
| | Spring | 50704P03 |
| | Spring Support | 50090P01 |

Table 28-1



CDR Interlock to Frame

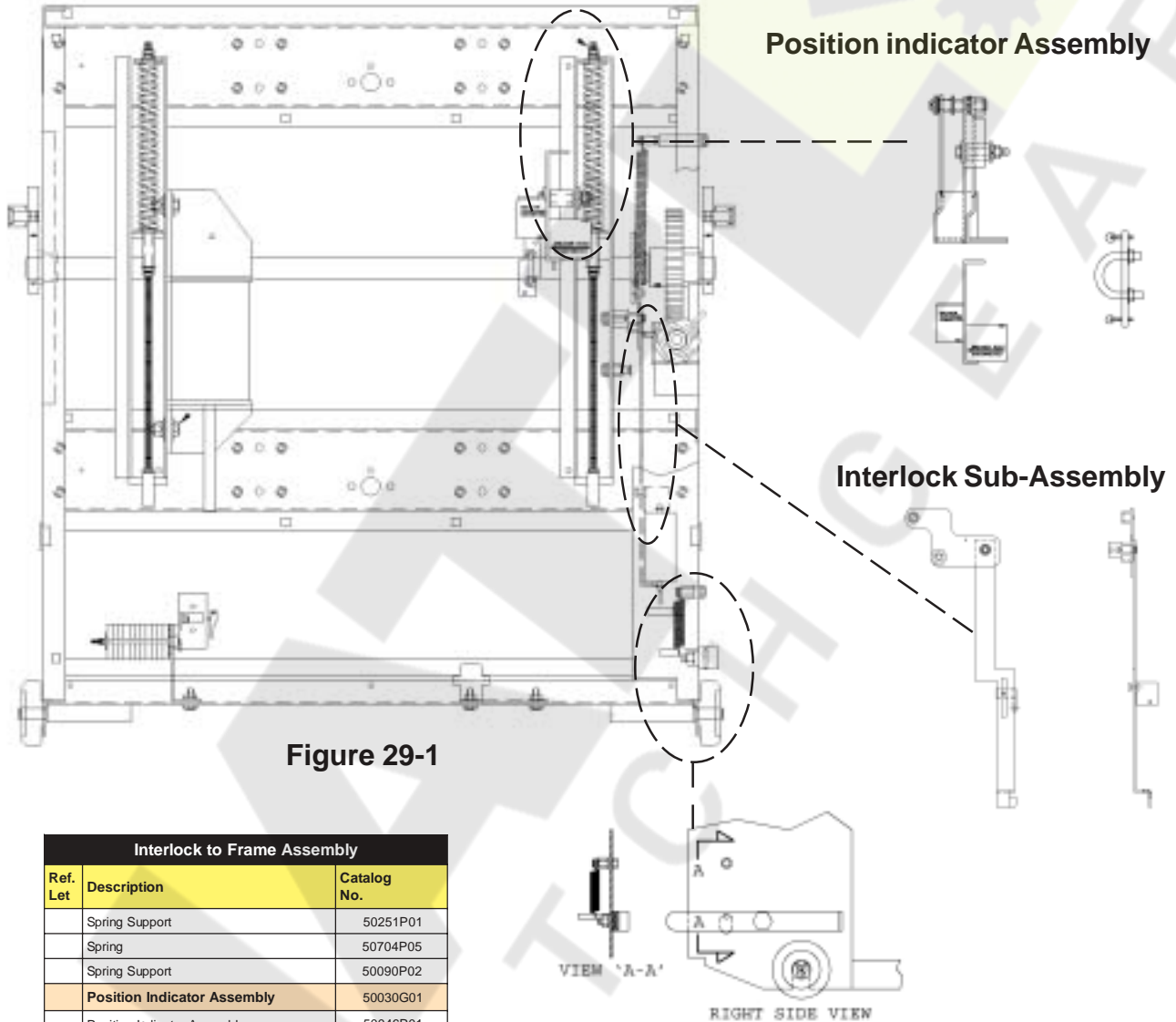


Figure 29-1

| Interlock to Frame Assembly | | |
|-----------------------------|---|-------------|
| Ref. Let | Description | Catalog No. |
| | Spring Support | 50251P01 |
| | Spring | 50704P05 |
| | Spring Support | 50090P02 |
| | Position Indicator Assembly | 50030G01 |
| | Position Indicator Assembly | 50046P01 |
| | Position Indicator "Out" Assembly | 50040G01 |
| | Position Indicator "In" Assembly | 50037G01 |
| | Label | |
| | Extension Spring | 50704P01 |
| | Interlock Sub-Assembly | 50916G02 |
| | Secondary Disconnect Interlock Assembly | 50976G02 |
| | Secondary Disconnect Locking Slider | 50978G01 |
| | Racking Shutter Support Pin | 50011P03 |
| | Push-On Retaining Ring | 50707P02 |
| | Anti-Rollout Assembly | 50328G01 |
| | Anti-Rollout Latch | 50804P01 |
| | Anti-Rollout Latch Pivot | 50243P01 |
| | Spring | 50704P03 |
| | Spring Support | 50090P01 |

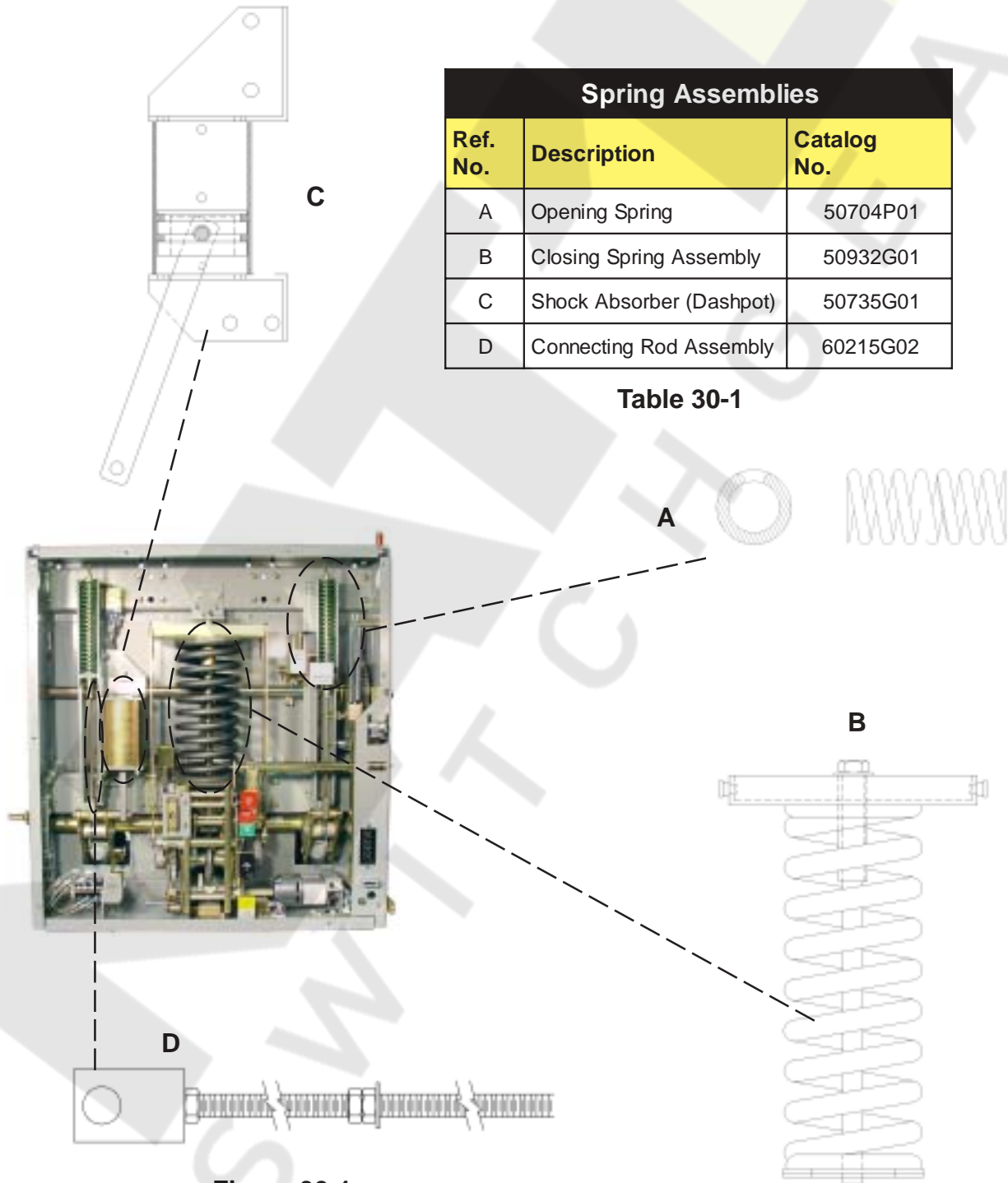
Table 29-1

| Anti-Rollout Latch Assembly | | |
|-----------------------------|----------------------------|-------------|
| Ref. Let. | Description | Catalog No. |
| A | Locking Bar Pivot Support | 60705P01 |
| B | Locking Bar Pivot Weldment | 60704H01 |
| C | Locking Bar | 60702P01 |
| D | Pivot Lever Actuator | 60716P01 |
| E | Interlock Drive Arm Assy | 60708G10 |

Table 29-2



Stored Energy Components



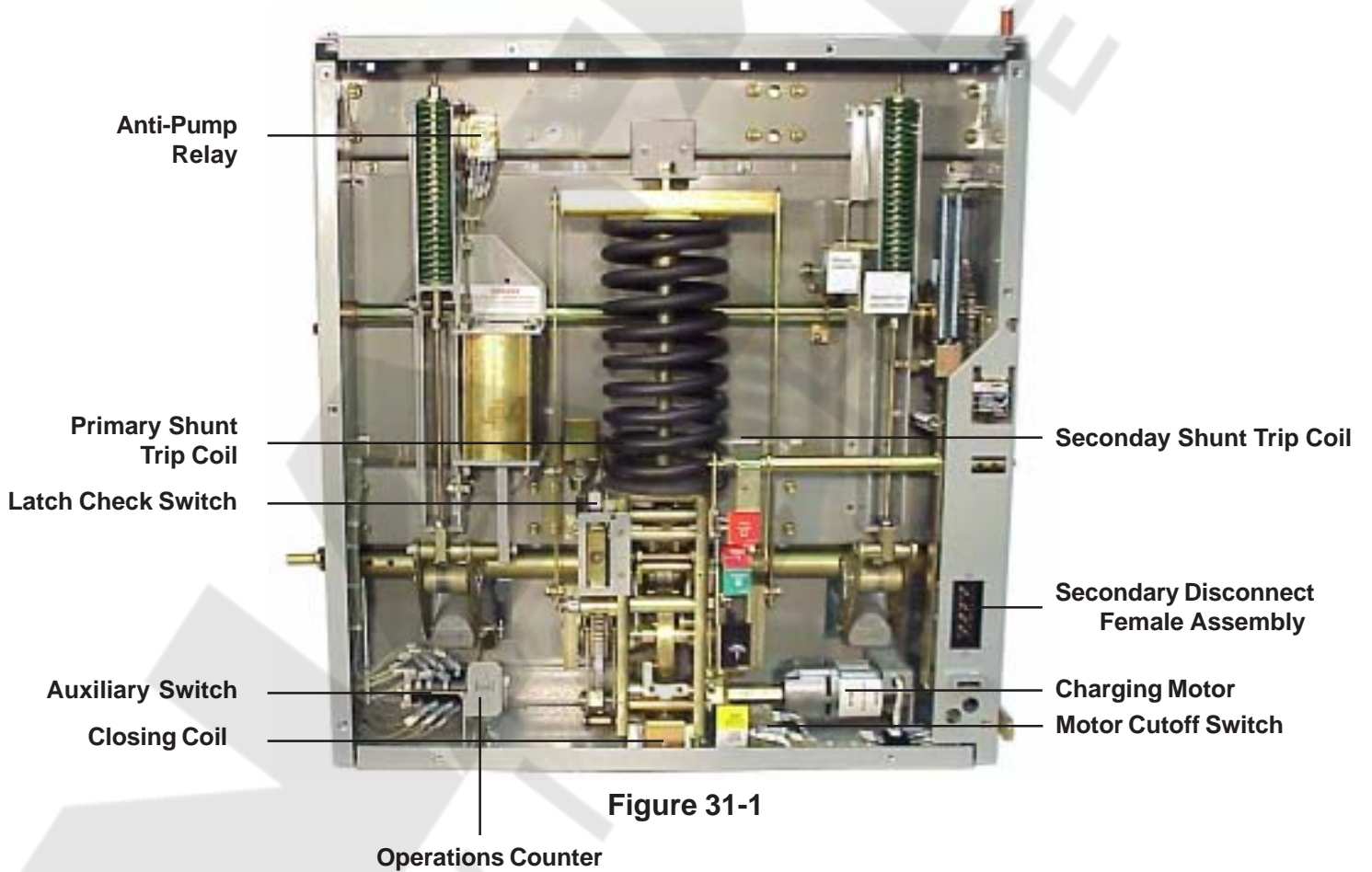
| Spring Assemblies | | |
|-------------------|--------------------------|-------------|
| Ref. No. | Description | Catalog No. |
| A | Opening Spring | 50704P01 |
| B | Closing Spring Assembly | 50932G01 |
| C | Shock Absorber (Dashpot) | 50735G01 |
| D | Connecting Rod Assembly | 60215G02 |

Table 30-1

Figure 30-1



Control Devices





Control Devices

| Closing Components (determined by style and character 12) | | | |
|---|------------------------------------|--|------------------------|
| Character Code | Control Voltage | Catalog No. | Catalog No. |
| | | Closing Coil Assembly | Anti-pump Relay |
| B | 48 VDC | 50026G01P | RR2BA-US-DC48V |
| C | 125 VDC | 50026G03P | RR2BA-US-DC110V |
| D | 250 VDC | 50026G04P | RR2BA-US-DC110V |
| E | 120 VAC | 50026G01P | RR2BA-US-AC120V |
| F | 240 VAC | 50026G02P | RR2BA-US-AC240V |
| Trip Coil Component (Determined by character 13) | | | |
| | | 3 cycle | |
| A | 24 VDC | 50027G5P | |
| B | 48 VDC | 50027G1P | |
| C | 125 VDC | 50027G2P | |
| D | 250 VDC | 50027G3P | |
| E | 120 VAC | 50027G1P | |
| F | 240 VAC | 50027G6P | |
| G | Capacitor Trip 240 VAC | 50027G4P | |
| | | 5 Cycle | |
| J | 24 VDC | 50041G08P | |
| K | 48 VDC | 50041G01P | |
| L | 125 VDC | 50041G02P | |
| M | 250 VDC | 50041G03P | |
| N | 120 VAC | 50041G05P | |
| P | 240 VAC | 50041G06P | |
| Q | Capacitor Trip 240 VAC | 50041G04P | |
| Spring Charge Motor (Determined by style and character 14) | | | |
| | | Spring Charge Motor and Bracket | |
| B | 48 VDC | 50960G06P | |
| C | 125 VDC | 50960G04P | |
| D | 250 VDC | 50960G05P | |
| E | 120 VAC | 50960G04P | |
| F | 240 VAC | 50960G05P | |
| M | 120 VAC/DC Separately connected | 50960G04P | |
| N | 250 VAC/DC Separately connected | 50960G05P | |

Table32-1



Figure 32-1



Control Devices

| Optional Auxiliary Components (Determined by style and character 15) | | |
|---|------------------------------------|------------------------------|
| Control Voltage | Secondary Shunt Trip Coil Assembly | Undervoltage Device Assembly |
| 24 VDC | 50042G06P | 50028G04P |
| 48 VDC | 50042G01P | 50028G03P |
| 125 VDC | 50042G03P | 50028G01P |
| 250 VDC | 50042G04P | 50028G02P |
| 120 VAC | 50042G01P | N/A |
| 240 VAC | 50042G02P | N/A |
| Capacitor Trip 240 VAC | 50042G05P | N/A |

Table 33-1



Figure 33-1

| Auxiliary Components ID Guide | |
|-------------------------------|-----------------------|
| Character 15 | Description |
| X | No Options |
| A | 24 VDC 2nd trip coil |
| B | 48 VDC 2nd trip coil |
| C | 125 VDC 2nd trip coil |
| D | 250 VDC 2nd trip Coil |
| E | 120 VAC 2nd trip coil |
| F | 240 VAC 2nd trip coil |
| G | 240 VAC 2nd cap trip |
| J | 48 VDC UV device |
| K | 125 VDC UV device |
| L | 250 VDC UV device |
| M | 325 VDC UV device |
| N | 120 VAC 2nd Cap Trip |

Table 33-2



Wiring

| Standard Wiring Components (Determined by style and character 18) | |
|---|--------------------|
| Description | Catalog No. |
| Secondary Disconnect | 51702G01 |
| Auxiliary Switch | 102108LN |
| Latch Check Switch | BA-2RV2-A2 |
| Latch Check Switch Bracket | 50989G01 |
| Second Latch Check Switch | DT-2RV23-A7 |
| Motor Cut-off Switch Assembly | 50756G03P |
| Push-on Terminals | |
| Screw-on Terminals | |

Table 34-1

| Wiring Methods and Devices (Determined by character 18) | |
|---|--|
| Character 18 | Description |
| X | No Option |
| A | Non-Insulated ring lugs w/ terminal blocks for operating coils and motors |
| B | Trip coil monitoring wiring |
| C | Trip and close coil monitoring w/ terminal blocks and/or coil surge suppression wiring |
| D | Surge suppression on operating coil terminals w/ terminal blocks |
| J | UV non-interchangeability |

Table 34-2



Miscellaneous




| Miscellaneous Kits | | |
|----------------------------------|-------------|---|
| Description | Catalog No. | Illustration |
| PowlVac® Hardware Kit | 60500G24 |  |
| PowlVac® Lubrication Kit | Powlube-102 |  |
| Wheel Kit (4 Wheels and Pins) | |  |

Table 36-1