

8

7

6

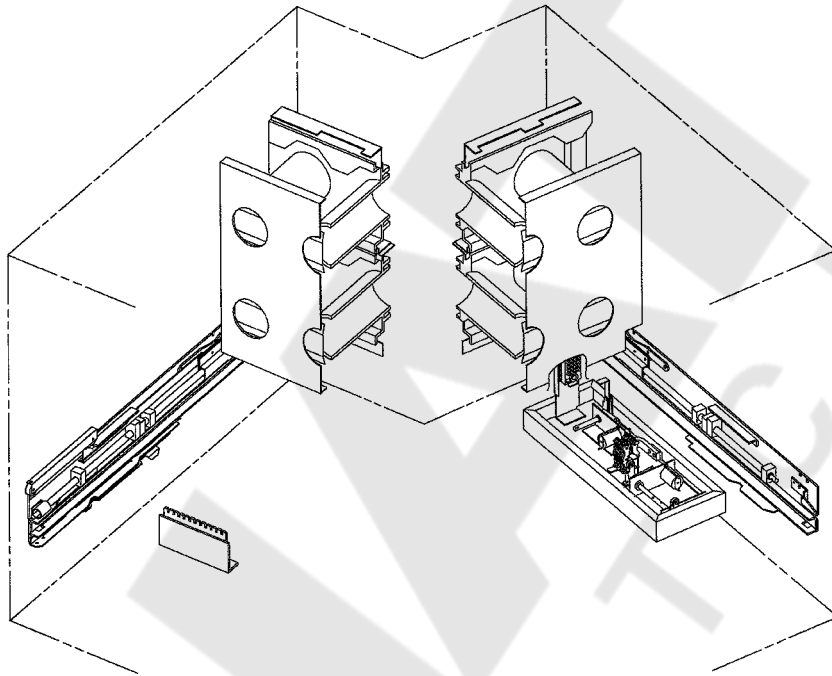
5

4

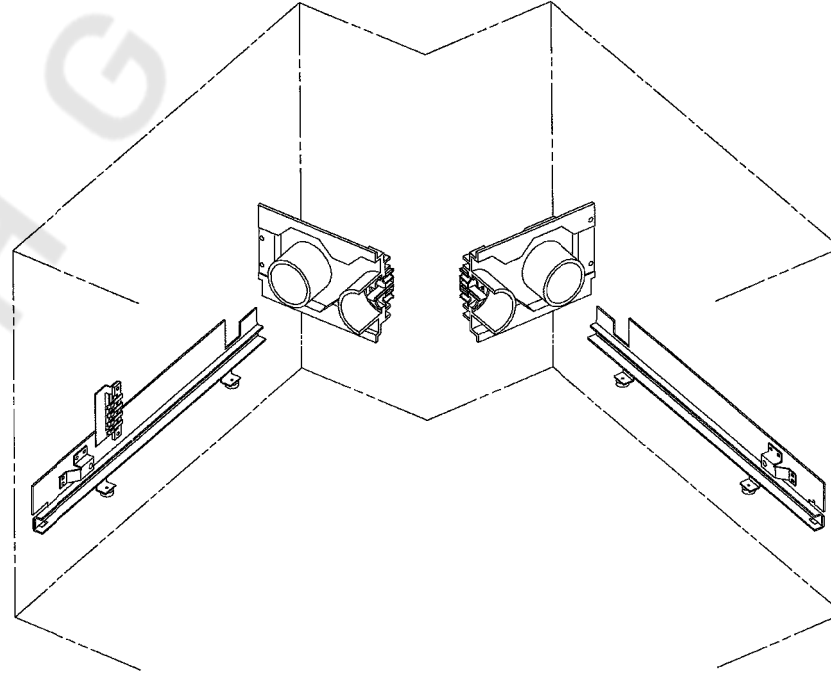
3

1

REVISIONS			
REV	DESCRIPTION	DATE	APPROVED



BREAKER COMPARTMENT KIT



ROLL-OUT COMPARTMENT KIT

D
 C
 B
 014402915 1

FOR INTERPRETATION OF DRAWINGS SEE 02B2A3025

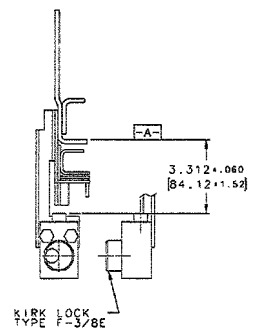
GE (USA) CONFIDENTIAL AND PROPRIETARY
 This GE document contains confidential and proprietary information of GE. Its disclosure, distribution or control by ED&C. It is issued on condition that it, and the information therein shall not be used by recipient nor be disclosed to others except as expressly approved by ED&C. Any document containing such information shall be returned on request.

UNLESS OTHERWISE SPECIFIED	SIGNATURES	DATE	 BURLINGTON, IA
DIMENSIONS ARE IN INCHES	DRAWN D.W. BOON	07/21/02	
TOLERANCES UNLESS OTHERWISE SPECIFIED	CHECKED		
1 P.L. DECIMALS 0.000	ENGINEER	04/23/02	TITLE
2 P.L. DECIMALS 0.000	ISSUED	5-19-02	2 HIGH POWER/VAC OEM INTERFACE
ANGLES 30°	W.E.	5-12-03	FIRST MADE FOR POWER/VAC OEM
FRACTIONS 1/16	D.W.	5-27-02	GENERATED
	DRAWING FILE	014402BIESHOI	DWG NO 014402915
	REFERENCE FILE		PL 15000

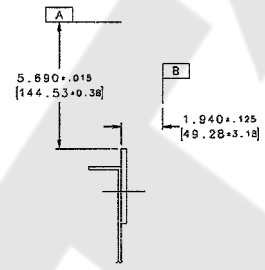
REVISIONS			
REV	DESCRIPTION	DATE	APPROVED

DIMENSIONS IN BRACKETS
ARE METRIC DIMENSIONS
IN MILLIMETERS

ALL UNTOLERANCED DIMENSIONS
EXCEPT THOSE MARKED (AS SHOWN)
ARE FOR REFERENCE ONLY

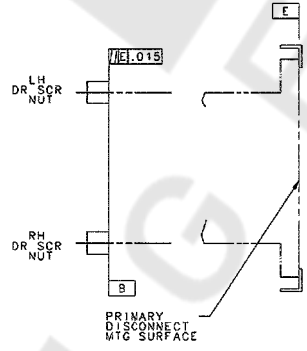


VIEW K



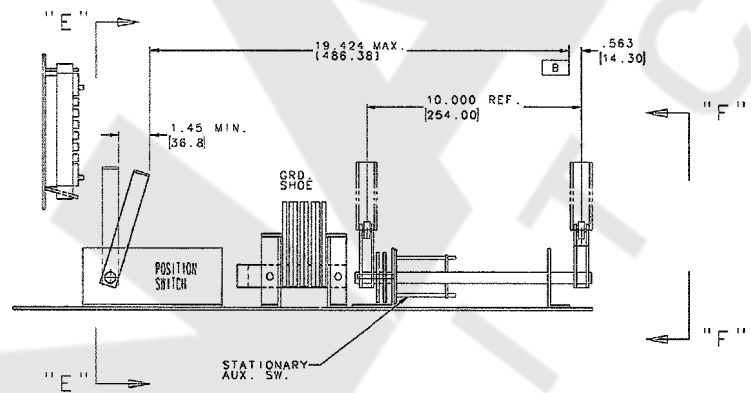
INTERFERENCE PLATE

VIEW "J-J"

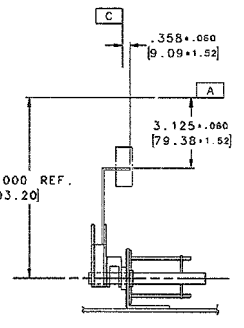


PRIMARY DISCONNECT
MITERED SURFACE

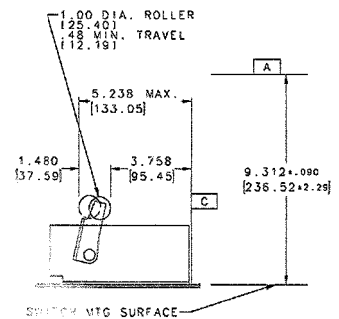
VIEW H



VIEW "L-L"
(PARTIAL)



VIEW "E-E"



SWITCH MITERED SURFACE

VIEW "F-F"

(FRONT)

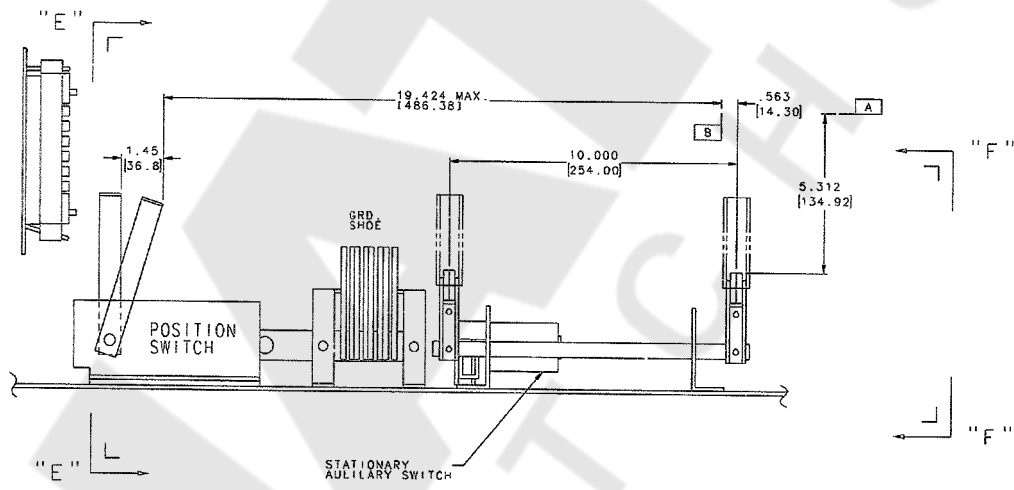
FOR NON-ROLL-IN BREAKER

UNLESS OTHERWISE SPECIFIED DIMENSIONS ARE IN INCHES TOLERANCES ON: 1 PL. DECIMALS ± .005 2 PL. DECIMALS ± .002 3 PL. DECIMALS ± .001 ANGLES 1°	SIGNATURES DRAWN D. H. DORN CHECKED ENGR. J. H. [Signature] ISSUED J. H. [Signature] REV. J. H. [Signature]	DATE 02/24/92 5-12-93 7-12-93	 BURLINGTON, IA OEM INTERFACE D GENERATED 014402915
--	--	--	---

FOR INTERPRETATION OF DRAWINGS SEE 0282A3025
GE (USA) CONFIDENTIAL AND PROPRIETARY
This GE document contains confidential and proprietary information of GE
Electric Distribution & Control (ED&C). It is loaned on condition that it
and the information therein shall not be used by recipient nor be disclosed
to others except as expressly approved by ED&C. Any document
containing such information shall be returned on request.

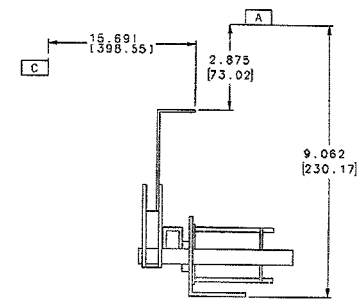
REVISIONS			
REV	DESCRIPTION	DATE	APPROVED

DIMENSIONS IN BRACKETS ARE METRIC DIMENSIONS IN MILLIMETERS

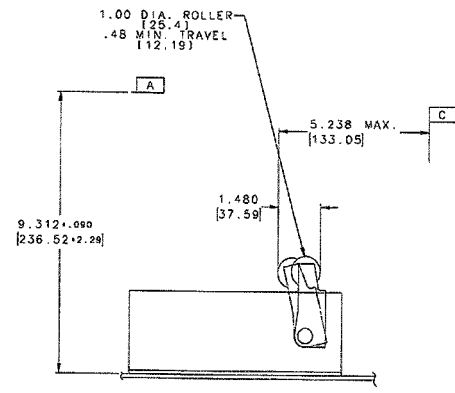


VIEW "L-L"
(PARTIAL)

FOR ROLL-IN BREAKER ONLY



VIEW "E-E"
(REAR)



VIEW "F-F"
(FRONT)

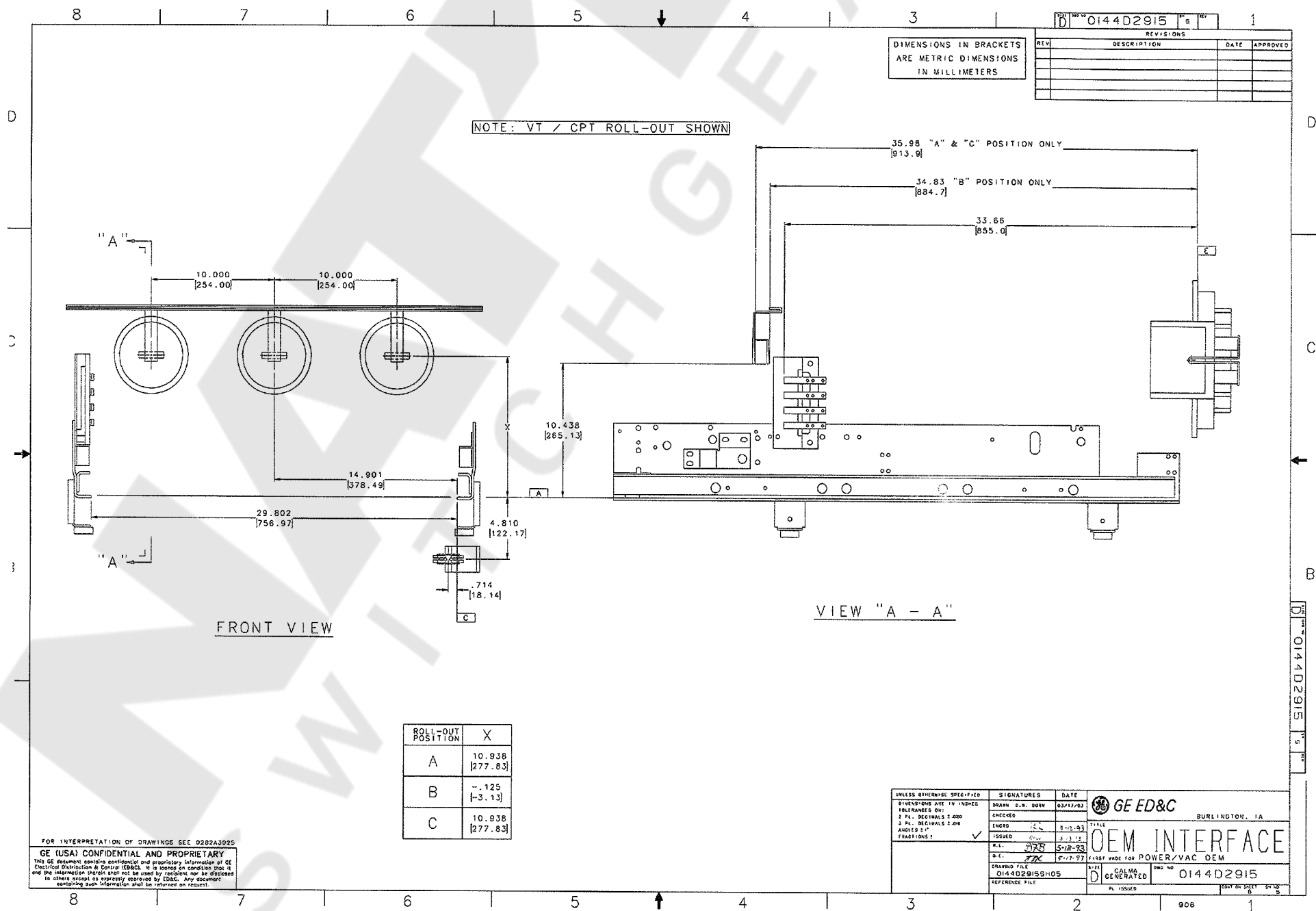
FOR INTERPRETATION OF DRAWINGS SEE 0282A3025
 GE (USA) CONFIDENTIAL AND PROPRIETARY
 This GE document contains confidential and proprietary information of GE. Reproduction, distribution or disclosure of this document is prohibited without the express written permission of GE. Any document containing such information shall be returned on request.

UNLESS OTHERWISE SPECIFIED DIMENSIONS ARE IN INCHES TOLERANCES ARE: 2 PL. DECIMALS ±.000 3 PL. DECIMALS ±.000 ANGLES ±.1° FRACTIONS: 1/16	SIGNATURES DRAWN D.T. BORN 03/28/93 CHECKED ENGRG. [Signature] 5-11-93 ISSUED [Signature] 5-11-93 W.E. [Signature] 5-11-93 D.L. [Signature] 5-11-93	DATE 03/28/93	GE ED&C BURLINGTON, IA TITLE OEM INTERFACE FIRST MADE FOR POWER/VAC OEM CALMA GENERATED 0144D2915 PL. ISSUED
---	---	------------------	---

REVISIONS			
REV	DESCRIPTION	DATE	APPROVED

DIMENSIONS IN BRACKETS
ARE METRIC DIMENSIONS
IN MILLIMETERS

NOTE: VT / CPT ROLL-OUT SHOWN



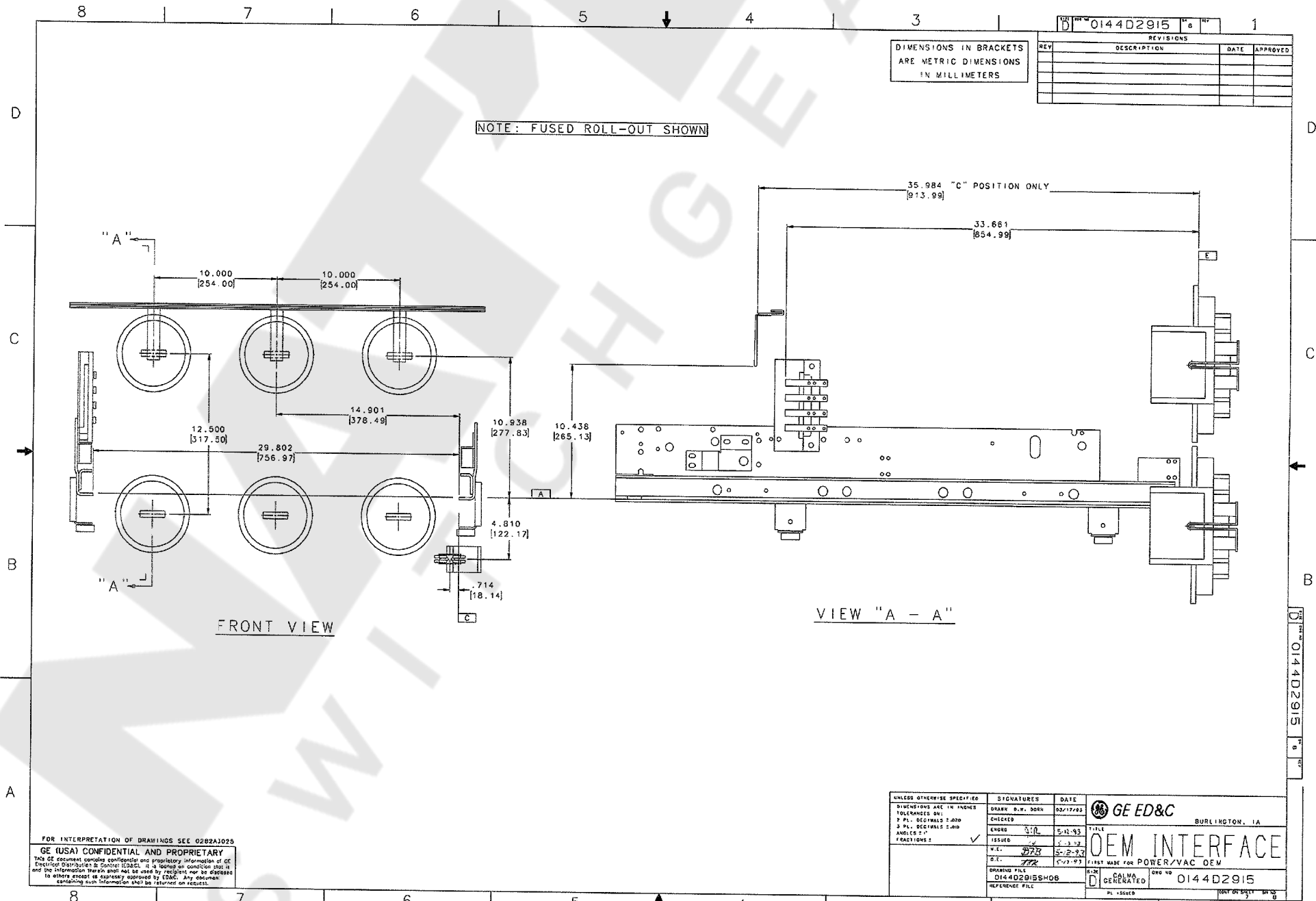
FOR INTERPRETATION OF DRAWINGS SEE 0282A3025
GE (USA) CONFIDENTIAL AND PROPRIETARY
 The GE document contains confidential and proprietary information of GE Electrical Distribution & Control (ED&C). It is loaned on condition that it and the information therein shall not be used by, disclosed nor be disclosed to others except as expressly approved by ED&C. Any document containing such information shall be returned on request.

UNLESS OTHERWISE SPECIFIED	SIGNATURES	DATE	 GE ED&C BURLINGTON, IA
DIMENSIONS ARE IN INCHES TOLERANCES ARE: 1. PL. DECIMALS ±.000 2. PL. DECIMALS ±.000 ANGLES ±1° FRACTIONS ±	DRWN: D.W. DORN ENGRD: J.L. ISSUED: 5-12-93 W.L.: JTB D.C.: JTC DRAWING FILE: 0144D2915S105 REFERENCE FILE:	03/17/93 5-12-93 5-12-93	

REVISIONS			
REV	DESCRIPTION	DATE	APPROVED

DIMENSIONS IN BRACKETS
ARE METRIC DIMENSIONS
IN MILLIMETERS

NOTE: FUSED ROLL-OUT SHOWN



FRONT VIEW

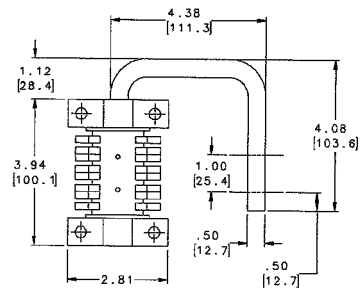
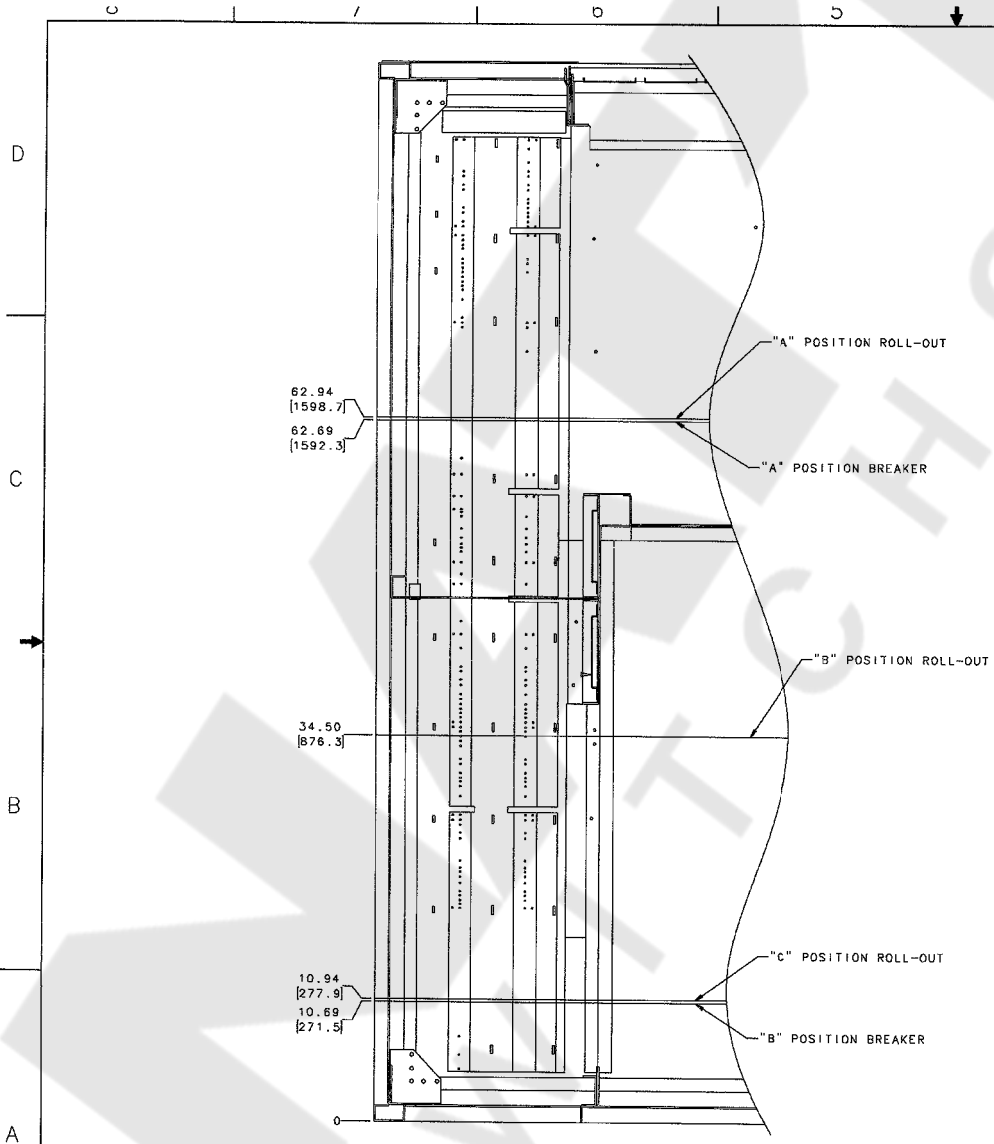
VIEW "A - A"

FOR INTERPRETATION OF DRAWINGS SEE 0282AJ025
GE (USA) CONFIDENTIAL AND PROPRIETARY
 THIS GE document contains confidential and proprietary information of GE
 Electric Distribution & Control (ED&C). It is to be kept in confidence and its
 and the information therein shall not be used by recipient nor be disclosed
 to others except as expressly approved by ED&C. Any document
 containing such information shall be returned on request.

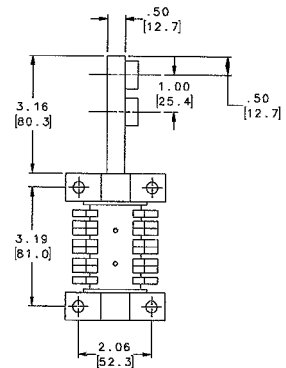
UNLESS OTHERWISE SPECIFIED: DIMENSIONS ARE IN INCHES TOLERANCES ARE: 2 PL. DECIMALS ±.000 3 PL. DECIMALS ±.000 ANGLES 5° FRACTIONS 1/16	SIGNATURES DRAWN: D.T. DOB CHECKED: [Signature] ENGR: [Signature] ISSUED: [Signature] W.E.: [Signature] D.T.: [Signature]	DATE 02/17/93 5-12-93 5-13-93 5-2-93 5-2-93	GE ED&C BURLINGTON, IA OEM INTERFACE FIRST MADE FOR POWER/VAC OEM	
	DRAWING FILE 014402915S08	6126 CALMA GENERATED	ORG NO 014402915	906
	REFERENCE FILE	PL. 155428	100% OR BEST SH. 0	1
	8	7	6	5

REV. 0144D2915			
REV	DESCRIPTION	DATE	APPROVED

DIMENSIONS IN BRACKETS
ARE METRIC DIMENSIONS
IN MILLIMETERS



STYLE "A"



STYLE "B"

BREAKER GROUND FINGER ASSEMBLY

HEIGHT LOCATION OF TRACKS IN
REFERENCE TO STANDARD POWER/VAC
2 HIGH OFFERING. FOR REFERENCE
ONLY. HEIGHTS SHOWN ARE TO DATUM -A-

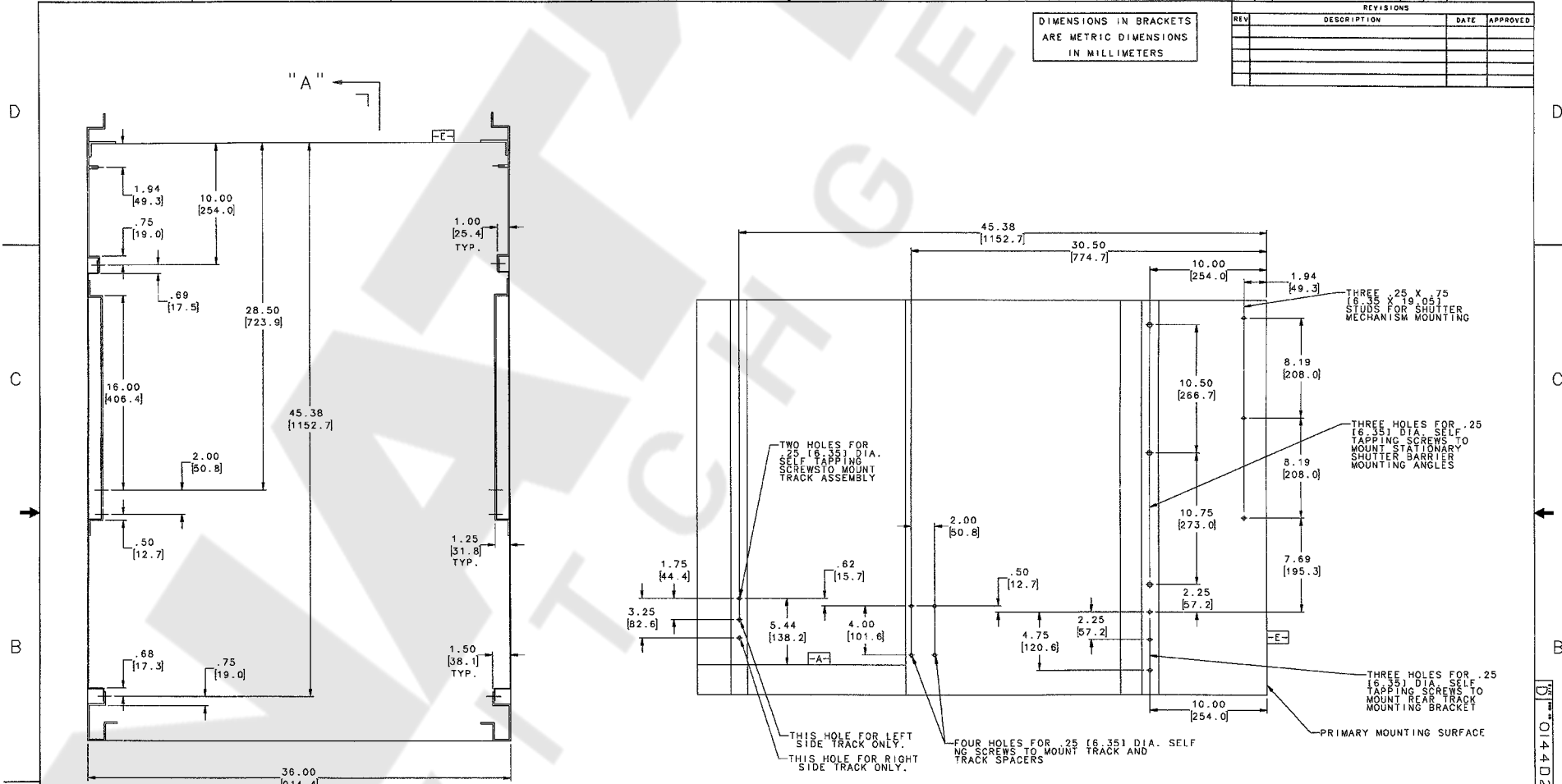
FOR INTERPRETATION OF DRAWINGS SEE 0282A3025
GE (USA) CONFIDENTIAL AND PROPRIETARY
This document contains confidential and proprietary information of GE
Electrical Distribution & Control (ED&C). It is loaned on condition that it
and the information therein shall not be used by recipient for its disclosure
to others except as expressly approved by ED&C. Any document
containing such information shall be returned on request.

UNLESS OTHERWISE SPECIFIED: DIMENSIONS ARE IN INCHES TOLERANCES ARE: 2 PL. DECIMALS ±.000 3 PL. DECIMALS ±.000 ANGLES ±1° FRACTIONS ±	SIGNATURES	DATE	 BURLINGTON, IA POWER/VAC KITS OEM INTERFACE <small>FAST MADE FOR POWER/VAC OEM</small>
	DRAWN D.W. OOM	10/10/97	
	CHECKED	5-12-93	
	ISSUED	5-13-93	
DESIGNED	5-12-93	DATE MADE FOR POWER/VAC OEM	
DRAWING FILE	0144D2915SH07	SHEET NO.	0144D2915
REFERENCE FILE		PL. ISSUED	906

D 0144D2915 B 1

REVISIONS			
REV	DESCRIPTION	DATE	APPROVED

DIMENSIONS IN BRACKETS
ARE METRIC DIMENSIONS
IN MILLIMETERS



SECTION "A-A"
COMPARTMENT KIT MOUNTING LOCATIONS
(TYPICAL, BOTH SIDES)

TOP VIEW
SHOWING COMPARTMENT
KIT MOUNTING LOCATIONS

FOR INTERPRETATION OF DRAWINGS SEE 0282A3025
GE (USA) CONFIDENTIAL AND PROPRIETARY
This GE document contains confidential and proprietary information of GE
Electrical Distribution & Control (ED&C). It is loaned on condition that it
and the information therein shall not be used by recipient, nor be disclosed
to others except as expressly approved by ED&C. Any document
containing such information shall be returned on request.

UNLESS OTHERWISE SPECIFIED	SIGNATURES	DATE	 BURLINGTON, I.A.
DIMENSIONS ARE IN INCHES TOLERANCES ON: 1 PL. DECIMALS 2.000 2 PL. DECIMALS 2.000 ANGLES 2° FRACTIONS 1/16	DRAWN: S.W. DORN CHECKED: ENGINEER: <i>HL</i> ISSUED: <i>JK</i> W.E.: <i>ZZ</i> D.L.: <i>ZZ</i>	03/25/83 5-12-83 5-12-83 5-12-83	
DRAWING FILE 0144D2915SH08	DWG NO 0144D2915	PL ISSUED	COPY ON FILE