



Power+™ Trip Unit Rating Plugs

Power Break® II Circuit Breakers

Function

Power+™ Trip Units are designed with UL-listed interchangeable Rating Plugs. These Rating Plugs change the per-unit (1X) continuous-current rating of the breaker. A circuit breaker equipped with a suitable Trip Unit and Rating Plug has a long-time trip current equal to the ampere rating marked on the Rating Plug times the LT setting on the Trip Unit.

For example, a breaker frame with a 1600 A sensor, an 800 A Rating Plug, and a long-time pickup switch setting of 1.0 has an 800 A continuous-current (long-time) rating.

Several Rating Plugs are available for each sensor rating and each Rating Plug is keyed for a particular sensor rating.

The catalog number structure for the available Rating Plugs for Power Break II insulated-case circuit breakers is listed in Table 1. See DEH-049, *Power+™ Trip Units User's Guide*, for a complete listing of all Rating Plug catalog numbers.

UL Label

The UL label is mounted on the side of the Rating Plug and is not visible when the Rating Plug is installed. The label lists the circuit breaker frames that will accept that Rating Plug.

Front Label

The front label, shown in Figure 1, is visible when the Rating Plug is installed. The items listed are:

- Sensor Rating (S) The ampere rating of the corresponding breaker frame.
- Rating Plug Amps (X) The Rating Plug continuous current in amperes.
- Test The test-jack receptacle is used with the Test Kit, catalog number TVRMS2, for overcurrent and ground-fault functional testing.
- Catalog Number Follows the format TRppCqqqq, as shown in Table 1.

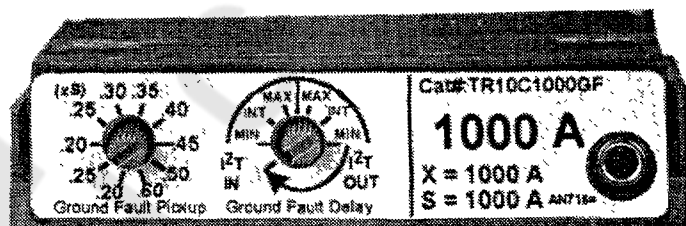


Figure 1. Rating Plug with ground-fault function.

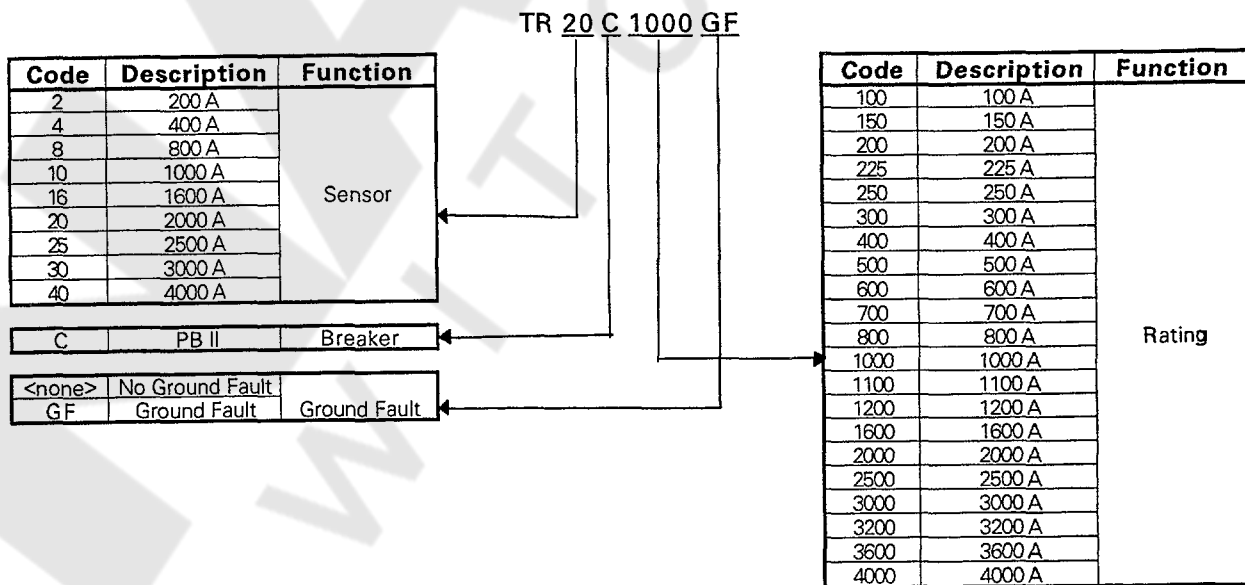


Table 1. Rating Plug catalog number structure