



APPLICATION:

Relaying and metering.

FREQUENCY:

50-400 Hz.

INSULATION LEVEL:

0.6 kV, BIL 10 kV full wave.

CONTINUOUS THERMAL CURRENT RATING FACTOR:

50:5-1200:5 2.0 at 30°C. amb., 1.5 at 55°C. amb.
and 2000:5

1500:5-1600:5 1.5 at 30°C. amb., 1.33 at 55°C. amb.
2500:5-3500:5

4000:5-5000:5 1.0 at 30°C. amb.

6000:5 0.8 at 30°C. amb.

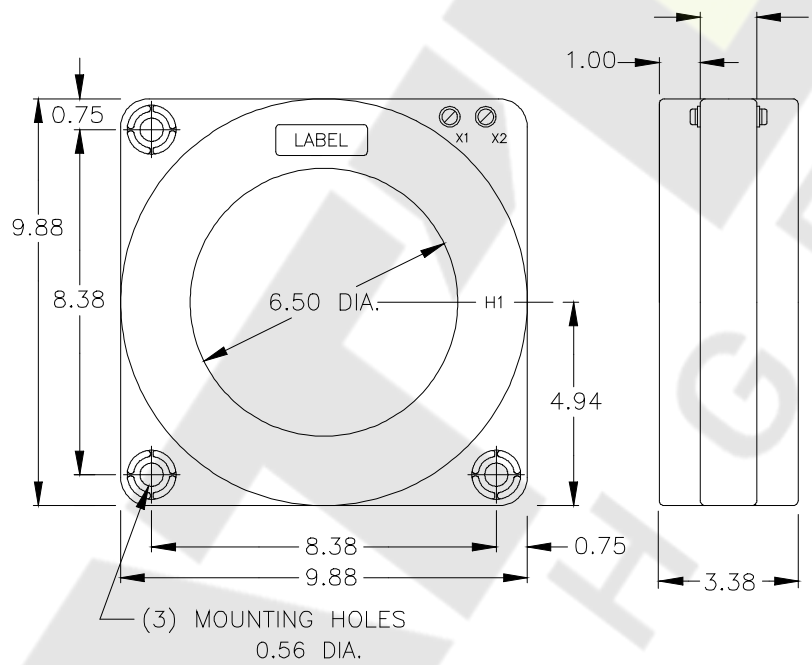
Secondary terminals are brass screws No.10-32
with one flatwasher, lockwasher and regular nut.

Approximate weight 30 lbs.

Excitation data available upon request.

CATALOG NUMBER	CURRENT RATIO	RELAY CLASS	ANSI METERING CLASS AT 60HZ				
			BO.1	BO.2	BO.5	BO.9	B1.8
780-500	50:5	-	4.8	-	-	-	-
780-750	75:5	C10	4.8	4.8	-	-	-
780-101	100:5	C10	1.2	2.4	4.8	-	-
780-151	150:5 *	C20	0.6	1.2	2.4	2.4	4.8
780-201	200:5 *	C20	0.6	0.6	1.2	2.4	4.8
780-251	250:5 *	C20	0.6	0.6	0.6	1.2	2.4
780-301	300:5 *	C20	0.3	0.6	0.6	1.2	2.4
780-401	400:5 *	C50	0.3	0.3	0.6	0.6	1.2
780-501	500:5 *	C50	0.3	0.3	0.3	0.6	0.6
780-601	600:5 *	C100	0.3	0.3	0.3	0.3	0.6
780-751	750:5 *	C100	0.3	0.3	0.3	0.3	0.6
780-801	800:5 *	C100	0.3	0.3	0.3	0.3	0.3
780-102	1000:5 *	C100	0.3	0.3	0.3	0.3	0.3
780-122	1200:5 *	C200	0.3	0.3	0.3	0.3	0.3
780-152	1500:5 *	C200	0.3	0.3	0.3	0.3	0.3
780-162	1600:5 *	C200	0.3	0.3	0.3	0.3	0.3
780-202	2000:5 *	C200	0.3	0.3	0.3	0.3	0.3
780-252	2500:5 *	C200	0.3	0.3	0.3	0.3	0.3
780-302	3000:5 *	C200	0.3	0.3	0.3	0.3	0.3
780-322	3200:5 *	C200	0.3	0.3	0.3	0.3	0.3
780-352	3500:5 *	C200	0.3	0.3	0.3	0.3	0.3
780-402	4000:5*	C200	0.3	0.3	0.3	0.3	0.3
780-502	5000:5*	C200	0.3	0.3	0.3	0.3	0.3
780-602	6000:5*	C200	0.3	0.3	0.3	0.3	0.3

Model 780



USA, Canada, Asia, Latin America

Tel: +1-800-547-8629

Fax: +1-905-201-2455

e-mail: sales.multilin@ge.com

Europe, Middle East, Africa

Tel: +34-94-485-88-00

Fax: +34-94-485-88-45

e-mail: gemultilin.euro@ge.com

Please refer to our website www.GEMultilin.com for more detailed contact information

CS00A40596 Rev. 1 03/09